

JRG valves with flange adapters



JRG valves with flange adapters

We are complementing our product line by adding below valves with pre-sealed flange adapters. These valves consist of an already established and well-proven valve (basic valve) and two screwed-in flange adapters.

The flange adapters on the JRG valves are pre-sealed with hemp and fully leak tested.

Please note that not every version is available in all dimensions. We would ask you to take further details from this documentation.

Your benefits

- You can use the flange adapters to connect components of similar or different materials
- You can reuse the loose flanges if you plan to extend your piping system
- Easy to install



The following items are available as valve with flange adapters:

Designation	Basic valve with female thread JRG Code	Valve with flange adapters JRG Code
Backflow preventer	1610	1614
Inclined filter	1812	1814
JRG LegioStop angle seat valve, without drain	5200	5204
JRG LegioStop angle seat valve, with drain	5221	5220
JRG LegioStop closable check valve, with connection for test and drain valves	5266	5264
JRG LegioStop straight valve, without drain	5350	5351
JRG LegioStop straight valve, with drain	5371	5374

Installation and use

Depending on the respective basic valve, the wetted parts of the JRG valves with flange adapters are made of gun-metal, stainless steel, EPDM or POM.

The valves come with the well-proven loose flanges made of PP/steel featuring pitch circle diameters according to EN 1092.

All above valves can be used for pressures up to 1,600 kPa (16 bars/PN16) and temperatures up to 90 °C. Each valve comes with two profiled flange gaskets made of EPDM.

Please note that the flange bolts are not included in the package. According to DVS 2210-1 bolts should protrude by 2 -3 thread grooves when using flange connections.

Thickness of washers:

DN 10 to DN 25 | 3 mm

DN 32 to DN 80 | 4 mm

Thickness of profiled gasket:

DN 10 to DN 40 | about 3 mm

DN 50 to DN 80 | about 4 mm

The following table is intended as a guide to determine the required bolt length.

Flange adapters



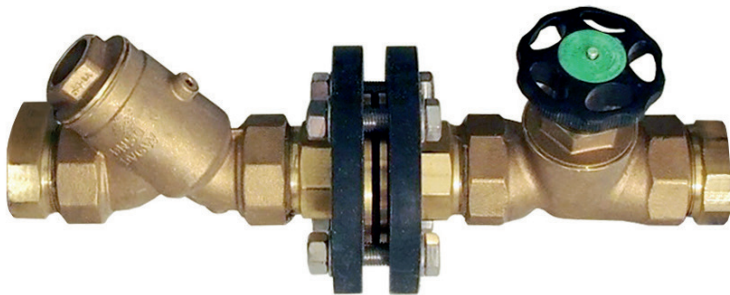
GN	DN	○	l ₁	l ₂
1	25	4x Ø14	21	24
1¼	32	4x Ø18	21.5	24.5
1½	40	4x Ø18	24	27
2	50	4x Ø18	26.5	30.5
2½	65	4x Ø18	27.5	31.5
3	80	8x Ø18	28	32

Tightening torque

GN	DN	Reference values for tightening torque [Nm]* when using the enclosed profiled gaskets
1	25	10
1¼	32	15
1½	40	15
2	50	20
2½	65	25
3	80	15

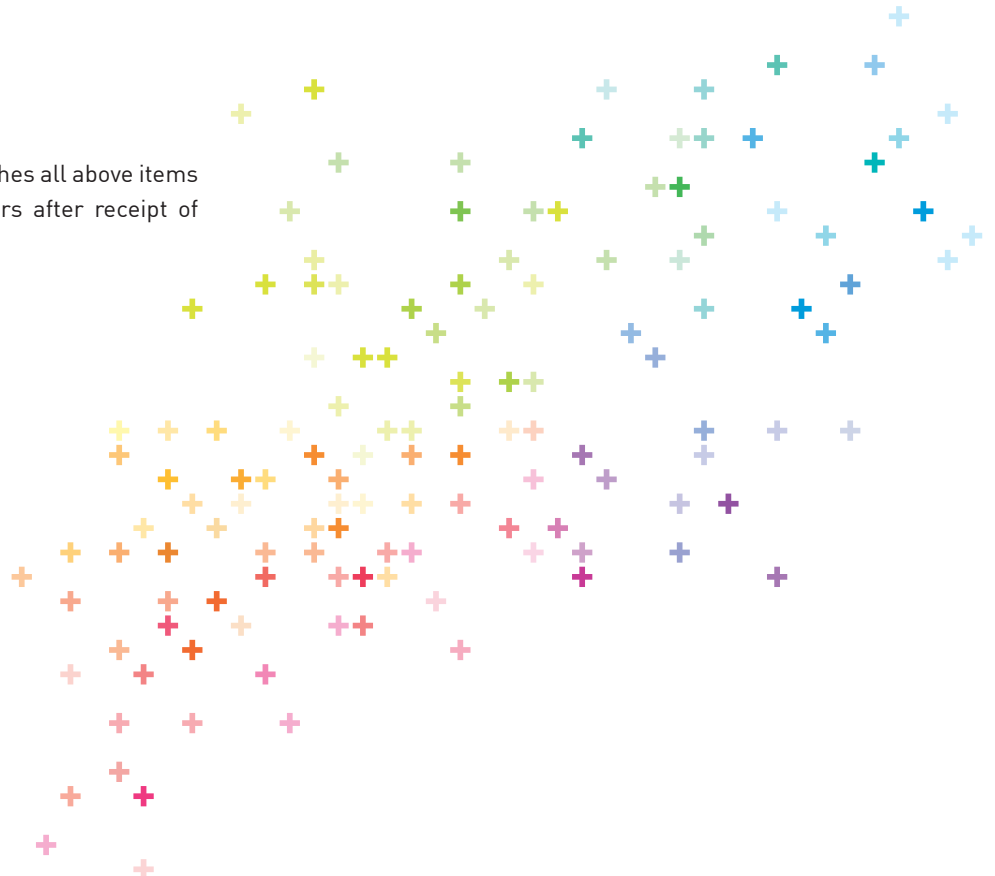
* GF recommends using given tightening torques. The given tightening torques ensure a sufficient tightness of the flange. They differ from the values stated in DVS 2210-1, Supplement 3, which are to be understood as upper limits (except DN65).

Installation example

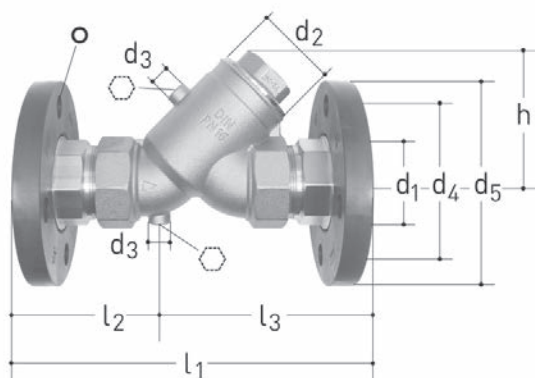


Availability

Georg Fischer JRG AG picks and dispatches all above items from its Sissach factory within 72 hours after receipt of order.



Specifications

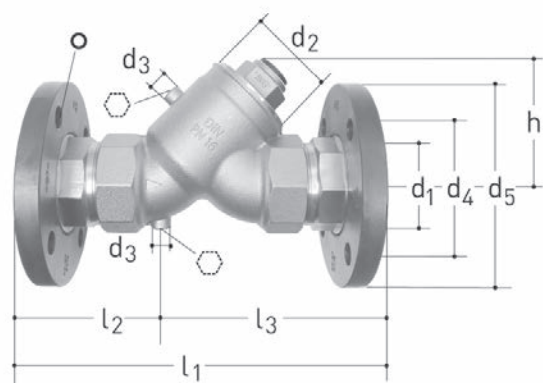


Return flow inhibitor, PN 16

with flanges, threaded connection for test and drain valve, closed with closure plug 5149, without test and drain valve, made of bronze, backing flange made of PP with steel ring, with profile flange gaskets made of EPDM*, stainless steel valve seat and closing spring, plastic return flow inhibitor, PPSU baffle, EPDM seals, for water up to 90°C, opening pressure less than 50 mbar, tested according to DIN EN 13959, noise tested, valve sound group 1.

* EPDM gaskets must not be oiled or greased.

JRG Code	GF Code	DN / d_1	d_2	d_3	d_4	d_5	h	l_1	l_2	l_3	O	\square	kg
1614.040	350898304	40	G 1½	Rp ¼	110	150	90.5	229	94	135	4x Ø18	6	4.239
1614.050	350898305	50	G 2	Rp ¼	125	165	107	262	104	158	4x Ø18	6	6.660



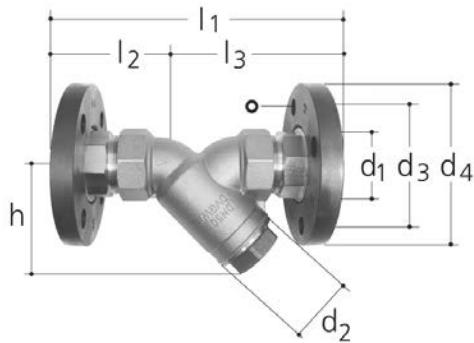
Return flow inhibitor, PN 16

with flanges, threaded connection for test and drain valve, closed with closure plug 5149, without test and drain valve, made of bronze, backing flange made of PP with steel ring, with profile flange gaskets made of EPDM*, stainless steel valve seat and closing spring, plastic return flow inhibitor, PPSU baffle, EPDM seals, for water up to 90°C, opening pressure less than 50 mbar, tested according to DIN EN 13959, noise tested, valve sound group 1.

* EPDM gaskets must not be oiled or greased.

JRG Code	GF Code	DN / d_1	d_2	d_3	d_4	d_5	h	l_1	l_2	l_3	O	\square	kg
1614.065	350898306	65	G 2½	Rp ¼	145	185	116	296	109.5	186.5	4x Ø18	6	9.460

Specifications

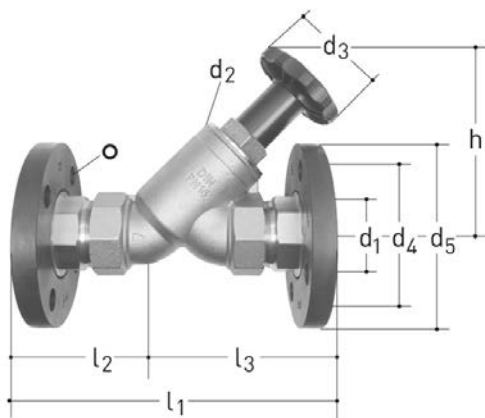


Slanted filter, PN 16

made of gunmetal, with flanges, with profile flange gaskets made of EPDM*, backing flange made of PP with steel ring, large surface strainer, made of stainless steel mesh, for water, air, etc. up to 100°C.

* EPDM gaskets must not be oiled or greased.

JRG Code	GF Code	DN / d ₁	d ₂	d ₃	d ₄	h	l ₁	l ₂	l ₃	○	µm	kg
1814.040	350871340	40	G 1½	110	150	89	229	94	135	4x Ø18	250	4.170
1814.050	350871350	50	G 2	125	165	110.5	262	104	158	4x Ø18	250	6.580
1814.065	350871365	65	G 2½	145	185	122	296	109.5	186.5	4x Ø18	560	9.640
1814.080	350871380	80	G 3	160	200	136	333	121.5	211.5	8x Ø18	560	12.690



Y-type valve JRG LegioStop, PN 16, without drain

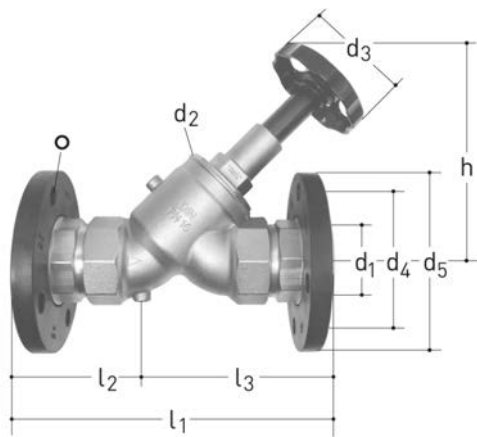
with flanges, with free of death traps and maintenance-free JRG LegioStop top made of bronze, grinded non-rising valve stem and seat made of stainless steel, EPDM seals, plastic handwheel, backing flange made of PP with steel ring, with profile flange gaskets made of EPDM*, for water up to 90°C.

Tested according to DIN EN 1213, noise tested, valve sound group 1.

* EPDM gaskets must not be oiled or greased.

JRG Code	GF Code	DN / d ₁	d ₂	d ₃	d ₄	d ₅	h	l ₁	l ₂	l ₃	○	kg
5204.025	350895726	25	G 1	60	85	115	116.5	188	81.5	106.5	4x Ø14	2.537
5204.032	350895727	32	G 1¼	70	100	140	130	213	90	123	4x Ø18	3.508
5204.040	350895728	40	G 1½	90	110	150	147.5	229	94	135	4x Ø18	4.548
5204.050	350895729	50	G 2	90	125	165	169	262	104	158	4x Ø18	7.081

Specifications



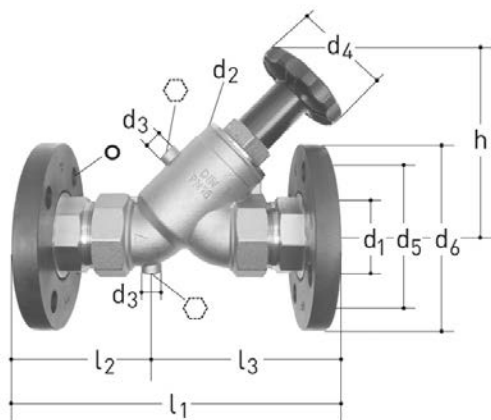
Y-type valve JRG LegioStop, PN 16, without drain

with flanges, with free of death traps and maintenance-free JRG LegioStop top made of bronze, grinded rising valve stem and seat made of stainless steel, EPDM seals, metal handwheel, backing flange made of PP with steel ring, with profile flange gaskets made of EPDM*, for water up to 90°C.

Tested according to DIN EN 1213, noise tested, valve sound group 1.

* EPDM gaskets must not be oiled or greased.

JRG Code	GF Code	DN / d ₁	d ₂	d ₃	d ₄	d ₅	h	l ₁	l ₂	l ₃	O	kg
5204.065	350895730	65	G 2½	120	145	185	259.5	296	109.5	186.5	4x Ø18	10.350
5204.080	350895731	80	G 3	120	160	200	277	333	121.5	211.5	8x Ø18	13.025



Y-type valve JRG LegioStop, PN 16, with drain

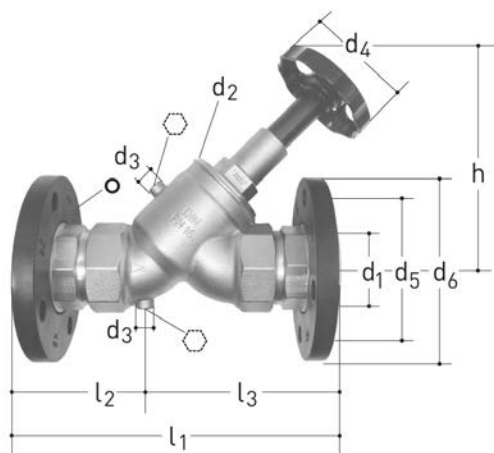
with flanges, with free of death traps and maintenance-free JRG LegioStop top, threaded connection for drain valve, closed with closure plug 5149, without drain valve, made of bronze, grinded non-rising valve stem and seat made of stainless steel, EPDM seals, plastic handwheel, backing flange made of PP with steel ring, with profile flange gaskets made of EPDM*, for water up to 90°C.

Tested according to DIN EN 1213, noise tested, valve sound group 1.

* EPDM gaskets must not be oiled or greased.

JRG Code	GF Code	DN / d ₁	d ₂	d ₃	d ₄	d ₅	d ₆	h	l ₁	l ₂	l ₃	O	⊕	kg
5220.025	350895526	25	G 1	Rp ¼	60	85	115	116.5	188	81.5	106.5	4x Ø14	6	2.559
5220.032	350895527	32	G 1¼	Rp ¼	70	100	140	130	213	90	123	4x Ø18	6	3.529
5220.040	350895528	40	G 1½	Rp ¼	90	110	150	147.5	229	94	135	4x Ø18	6	4.569
5220.050	350895529	50	G 2	Rp ¼	90	125	165	169	262	104	158	4x Ø18	6	7.100

Specifications

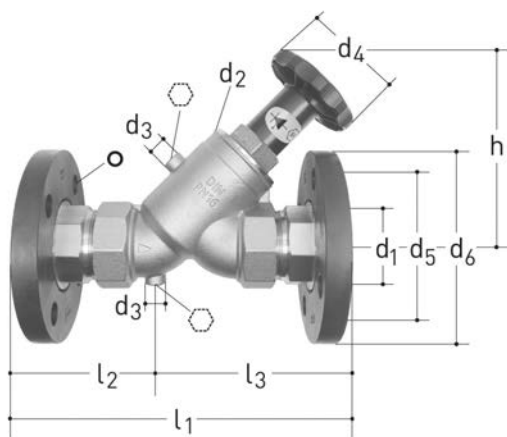


Y-type valve JRG LegioStop, PN 16, with drain

with flanges, PN 16, with free of death traps and maintenance-free JRG LegioStop top, threaded connection for drain valve, closed with closure plug 5149, without drain valve, made of bronze, grinded rising valve stem and seat made of stainless steel, EPDM seals, metal handwheel, backing flange made of PP with steel ring, with profile flange gaskets made of EPDM*, for water up to 90°C. Tested according DIN EN 1213, noise tested, valve sound group 1.

* EPDM gaskets must not be oiled or greased.

JRG Code	GF Code	DN / d1	d2	d3	d4	d5	d6	h	l1	l2	l3	○	⬡	kg
5220.065	350895936	65	G 2½	Rp ¼	120	145	185	259.5	296	109.5	186.5	4x Ø18	6	10.365
5220.080	350895937	80	G 3	Rp ¼	120	160	200	277	333	121.5	211.5	8x Ø18	6	13.040



Check valve, closable, JRG LegioStop, PN 16,

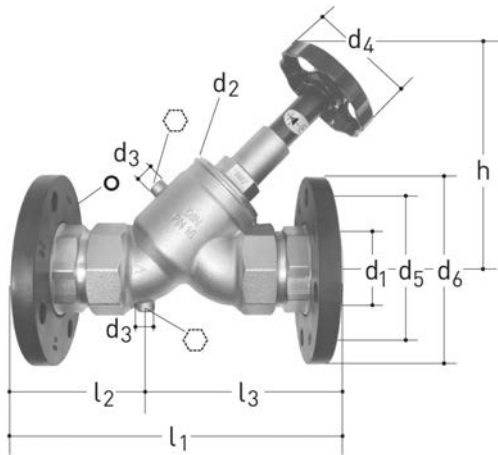
with flanges, with free of death traps and maintenance-free JRG LegioStop top, threaded connection for test and drain valve, closed with closure plug 5149, without test and drain valve, made of bronze, grinded non-rising valve stem and seat made of stainless steel, PPSU baffle as plastic return flow inhibitor, EPDM seals, plastic handwheel, backing flange made of PP with steel ring, with profile flange gaskets made of EPDM*, for water up to 90°C.

Tested according DIN EN 1213/DIN EN 13959, noise tested, valve sound group 1.

* EPDM gaskets must not be oiled or greased.

JRG Code	GF Code	DN / d1	d2	d3	d4	d5	d6	h	l1	l2	l3	○	⬡	kg
5264.025	350818718	25	G 1	Rp ¼	60	85	115	117	188	82	107	4x Ø14	6	2.520
5264.032	350818719	32	G 1½	Rp ¼	70	100	140	130	213	90	123	4x Ø18	6	3.490
5264.040	350818720	40	G 1½	Rp ¼	90	110	150	148	229	94	135	4x Ø18	6	4.540
5264.050	350818721	50	G 2	Rp ¼	90	125	165	169	262	104	158	4x Ø18	6	6.960

Specifications



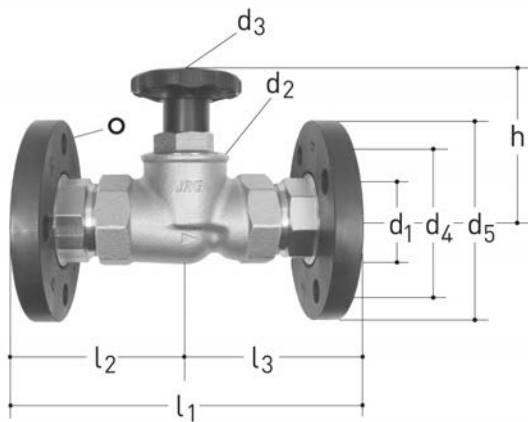
Straight seat valve JRG LegioStop, PN 16

with flanges, with free of death traps and maintenance-free JRG LegioStop top, threaded connection for test and drain valve, closed with closure plug 5149, without test and drain valve, made of bronze, grinded rising valve stem and seat made of stainless steel, EPDM seals, metal handwheel, backing flange made of PP with steel ring, with profile flange gaskets made of EPDM*, for water up to 90°C.

Tested according to DIN EN 1213/DIN EN 13959.

* EPDM gaskets must not be oiled or greased.

JRG Code	GF Code	DN / d ₁	d ₂	d ₃	d ₄	d ₅	d ₆	h	l ₁	l ₂	l ₃	○	⬡	kg
5264.065	350818722	65	G 2½	Rp ¼	120	145	185	260	296	110	186	4x Ø18	6	10.360



Straight seat valve JRG LegioStop, PN 16, without drain

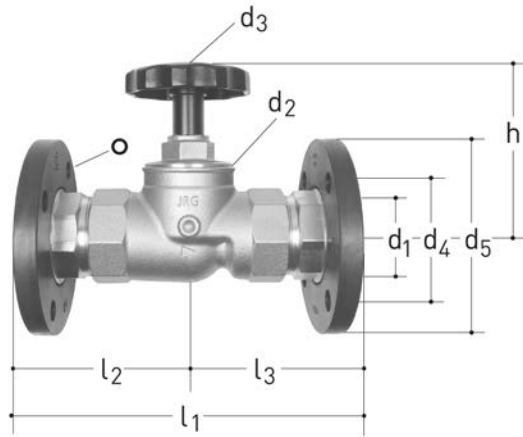
Made of bronze, grinded rising valve stem and seat made of stainless steel, EPDM seals, metal handwheel, backing flange made of PP with steel ring, with profile flange gaskets made of EPDM*, for water up to 90°C.

Tested according to DIN EN 1213, noise tested, valve sound group 1.

* EPDM gaskets must not be oiled or greased.

JRG Code	GF Code	DN / d ₁	d ₂	d ₃	d ₄	d ₅	h	l ₁	l ₂	l ₃	○	kg
5351.025	350895847	25	G 1	60	85	115	89	188	94	94	4x Ø14	2.370
5351.032	350895848	32	G 1¼	70	100	140	98	208	104	104	4x Ø18	3.420
5351.040	350895849	40	G 1½	90	110	150	110	229	114.5	114.5	4x Ø18	4.590
5351.050	350895850	50	G 2	90	125	165	123	252	126	126	4x Ø18	6.890

Specifications



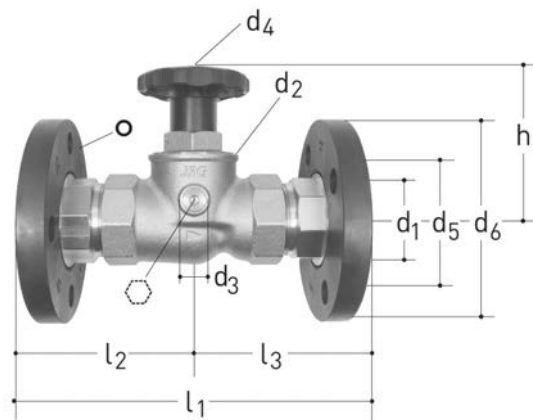
Straight seat valve JRG LegioStop, PN 16, without drain

with flanges, with cavity-free and maintenance-free JRG LegioStop top. Made of bronze, grinded rising valve stem and seat made of stainless steel, EPDM seals, metal handwheel, backing flange made of PP with steel ring, with profile flange gaskets made of EPDM*, for water up to 90°C.

Tested according to DIN EN 1213, noise tested, valve sound group 1.

* EPDM gaskets must not be oiled or greased.

JRG Code	GF Code	DN / d ₁	d ₂	d ₃	d ₄	d ₅	h	l ₁	l ₂	l ₃	○	kg
5351.065	350895851	65	G 2½	120	145	185	161.5	296	148	148	4x Ø18	10.075



Straight seat valve JRG LegioStop, PN 16, with drain

with flanges, PN 16, with free of death traps and maintenance-free JRG LegioStop top. Threaded connection for drain valve at the side, closed with closure plug 5149, without drain valve. Made of bronze, grinded non-rising valve stem and seat made of stainless steel, EPDM seals, plastic handwheel, backing flange made of PP with steel ring, with profile flange gaskets made of EPDM, for water up to 90°C.

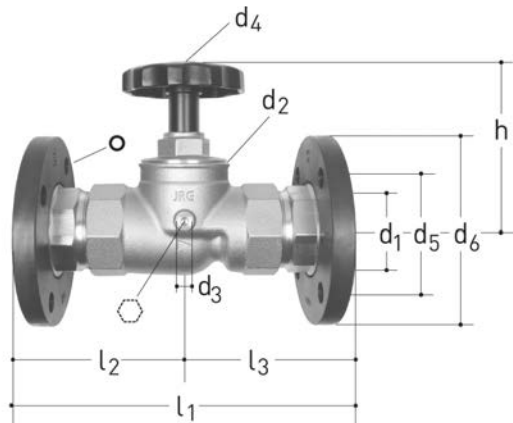
Tested according to DIN EN 1213, noise tested, valve sound group 1,

Shut-off valve top q.v. 5395, drain valve q.v. 7301.080

* EPDM gaskets must not be oiled or greased.

JRG Code	GF Code	DN / d ₁	d ₂	d ₃	d ₄	d ₅	d ₆	h	l ₁	l ₂	l ₃	○	⬡	kg
5374.025	350895852	25	G 1	Rp ¼	60	85	115	90	188	94	94	4x Ø14	6	2.390
5374.032	350895853	32	G 1¼	Rp ¼	70	100	140	105	208	104	104	4x Ø18	6	3.465
5374.040	350895854	40	G 1½	Rp ¼	90	110	150	120	229	114.5	114.5	4x Ø18	6	4.605
5374.050	350895855	50	G 2	Rp ¼	90	125	165	140	252	126	126	4x Ø18	6	6.165

Specifications



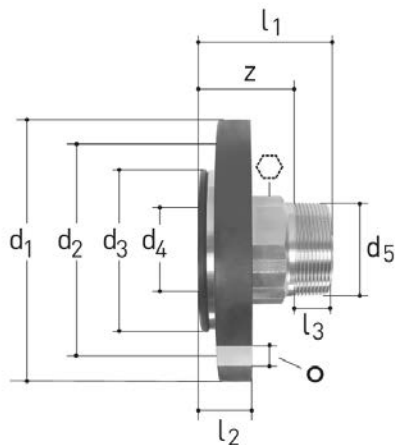
Straight seat valve JRG LegioStop, PN 16, without drain

with flanges, PN 16, with free of death traps and maintenance-free JRG LegioStop top. Threaded connection for drain valve at the side, closed with closure plug 5149, without drain valve. Made of bronze, grinded rising valve stem and seat made of stainless steel, EPDM seals, metal handwheel, backing flange made of PP with steel ring, with profile flange gaskets made of EPDM*, for water up to 90°C.

Tested according DIN EN 1213, noise tested, valve sound group 1.

* EPDM gaskets must not be oiled or greased.

JRG Code	GF Code	DN / d1	d2	d3	d4	d5	d6	h	l1	l2	l3	○	⬡	kg
5374.065	350895856	65	G 2½	Rp ¼	120	145	185	161.5	296	148	148	4x Ø18	6	8.660



Flange adapter set

made of gunmetal, backing flange made of PP with steel ring, according SN EN 1092, with profile flange gasket made of EPDM*.

* EPDM gaskets must not be oiled or greased.

JRG Code	GF Code	GN	DN	d1	d2	d3	d4	d5	l1	l2	l3	z	○	⬡	kg
8230.025	350331925	1	25	115	85	68	25	R 1	66	24	17	49	4x Ø14	32	0.800
8230.032	350332032	1¼	32	140	100	78	37	R 1¼	70.5	24.5	19	51.5	4x Ø18	40	1.120
8230.040	350332140	1½	40	150	110	88	43	R 1½	73.5	27	19	54.5	4x Ø18	50	1.440
8230.050	350332250	2	50	165	125	102	55	R 2	79.5	30.5	23.5	56	4x Ø18	65	2.220
8230.065	350332365	2½	65	185	145	122	66	R 2½	84.5	31.5	26.5	58	4x Ø18	80	3.080
8230.080	350332480	3	80	200	160	138	81	R 3	91	32	29.5	62	8x Ø18	95	3.630

Worldwide at home

Our sales companies and representatives ensure local customer support in over 100 countries.

www.gfps.com

Argentina / Southern South America

Georg Fischer Central Plastics
Sudamérica S.R.L.
Buenos Aires, Argentina
Phone +5411 4512 02 90
Fax +5411 4512 02 93
gfcentral.ps.ar@georgfischer.com
www.gfps.com/ar

Australia

George Fischer Pty Ltd
Riverwood NSW 2210
Phone +61 (0)2 9502 8000
Fax +61 (0)2 9502 8090
australia.ps@georgfischer.com
www.gfps.com/au

Austria

Georg Fischer Rohrleitungssysteme GmbH
3130 Herzogenburg
Phone +43 (0) 2782 856 43 0
Fax +43 (0) 2782 856 64
austria.ps@georgfischer.com
www.gfps.com/at

Belgium / Luxembourg

Georg Fischer NV/SA
1070 Bruxelles/Brüssel, Belgium
Phone +32 (0)2 556 40 20
Fax +32 (0)2 524 34 26
be.ps@georgfischer.com
www.gfps.com/be

Brazil

Georg Fischer Sist. de Tub. Ltda.
04571-020 São Paulo/SP
Phone +55 (0)11 5525 1311
br.ps@georgfischer.com
www.gfps.com/br

Canada

Georg Fischer Piping Systems Ltd
Mississauga, ON L5T 2B2
Phone +1 (905) 670 8005
Fax +1 (905) 670 8513
ca.ps@georgfischer.com
www.gfps.com/ca

China

Georg Fischer Piping Systems Ltd
201319 Shanghai
Phone +86 21 3899 3899
Fax +86 21 3899 3888
china.ps@georgfischer.com
www.gfps.com/cn

Denmark / Iceland

Georg Fischer A/S
2630 Taastrup, Denmark
Phone +45 (0) 7022 1975
Fax +45 (0) 7022 1976
info.dk.ps@georgfischer.com
www.gfps.com/dk

Finland

Georg Fischer AB
01510 Vantaa
Phone +358 (0)9 586 58 25
Fax +358 (0)9 586 58 29
info.fi.ps@georgfischer.com
www.gfps.com/fi

France

Georg Fischer SAS
95932 Roissy Charles de Gaulle Cedex
Phone +33 (0)1 41 84 68 84
Fax. +33 (0)1 41 84 68 85
fr.ps@georgfischer.com
www.gfps.com/fr

Germany

Georg Fischer GmbH
73095 Albershausen
Phone +49 (0)7161 302 0
Fax +49 (0)7161 302 25 9
info.de.ps@georgfischer.com
www.gfps.com/de

India

Georg Fischer Piping Systems Pvt. Ltd.
400 076 Powai, Mumbai
Phone +91 22 4007 2001
Fax +91 22 4007 2020
branchoffice@georgfischer.com
www.gfps.com/in

Indonesia

Georg Fischer Representative Office
10310 Jakarta
Phone +62 21 391 48 62
Fax +62 21 391 48 63
sgp.ps@georgfischer.com
www.gfps.com/sg

Italy

Georg Fischer S.p.A.
20063 Cernusco S/N (MI)
Phone +39 02 921 86 1
Fax +39 02 921 86 24 7
it.ps@georgfischer.com
www.gfps.com/it

Japan

Georg Fischer Ltd
556-0011 Osaka
Phone +81 (0)6 6635 2691
Fax +81 (0)6 6635 2696
jp.ps@georgfischer.com
www.gfps.com/jp

Korea

Georg Fischer Piping Systems
463-824 Seoul
Phone +82 31 8017 1450 3
Fax +82 31 8017 1454
kor.ps@georgfischer.com
www.gfps.com/kr

Malaysia

George Fischer (M) Sdn. Bhd. Sales Office
40460 Shah Alam, Selangor Darul Ehsan
Phone +60 (0)3 5122 5585
Fax +60 (0)3 5122 5575
my.ps@georgfischer.com
www.gfps.com/my

Mexico / Northern Latin America

Georg Fischer S.A. de C.V.
Apodaca, Nuevo Leon, Mexico
Phone +52 (81) 1340 8586
Fax +52 (81) 1522 8906
mx.ps@georgfischer.com
www.gfps.com/mx

Middle East

Georg Fischer
Piping Systems (Switzerland) Ltd
Dubai, United Arab Emirates
Phone +971 4 289 49 60
Fax +971 4 289 49 57
gss.ps@georgfischer.com
www.gfps.com/int

Netherlands

Georg Fischer N.V.
8161 PA Epe
Phone +31 (0) 578 678 222
Fax +31 (0) 578 621 768
nl.ps@georgfischer.com
www.gfps.com/nl

New Zealand

Georg Fischer Ltd
5140 Upper Hutt
Phone +64 (0) 4 527 9813
Fax +64 (0) 4 527 9834
nz.ps@georgfischer.com
www.gfps.com/nz

Norway

Georg Fischer AS
1351 Rud
Phone +47 67 18 29 00
Fax +47 67 13 92 92
no.ps@georgfischer.com
www.gfps.com/no

Philippines

Georg Fischer Representative Office
1604 Pasig City
Phone +632 571 2365
Fax +632 571 2368
sgp.ps@georgfischer.com
www.gfps.com/sg

Poland

Georg Fischer Sp. z o.o.
05 090 Sekocin Nowy
Phone +48 (0)22 3131 050
Fax +48 (0)22 3131 060
poland.ps@georgfischer.com
www.gfps.com/pl

Romania

Georg Fischer Rohrleitungssysteme (Elvetia)
S.A. SUCURSALA BUCURESTI
020257 Bucuresti
Phone +40 311 040 492
Fax +40 212 317 479
ro.ps@georgfischer.com
www.gfps.com/int

Russia

Georg Fischer
Piping Systems (Switzerland) Ltd
Moscow Representative Office
125040 Moscow
Phone +7 495 748 11 44
ru.ps@georgfischer.com
www.gfps.com/ru

Singapore

Georg Fischer Pte Ltd
528 872 Singapore
Phone +65 6747 0611
Fax +65 6747 05 77
sgp.ps@georgfischer.com
www.gfps.com/sg

Spain / Portugal

Georg Fischer S.A.
28046 Madrid
Phone +34 (0) 91 781 98 90
Fax +34 (0) 91 426 08 23
es.ps@georgfischer.com
www.gfps.com/es

Sweden

Georg Fischer AB
11743 Stockholm
Phone +46 (0) 8 506 77 50 0
Fax +46 (0) 8 749 23 70
info.se.ps@georgfischer.com
www.gfps.com/se

Switzerland

Georg Fischer
Rohrleitungssysteme (Schweiz) AG
8201 Schaffhausen
Phone +41 (0)52 631 30 26
Fax +41 (0)52 631 28 00
ch.ps@georgfischer.com
www.gfps.com/ch

Taiwan

Georg Fischer Co. Ltd.
24158 New Taipei City
Phone +886 2 8512 2822
Fax +886 2 8512 2823
tw@georgfischer.com
www.gfps.com/tw

Turkey

Georg Fischer Hakan Plastik
Boru ve Profil San. Tic. A.S.
59500 Cerkezkooy / Tekirdag
Phone +90 282 726 64 43
Fax +90 282 726 94 67
hpsales@hakan.com.tr
www.hakan.com.tr

United Kingdom / Ireland

Georg Fischer Sales Ltd
CV2 2ST Coventry, United Kingdom
Phone +44 (0) 2476 535 535
Fax +44 (0) 2476 530 450
uk.ps@georgfischer.com
www.gfps.com/uk

USA / Caribbean

Georg Fischer LLC
92618 Irvine
Phone +1 714 731 88 00
Fax +1 714 731 62 01
Toll Free 800/854 40 90
us.ps@georgfischer.com
www.gfpiping.com

International

Georg Fischer
Piping Systems (Switzerland) Ltd
8201 Schaffhausen/Switzerland
Phone +41 (0) 52 631 30 03
Fax +41 (0) 52 631 28 93
info.export@georgfischer.com
www.gfps.com/int

The technical data are not binding. They neither constitute expressly warranted characteristics nor guaranteed properties nor a guaranteed durability. They are subject to modification. Our General Terms of Sale apply.



37 263 62

0.1 (6.16) DH

© Georg Fischer JRG AG

Hauptstrasse 130

CH-4450 Sissach/Switzerland

Telefon +41 (0) 61 975 22 22<

info.jrg.ps@georgfischer.com

Printed in Switzerland