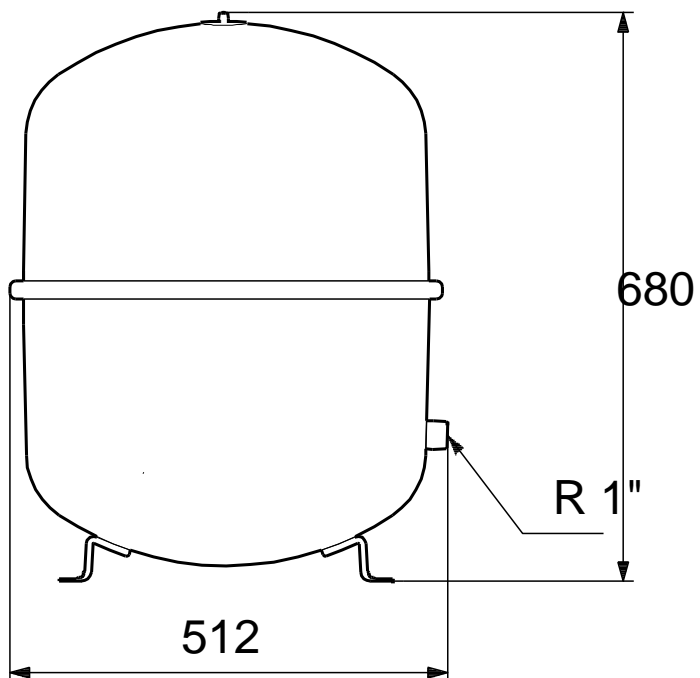


96573397 GT-HR-100 PN6 R1 V 50 Hz



Note! All units are in [mm] unless others are stated.
Disclaimer: This simplified dimensional drawing does not show all details.