



Savio TBS760/770

TBS760 2x49W/830 HFR ND AC-MLO

SAVIO - 2 pcs - 49 W - 830 warm white - HF Regulator - Without diffuser element - Acrylate micro-lens optic

Featuring Philips' patented micro-lens optic technology, Savio is a complete luminaire range that offers the ideal combination of stylish design and optimum performance for both task and general lighting. Savio has an edge-to-edge lighting appearance with a uniform and comfortable brightness impression – a real 'surface of light'. The micro-lens optic consists of a single plate and is embedded in a housing made of high-quality natural anodized aluminum. Savio ensures optimum light distribution and full glare control in compliance with the latest office-lighting norm (EN 12464-1). Savio luminaires with Dynamic Lighting keep us feeling active by creating dynamic artificial light that varies over the course of the day or is set according to personal preference. Savio is available as a full range: suspended, surface-mounted, recessed, free-standing and wall-mounted.

Product data

| General Information | | Cable | |
|-------------------------------|---------------------------|----------------------|---|
| Number of light sources | 2 pcs | Cable | - |
| Lamp family code | TL5 [TL5] | Protection class IEC | Safety class I |
| Lamp power | 49 W | Protection foil | Protection foil included |
| Light source color | 830 warm white | Ready-to-install | - |
| Kombipack | Lamp(s) included | Glow-wire test | Temperature 650 °C, duration 5 s |
| Gear | HF Regulator | Flammability mark | For mounting on normally flammable surfaces |
| Optical element | Without diffuser element | Safety device | No [-] |
| Optical cover/lens type | Acrylate micro-lens optic | CE mark | CE mark |
| Emergency lighting | - | ENEC mark | ENEC mark |
| Embedded control | - | Product family code | TBS760 [SAVIO] |
| Electrical circuit protection | - | | |

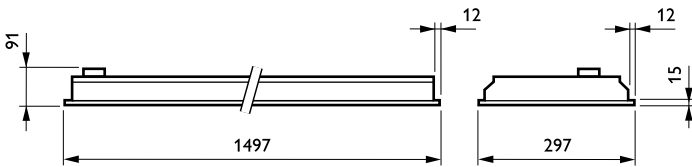
Savio TBS760/770

| | |
|---------------------------------|------------------------|
| Operating and Electrical | |
| Input Voltage | 220 to 240 V |
| Mechanical and Housing | |
| Housing configuration 2 | - |
| Overall length | 1497 mm |
| Approval and Application | |
| Ingress protection code | IP40 [Wire-protected] |
| Mech. impact protection code | IK02 [0.2 J standard] |
| Product Data | |
| Full product code | 871155975706300 |

| | |
|---------------------------------|--------------------------------|
| Order product name | TBS760 2x49W/830 HFR ND AC-MLO |
| EAN/UPC - Product | 8711559757063 |
| Order code | 910501730603 |
| Numerator - Quantity Per Pack | 1 |
| Numerator - Packs per outer box | 1 |
| Material Nr. (12NC) | 910501730603 |
| Net Weight (Piece) | 9.500 kg |

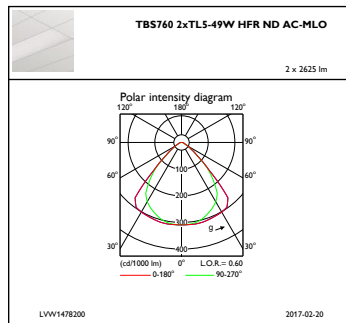
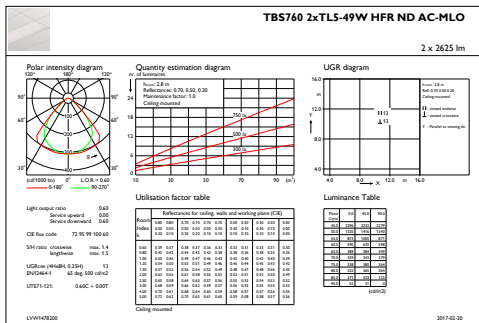


Dimensional drawing



Savio TBS760

Photometric data



IFGU1_TBS7602xTL5-49WHFRNDAC-MLO

IFPC1_TBS7602xTL5-49WHFRNDAC-MLO

Savio TBS760/770

