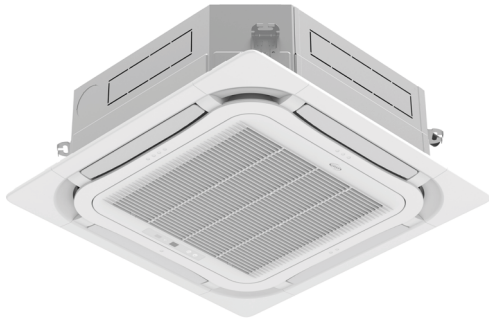


CASSETTE

WITH 360° AIR DISCHARGE



IRC1F7C (Standard)
398100678
Infrared remote controller



SWC7AV (Optional)
398700039
Wired controller with WiFi



SWC52V (Optional)
398800104
Centralized controller up to 36 units (it requires wired controller)



EIXEGP (Optional)
398100683
Gateway Modbus

- 8-way cassette units for light commercial/industrial applications.
- Suitable for shops, offices, meeting rooms, hotels, restaurants, clubs, gyms and open space areas.
- Attractive design.
- 360° air discharge, with range of flap oscillation between 45 and 80°, different according to the heating/cooling modes, for maximum comfort.
- Fan has optimized aerodynamic profiles for maximum silence.
- Condensate drain pump is integrated for a height difference up to 1000 mm.
- Double room temperature sensor for customizable comfort: possibility of selecting the return air temperature sensor on the

unit or the temperature sensor on the wired control.

- High energy efficiency, at all the capacities, both in cooling and heating modes (seasonal efficiency).
- The special closing system of the refrigerant valve prevents and avoids the risk of refrigerant leaks from inappropriate maintenance.
- The electrical box has a special design and is made of fireproof material, for maximum protection of the electronic board from the risks of fire.
- Optional WiFi, with wired controller, accessory that can be ordered separately.

FAST Quick cooling and heating	Intelligent sensor	Quiet mode	3 sleep modes	iFeel	Cold air prevention	Timer on/off	Intelligent defrosting	Auto mode	Filter cleaning reminder	360° air flow	Automatic swinging	Fixed swinging
Fan speed regulation	Automatic fan speed	Turbo fan speed	Dehumidification	Dehumidification 12°C	8 °C heating	WiFi WiFi and app (optional) through wired controller	Centralized control	Remote control	Modbus	Auto restart memory	Access control interface	Dual wired controllers
Auto diagnosis	Ambient temperature control	System parameters inquiry	Historical errors inquiry	Google Home Amazon Alexa (optional)								

A++ Cooling

A+ Heating

TECHNICAL DATA-MATCHING WITH CASSETTE WITH 360° AIR DISCHARGE

Indoor unit model		ASG ECO PLUS 50PH	
Outdoor unit model		AEG ECO PLUS 50PIH	
		Units	
		Cooling	Heating
Nominal (min.-max.) capacity (EN14511)	kW	5.30 (1.60-5.80)	5.80 (1.60-6.10)
	BTU/h	17000	19790
EER/COP (EN14511)		3.45	3.95
Design Load [Pdesign c/Pdesign h (Average)] (EN14825)*	kW	5.3	3.9
Seasonal efficiency ratio [SEER/SCOP (Average)] (EN14825)*		7.2	4.3
Energy efficiency class*		A++	A+
Seasonal energy consumption*	kWh/annum	258	1270
Air flow rate Indoor (sh.-h.-m.-l.)	m ³ /h	900-800-700-600	
Dehumidification	l/h	1.8	
Fan speeds (Indoor/Outdoor)	n°	4/2	
Sound pressure Indoor (sh.-h.-m.-l.)	dB(A)	36-35-33-31	
Sound pressure Outdoor (h.)	dB(A)	52	
Sound power Indoor (sh.-h.-m.-l.)	dB(A)	51-46-43-40	
Sound power Outdoor (h.)	dB(A)	65	
Power supply	V/Ph/Hz	220-240~/1/50/60	
Power input	kW	1.54	1.47
Maximum electrical power input	kW/A	1.90/9.50	
Compressor type		Rotary DC Inverter	
Refrigerant type/GWP		R32/675	
Refrigerant charge	kg/T.CO ₂ eq.	0.85/0.57	
Liquid pipe diameter	mm (inch)	6.35 (1/4")	
Gas pipe diameter	mm (inch)	12.70 (1/2")	
Pipe lenght with gas standard charge	m	5	
Max. pipe lenght with additional charge	m	30	
Additional refrigerant charge	g/m	16	
Max. height difference (Outdoor above)	m	15	
Max. height difference (Indoor above)	m	15	
Panel code to match		398100677	
Indoor net dimension without panel (H./W./D.)	mm	200/840/840	
Net dimension panel (H./W./D.)	mm	52/950/950	
Indoor net dimension with panel (H./W./D.)	mm	252/950/950	
Outdoor net dimension (H./W./D.)	mm	555/745/300	
Indoor unit without panel/Outdoor unit net weight	kg	21/30.5	
Panel net weight	kg	6	

OPERATING RANGE: outdoor temperature
 Cooling mode: from -20 °C to +52 °C
 Heating mode: from -20 °C to +24 °C
 RANGE OF INDOOR TEMPERATURE ADJUSTMENT: from 16 to 30 °C.

*Data declared in compliance with EU Regulation no. 206/2012, as regards to Ecodesign requirements for air conditioners and comfort fans, and EU Regulation no. 626/2011, concerning the energy labelling of air conditioners, and tested according to standard EN14825.

TECHNICAL DATA

Indoor unit model		ASG ECO PLUS 71PH		ASG ECO PLUS 85PH	
Outdoor unit model		AEG ECO PLUS 71PIH		AEG ECO PLUS 85PIH	
	Units	Cooling	Heating	Cooling	Heating
Nominal (min.-max.) capacity (EN14511)	kW	7.10 (2.40-7.60)	8.00 (2.20-8.60)	8.50 (2.90-9.00)	8.80 (2.50-9.50)
	BTU/h	24200	27200	29000	30000
EER/COP (EN14511)		3.70	4.00	3.40	3.90
Design Load [Pdesign c/Pdesign h (Average)] (EN14825)*	kW	7.1	5.0	8.5	6.0
Seasonal efficiency ratio [SEER/SCOP (Average)] (EN14825)*		6.7	4.3	6.9	4.3
Energy efficiency class*		A++	A+	A++	A+
Seasonal energy consumption*	kWh/annum	371	1628	432	1954
Air flow rate Indoor (sh.-h.-m.-l.)	m ³ /h	1100-1000-900-800		1400-1300-1200-1100	
Dehumidification	l/h	2.4		2.8	
Fan speeds (Indoor/Outdoor)	n°	4/2		4/2	
Sound pressure Indoor (sh.-h.-m.-l.)	dB(A)	39-38-36-34		47-46-42-38	
Sound pressure Outdoor (h.)	dB(A)	58		65	
Sound power Indoor (sh.-h.-m.-l.)	dB(A)	51-50-48-47		59-51-48-46	
Sound power Outdoor (h.)	dB(A)	69		70	
Power supply	V/Ph/Hz	220-240~/1/50/60		220-240~/1/50/60	
Power input	kW	2.03	2.80	2.50	2.25
Maximum electrical power input	kW/A	2.80/14.00		3.30/15.00	
Compressor type		Rotary DC Inverter		Rotary DC Inverter	
Refrigerant type/GWP		R32/675		R32/675	
Refrigerant charge	kg/T.CO ₂ eq.	1.5/1.01		1.5/1.01	
Liquid pipe diameter	mm (inch)	9.52 (3/8")		9.52 (3/8")	
Gas pipe diameter	mm (inch)	15.88 (5/8")		15.88 (5/8")	
Pipe lenght with gas standard charge	m	5		5	
Max. pipe lenght with additional charge	m	30		30	
Additional refrigerant charge	g/m	20		20	
Max. height difference (Outdoor above)	m	20		25	
Max. height difference (Indoor above)	m	20		25	
Panel code to match		398100677		398100677	
Indoor net dimension without panel (H./W./D.)	mm	200/840/840		200/840/840	
Net dimension panel (H./W./D.)	mm	52/950/950		52/950/950	
Indoor net dimension with panel (H./W./D.)	mm	252/950/950		252/950/950	
Outdoor net dimension (H./W./D.)	mm	660/889/340		660/889/340	
Indoor unit without panel/Outdoor unit net weight	kg	21/41.5		21/46	
Panel net weight	kg	6		6	

OPERATING RANGE: outdoor temperature
Cooling mode: from -20 °C to +52 °C
Heating mode: from -20 °C to +24 °C
RANGE OF INDOOR TEMPERATURE ADJUSTMENT: from 16 to 30 °C.

*Data declared in compliance with EU Regulation no. 206/2012, as regards to Ecodesign requirements for air conditioners and comfort fans, and EU Regulation no. 626/2011, concerning the energy labelling of air conditioners, and tested according to standard EN14825.

Indoor unit model		ASG ECO PLUS 100PH		ASG ECO PLUS 100PH	
Outdoor unit model		AEG ECO PLUS 100PIH		AEG ECO PLUS 100PIH3	
	Units	Cooling	Heating	Cooling	Heating
Nominal (min.-max.) capacity (EN14511)	kW	10.50 (3.20-11.00)	11.50 (3.00-12.50)	10.50 (3.20-11.00)	11.50 (3.00-12.50)
	BTU/h	35800	39200	35800	39200
EER/COP (EN14511)		3.50	4.10	3.50	4.10
Design Load [P _{design c} /P _{design h} (Average)] (EN14825)*	kW	10.5	7.0	10.5	7.0
Seasonal efficiency ratio [SEER/SCOP (Average)] (EN14825)*		6.6	4.4	6.6	4.4
Energy efficiency class*		A++	A+	A++	A+
Seasonal energy consumption*	kWh/annum	557	2227	557	2227
Air flow rate Indoor (sh.-h.-m.-l.)	m ³ /h	1500-1400-1200-1000		1500-1400-1200-1000	
Dehumidification	l/h	3.3		3.3	
Fan speeds (Indoor/Outdoor)	n°	4/2		4/2	
Sound pressure Indoor (sh.-h.-m.-l.)	dB(A)	43-41-39-38		43-41-39-38	
Sound pressure Outdoor (h.)	dB(A)	57		57	
Sound power Indoor (sh.-h.-m.-l.)	dB(A)	56-54-52-48		56-54-52-48	
Sound power Outdoor (h.)	dB(A)	70		70	
Power supply	V/Ph/Hz	220-240~/1/50/60		380-415~/3/50-60	
Power input	kW	3.10	2.95	3.10	3.95
Maximum electrical power input	kW/A	4.70/21.00		4.40/7.00	
Compressor type		Rotary DC Inverter		Rotary DC Inverter	
Refrigerant type/GWP		R32/675		R32/675	
Refrigerant charge	kg/T.CO ₂ eq.	2.1/1.42		2.1/1.42	
Liquid pipe diameter	mm (inch)	9.52 (3/8")		9.52 (3/8")	
Gas pipe diameter	mm (inch)	15.88 (5/8")		15.88 (5/8")	
Pipe length with gas standard charge	m	5		5	
Max. pipe length with additional charge	m	75		75	
Additional refrigerant charge	g/m	20		20	
Max. height difference (Outdoor above)	m	30		30	
Max. height difference (Indoor above)	m	30		30	
Panel code to match		398100677		398100677	
Indoor net dimension without panel (H./W./D.)	mm	240/840/840		240/840/840	
Net dimension panel (H./W./D.)	mm	52/950/950		52/950/950	
Indoor net dimension with panel (H./W./D.)	mm	292/950/950		292/950/950	
Outdoor net dimension (H./W./D.)	mm	820/940/370		820/940/370	
Indoor unit without panel/Outdoor unit net weight	kg	23/65		23/75	
Panel net weight	kg	6		6	

OPERATING RANGE: outdoor temperature
 Cooling mode: from -20 °C to +52 °C
 Heating mode: from -20 °C to +24 °C
 RANGE OF INDOOR TEMPERATURE ADJUSTMENT: from 16 to 30 °C.

*Data declared in compliance with EU Regulation no. 206/2012, as regards to Ecodesign requirements for air conditioners and comfort fans, and EU Regulation no. 626/2011, concerning the energy labelling of air conditioners, and tested according to standard EN14825.

TECHNICAL DATA

Indoor unit model		ASG ECO PLUS 140PH		ASG ECO PLUS 140PH	
Outdoor unit model		AEG ECO PLUS 140PIH		AEG ECO PLUS 140PIH3	
	Units	Cooling	Heating	Cooling	Heating
Nominal (min.-max.) capacity (EN14511)	kW	13.40 (4.00-14.20)	15.50 (3.90-16.00)	13.40 (4.00-14.20)	15.50 (3.90-16.00)
	BTU/h	45700	52800	45700	52800
EER/COP (EN14511)		2.91	3.30	2.91	3.30
Rated capacity (Prated,c/Prated,h)*	kW	13.40	15.50	13.40	15.50
Seasonal space energy efficiency (ηs,c/ηs,h)*	%	257.8	158.2	257.8	158.2
Air flow rate Indoor (sh.-h.-m.-l.)	m³/h	2000-1800-1600-1400		2000-1800-1600-1400	
Dehumidification	l/h	3.9		3.9	
Fan speeds (Indoor/Outdoor)	n°	4/2		4/2	
Sound pressure Indoor (sh.-h.-m.-l.)	dB(A)	50-48-45-41		50-48-45-41	
Sound pressure Outdoor (h.)	dB(A)	59		59	
Sound power Indoor (sh.-h.-m.-l.)	dB(A)	64-63-60-57		64-63-60-57	
Sound power Outdoor (h.)	dB(A)	75		75	
Power supply	V/Ph/Hz	220-240~/1/50/60		380-415~/3/50/60	
Power input	kW	4.60	4.70	4.60	4.70
Maximum electrical power input	kW/A	5.60/25.00		5.60/11.00	
Compressor type		Rotary DC Inverter		Rotary DC Inverter	
Refrigerant type/GWP		R32/675		R32/675	
Refrigerant charge	kg/T.CO ₂ eq.	2.80/1.89		2.80/1.89	
Liquid pipe diameter	mm (inch)	9.52 (3/8")		9.52 (3/8")	
Gas pipe diameter	mm (inch)	15.88 (5/8")		15.88 (5/8")	
Pipe lenght with gas standard charge	m	7.5		7.5	
Max. pipe lenght with additional charge	m	75		75	
Additional refrigerant charge	g/m	35		35	
Max. height difference (Outdoor above)	m	30		30	
Max. height difference (Indoor above)	m	30		30	
Panel code to match		398100677		398100677	
Indoor net dimension without panel (H./W./D.)	mm	290/840/840		290/840/840	
Net dimension panel (H./W./D.)	mm	52/950/950		52/950/950	
Indoor net dimension with panel (H./W./D.)	mm	342/950/950		342/950/950	
Outdoor net dimension (H./W./D.)	mm	820/940/370		820/940/370	
Indoor unit without panel/Outdoor unit net weight	kg	25/73		25/81	
Panel net weight	kg	6		6	

OPERATING RANGE: outdoor temperature

Cooling mode: from -20 °C to +52 °C

Heating mode: from -20 °C to +24 °C

RANGE OF INDOOR TEMPERATURE ADJUSTMENT: from 16 to 30 °C.

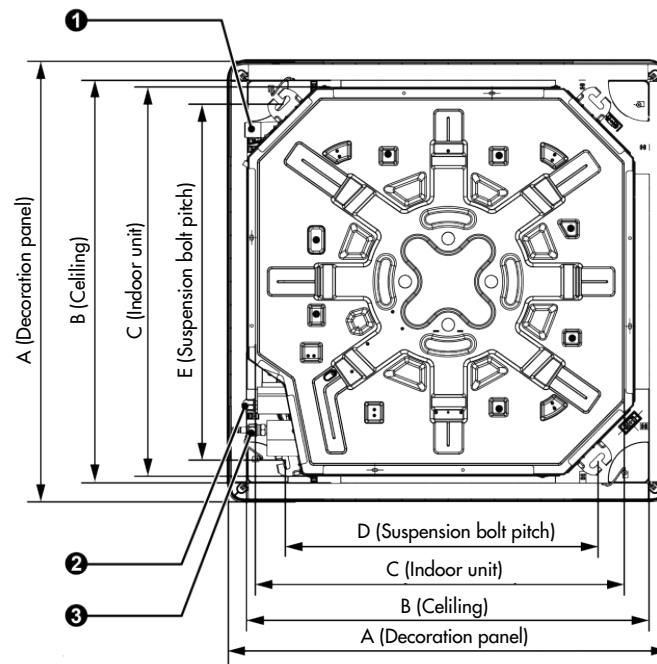
*Data declared in accordance with COMMISSION REGULATION (EU) 2016/2281 of 30 November 2016 implementing Directive 2009/125/EC of the European Parliament and of the Council establishing a framework for the setting of ecodesign requirements for energy-related products, with regard to ecodesign requirements for air heating products, cooling products, high temperature process chillers and fan coil units.

Indoor unit model		ASG ECO PLUS 160PH	
Outdoor unit model		AEG ECO PLUS 160PIH3	
	Units	Cooling	Heating
Nominal (min.-max.) capacity (EN14511)	kW	14.50 (4.80-15.00)	17.00 (4.50-17.50)
	BTU/h	49400	58000
EER/COP (EN14511)		2.74	2.98
Rated capacity (Prated,c/Prated,h)*	kW	14.50	17.0
Seasonal space energy efficiency (ηs,c/ηs,h)*	%	239	151.6
Air flow rate Indoor (sh.-h.-m.-l.)	m ³ /h	2300-2100-1900-1600	
Dehumidification	l/h	4.8	
Fan speeds (Indoor/Outdoor)	n°	4/2	
Sound pressure Indoor (sh.-h.-m.-l.)	dB(A)	50-48-46-44	
Sound pressure Outdoor (h.)	dB(A)	60	
Sound power Indoor (sh.-h.-m.-l.)	dB(A)	65-63-61-60	
Sound power Outdoor (h.)	dB(A)	75	
Power supply	V/Ph/Hz	380-415~/3/50/60	
Power input	kW	5.30	5.70
Maximum electrical power input	kW/A	6.80/12.00	
Compressor type		Rotary DC Inverter	
Refrigerant type/GWP		R32/675	
Refrigerant charge	kg/T.CO ₂ eq.	3.50/2.363	
Liquid pipe diameter	mm (inch)	9.52 (3/8")	
Gas pipe diameter	mm (inch)	15.88 (5/8")	
Pipe length with gas standard charge	m	7.5	
Max. pipe length with additional charge	m	75	
Additional refrigerant charge	g/m	35	
Max. height difference (Outdoor above)	m	30	
Max. height difference (Indoor above)	m	30	
Panel code to match		398100677	
Indoor net dimension without panel (H./W./D.)	mm	290/840/840	
Net dimension panel (H./W./D.)	mm	52/950/950	
Indoor net dimension with panel (H./W./D.)	mm	342/950/950	
Outdoor net dimension (H./W./D.)	mm	960/990/370	
Indoor unit without panel/Outdoor unit net weight	kg	26/94	
Panel net weight	kg	9.5	

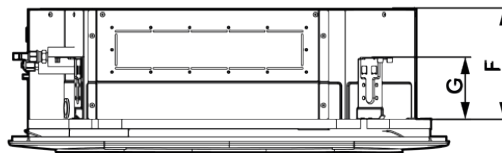
OPERATING RANGE: outdoor temperature
 Cooling mode: from -20 °C to +52 °C
 Heating mode: from -20 °C to +24 °C
 RANGE OF INDOOR TEMPERATURE ADJUSTMENT: from 16 to 30 °C.

*Data declared in accordance with COMMISSION REGULATION (EU) 2016/2281 of 30 November 2016 implementing Directive 2009/125/EC of the European Parliament and of the Council establishing a framework for the setting of ecodesign requirements for energy-related products, with regard to ecodesign requirements for air heating products, cooling products, high temperature process chillers and fan coil units.

INDOOR UNITS DIMENSIONAL DRAWING

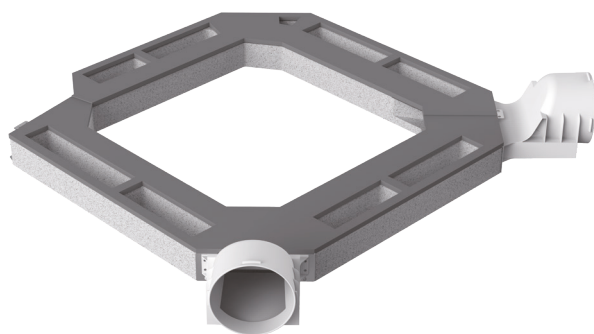


- ❶ Drain pipe
- ❷ Liquid pipe
- ❸ Gas pipe



MODEL	DIMENSIONS (mm)								
	A	B	C	D	E	F	G	H	I
ASG ECO PLUS 50PH	950	890	840	680	780	200	135	-	-
ASG ECO PLUS 71PH	950	890	840	680	780	200	135	-	-
ASG ECO PLUS 85PH	950	890	840	680	780	200	135	-	-
ASG ECO PLUS 100PH	950	890	840	680	780	240	135	-	-
ASG ECO PLUS 140PH	950	890	840	680	780	290	135	-	-
ASG ECO PLUS 160PH	950	890	840	680	780	290	135	-	-

ACCESSORY FOR FRESH AIR INTAKE



Code	Model
398800101	Fresh air ASG

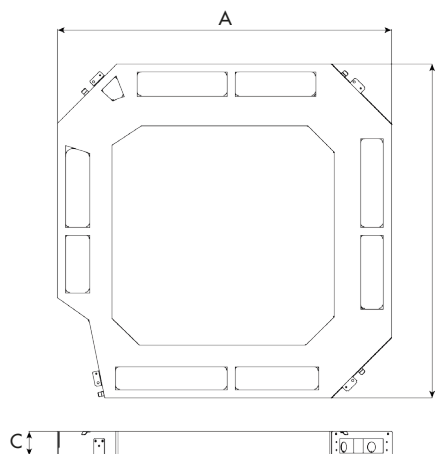
Thanks to this accessory, which can be combined with boxes that deliver air over 360°, it is possible to effectively introduce 8%-10% fresh air into the room.

Made of metal and ABS, it is lightweight and resistant, straightforward and easy to install; the double air intakes exploit the pressure difference principle and can automatically introduce fresh air, improving the air quality in the room.

Features	Unit	Value
Air intake volume	%	10
Net dimensions (WxDxH) without packaging	mm	834x834x60
Net dimensions (WxDxH) with packaging	mm	873x873x180
Connection dimensions	mm	150
	pieces	2
Net / gross weight	kg	2.7/7.7

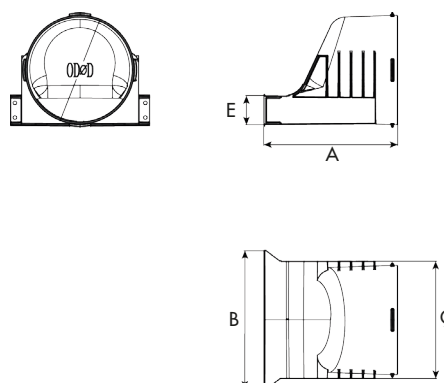
APPEARANCE AND DIMENSIONS OF THE OUTER MAIN BODY

Dimensional data (mm)		
A	B	C
834	834	60

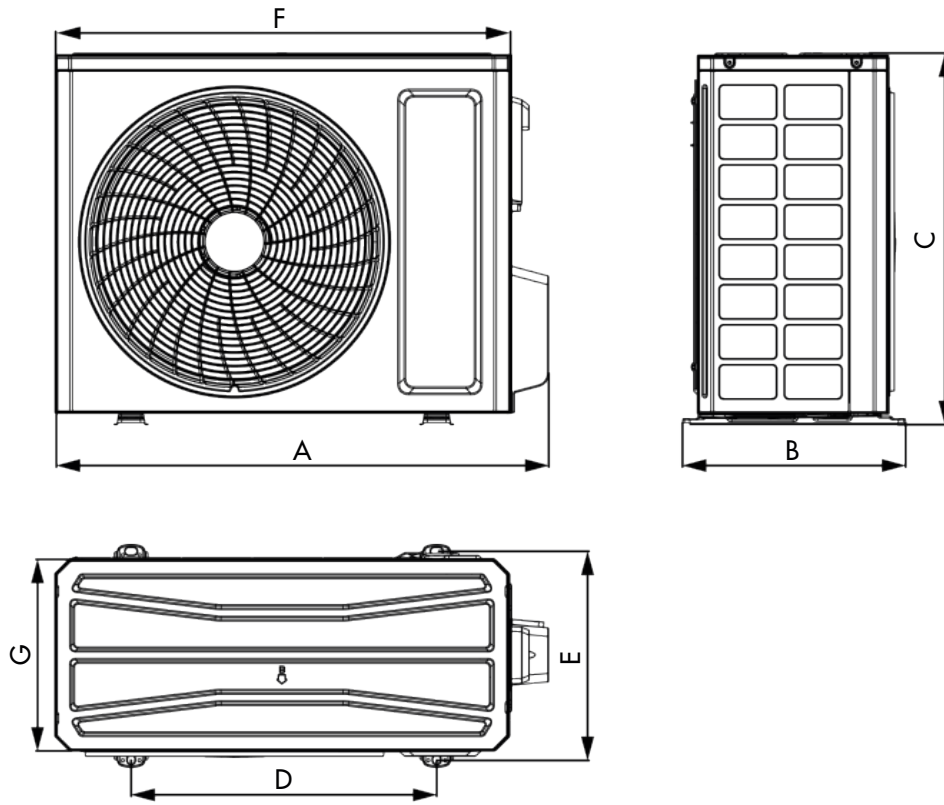


APPEARANCE AND DIMENSIONS OF THE FRESH AIR INTAKE

Dimensional data (mm)				
A	B	C	D	E
183	190	160	150	38



OUTDOOR UNITS DIMENSIONAL DRAWING



MODEL	DIMENSIONS (mm)						
	A	B	C	D	E	F	G
AEG ECO PLUS 50PIH	802	350	555	512	331	745	300
AEG ECO PLUS 71PIH	958	402	660	570	371	889	340
AEG ECO PLUS 85PIH	958	402	660	570	371	889	340
AEG ECO PLUS 100PIH	1020	427	820	635	396	940	370
AEG ECO PLUS 100PIH3	1020	427	820	635	396	940	370
AEG ECO PLUS 140PIH	1020	427	820	635	396	940	370
AEG ECO PLUS 140PIH3	1020	427	820	635	396	940	370
AEG ECO PLUS 160PIH3	1020	427	960	755	396	990	370