

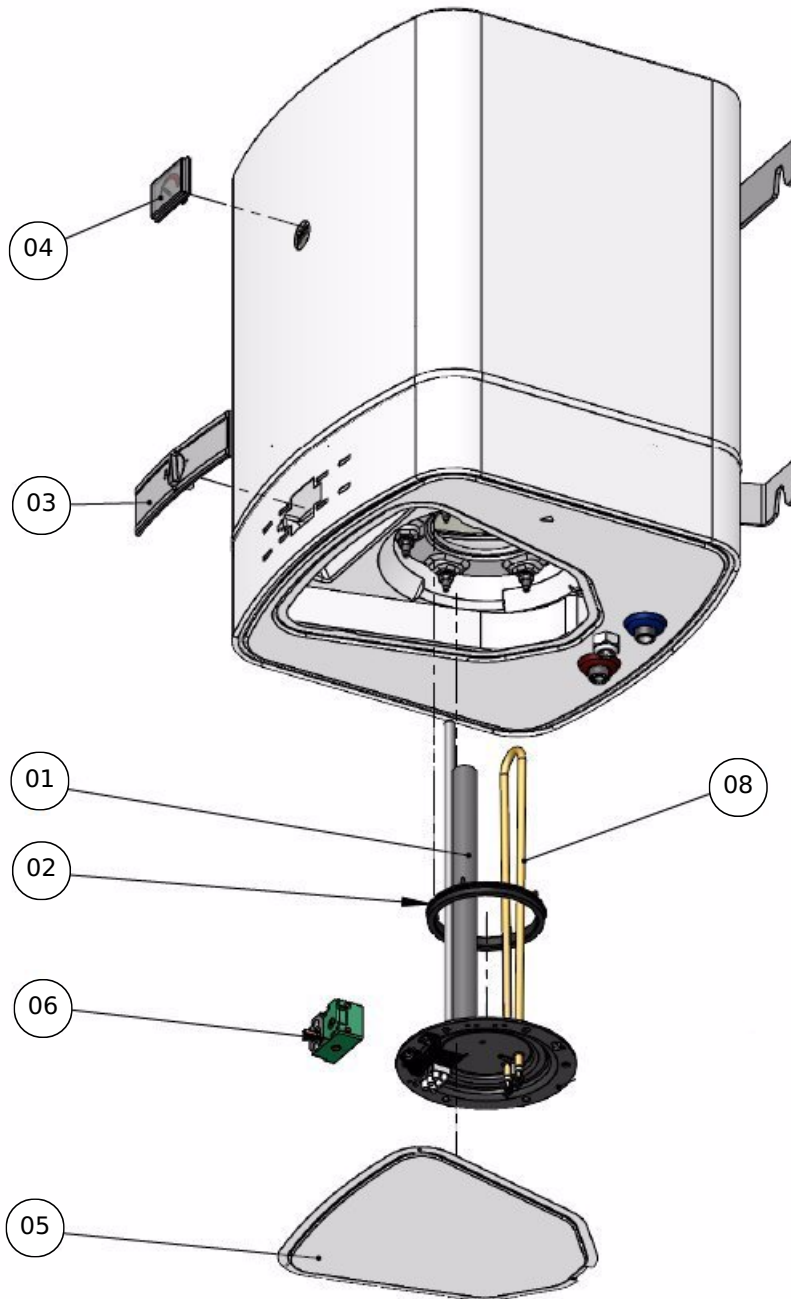
Opal 50-100L Square WM

OPAL

Products

Reference	Name	Letter
941281	OPAL SQUARE WM 050L 1200M PE	A
951266	OPAL SQUARE WM 100L 2300M PE	B

Opal 50-100L Square WM



Opal 50-100L Square WM

References

Label	Wording	A	B
01	MAGNESIUM ANODE D22X600 M8X10 AE		030512
01	MAGNESIUM ANODE D26X322 M8X10 AE	030511	
02	GASKET D.112MM AE	030513	030513
03	DISPLAY PANEL WITH KNOB AE	030514	030514
04	THERMOMETER AE	030515	030515
05	COVER AE	030516	030516
06	THERMOSTAT 2 POL.	030517	030517
08	HEATING ELEMENT 1650W 230V AE	030518	
08	HEATING ELEMENT 2300W 230V AE		030519