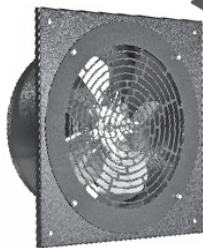
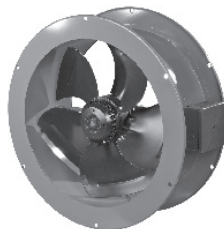


USER'S MANUAL

INDUSTRIAL ELECTRIC AXIAL FANS

VENTS OV/ OVK/ OV1/ OV1 R/ OVK1/ VKF/ VKOM / OVP



CONTENTS



Safety requirements	3
Introduction	5
Purpose	5
Delivery set	5
Designation key	5
Technical data	6
Design and operating logic	11
Mounting and set-up	12
Connection to power mains	17
Technical maintenance	19
Troubleshooting	23
Storage and transportation regulations	23
Manufacturer's warranty	24
Acceptance certificate	25
Seller information	25
Connection certificate	25
Warranty card	26






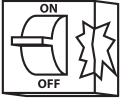

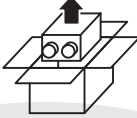


SAFETY REQUIREMENTS


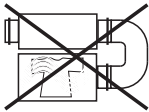

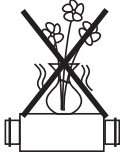
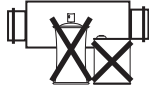
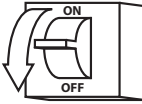



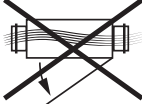
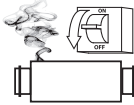
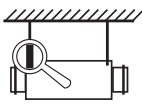
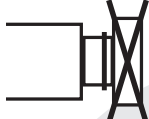

- Read the user's manual carefully before installing and operating VENTS OV \ OVK \ OV1 \ OV1 R \ OVK1 \ VKF \ VKOM \ OVP series industrial axial fan (hereinafter «Fan»).
- The unit must be installed and operated in accordance with the present user's manual as well as the provisions of all the applicable local and national construction, electrical and technical codes and standards.
- The warnings contained in the user's manual must be considered most seriously since they contain vital personal safety information.
- Failure to follow the rules and safety precautions may result in an injury or fan damage.
- After a careful reading of the manual, keep it for the entire service life of the fan.
- While transferring the unit control the user's manual must be turned over to the receiving operator.

Symbol legend:

	WARNING!
	DO NOT!

UNIT MOUNTING AND OPERATION SAFETY PRECAUTIONS

	Disconnect the unit from power mains prior to any installation and repair operations.		The unit must be grounded!
	The fan must not be operated outside the temperature envelope stated in the user's manual or in closed spaces containing aggressive or explosive environments.		Do not use damaged equipment or cables when connecting the unit to power mains.
	While installing the fan follow the safety regulations specific to the use of electric tools.		Unpack the unit with care.
	Do not change the power cable length at your own discretion. Do not bend the power cable. Avoid damaging the power cable.		Do not position any heating devices or other equipment in close proximity to the fan power cable.

	<p>Do not touch the fan and its controls with wet hands. Wipe your hands dry before carrying out fan maintenance.</p>		<p>Use the unit only for its intended purpose. Do not connect any drying machines or other similar equipment to the fan and the ventilation circuit.</p>
	<p>Do not wash the unit with water. Protect the electric parts of the unit against ingress of water.</p>		<p>Do not put any water containers (e.g. vases etc.) on top of the fan.</p>
	<p>Do not store any explosive or highly flammable substances in close proximity to the unit.</p>		<p>Disconnect the fan from the power supply prior to any technical maintenance.</p>
	<p>Do not allow children to operate the unit.</p>		<p>Avoid damaging the power cable. Do not put any foreign objects on the power cable.</p>
	<p>Do not sit on the unit and avoid placing foreign objects on it.</p>		<p>Do not open the fan during operation.</p>
	<p>When the unit generates unusual sounds, odour or emits smoke disconnect it from power supply and contact the Seller.</p>		<p>In case of continuous operation of the fan periodically check the security of mounting.</p>
	<p>Do not block the air duct when the unit is switched on.</p>		<p>Do not direct the air stream produced by the fan onto any combustion appliances or burning candles.</p>

INTRODUCTION

The present user's manual consisting of technical details, operating instructions and technical specification contains the information specific to the fan installation and mounting.

PURPOSE

The VENTS axial fans with the impellers ranging from 200 to 630 mm as used in VKF, OV and OVK units, impellers ranging from 150 to 315 mm as used in VKOM, OV1, OV1 R and OVK1 units and those ranging from 200 to 350 mm as used in OVP units are designed for direct extraction of indoor air outdoors and supply of fresh outdoor air into the premises.

DELIVERY SET

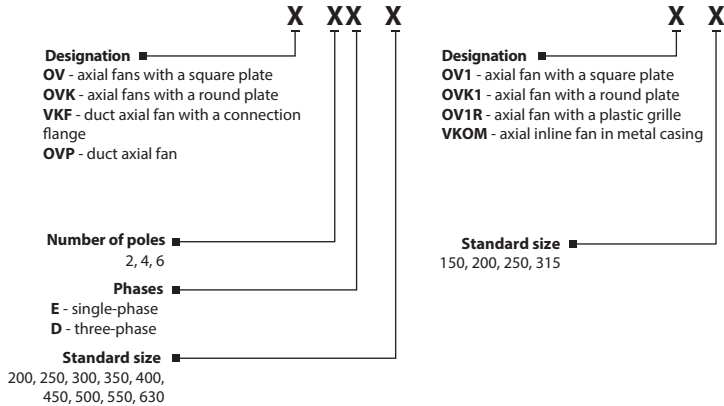
OV \ OVK \ OV1 \ OV1 R \ OVK1 \ VKF:

Fan	1 piece
User's manual	1 piece
Packing	1 piece

VKOM \ OVP:

Fan	1 piece
Mounting brackets	2 pieces
User's manual	1 piece
Packing	1 piece

DESIGNATION KEY



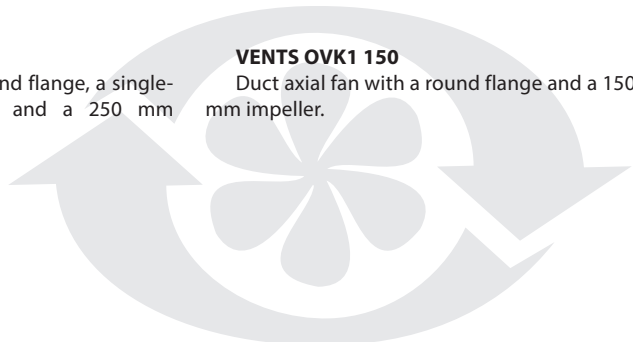
Sample designation:

VENTS OV 2E 250

Duct axial fan with a round flange, a single-phase double-pole motor and a 250 mm impeller.

VENTS OVK1 150

Duct axial fan with a round flange and a 150 mm impeller.



Technical data:

	OV / OVK / VKF 4D 400	OV / OVK / VKF 4E 450	OV / OVK / VKF 4D 450	OV / OVK / VKF 4E 500	OV / OVK / VKF 4E 550	OV / OVK / VKF 4D 500
Voltage [V] / 50 Hz	230	3~400	230	230	3~400	3~400
Power [W]	180	250	250	420	550	450
Current [A]	0,47	1,2	0,6	1,95	2,55	0,9
Max. air flow [m ³ /h]	3740	4680	5280	7060	8800	6570
RPM	1380	1350	1360	1300	1300	1300
Sound pressure level at 3 m distance [dB(A)]	64	64	65	69	70	72
Max. transported air temperature [°C]	-30 +60	-30 +60	-30 +60	-30 +60	-30 +60	-30 +60
Protection	IP 24 (VKF IP X4)	IP 24 (VKF IP X4)	IP 24 (VKF IP X4)	IP 24 (VKF IP X4)	IP 24 (VKF IP X4)	IP 24

Technical data:

	OV / OVK / VKF 4D 550	OV / OVK / VKF 4E 630	OV / OVK / VKF 4D 630	OV / OVK / VKF 6E 630
Voltage [V] / 50 Hz	3~400	230	3~400	230
Power [W]	750	750	800	540
Current [A]	1,5	3,5	1,6	2,4
Max. air flow [m ³ /h]	9700	11900	12200	10900
RPM	1350	1360	1320	850
Sound pressure level at 3 m distance [dB(A)]	73	75	78	72
Max. transported air temperature [°C]	-30 +60	-30 +60	-30 +60	-30 +60
Protection	IP 24	IP 24 (VKF IP X4)	IP 24	IP 24

Technical data:

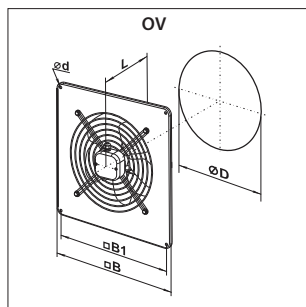
	OV1 / OVK1 / VKOM 150	OV1 / OVK1 / VKOM 200	OV1 / OVK1 / VKOM 250	OV1 / OVK1 / VKOM 315
Voltage [V] / 50 Hz	230	230	230	230
Power [W]	36	43	68	110
Current [A]	0,26	0,28	0,48	0,75
Max. air flow [m ³ /h]	200	405	1070	1700
RPM	1300	1300	1300	1300
Sound pressure level at 3 m distance [dB(A)]	33	32	48	54
Max. transported air temperature [°C]	40	40	40	40
Protection	IP 24 (VKOM IP X4)	IP 24 (VKOM IP X4)	IP 24 (VKOM IP X4)	IP 24 (VKOM IP X4)

Technical data:

	OV1 150 R	OV1 200 R	OV1 250 R
Voltage [V] / 50 Hz	230	230	230
Power [W]	36	43	68
Current [A]	0,26	0,28	0,48
Max. air flow [m ³ /h]	200	405	1070
RPM	1300	1300	1300
Sound pressure level at 3 m distance [dB(A)]	33	32	48
Max. transported air temperature [°C]	40	40	40
Protection	IP 24	IP 24	IP 24

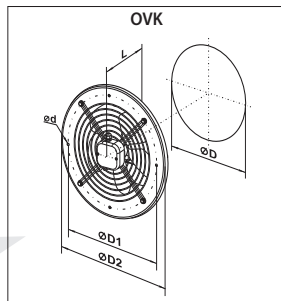
Overall dimensions:

Model	Dimensions [mm]					Weight [kg]
	Ø D	Ø d	B	B1	L	
OV 2E 200	210	7	312	260	145	3,9
OV 2E 250 / OV 2D 250	260	7	370	320	155	4,2
OV 4E 250 / OV 4D 250	260	7	370	320	155	4,1
OV 2E 300	326	9	430	380	195	5,3
OV 2D 300	326	9	430	380	155	5,3
OV 4E 300	326	9	430	380	195	5,1
OV 4D 300	326	9	430	380	155	5,1
OV 4E 350 / OV 4D 350	388	9	485	435	200	7,1
OV 4E 400 / OV 4D 400	417	9	540	490	240	8,8
OV 4E 450 / OV 4D 450	465	11	576	535	250	10,6
OV 4E 500 / OV 4D 500	520	11	655	615	260	14,2
OV 4E 550 / OV 4D 550	570	11	725	675	280	16,6
OV 4E 630 / OV 4D 630	650	11	800	710	295	22,6
OV 6E 630	650	11	800	710	295	22,6



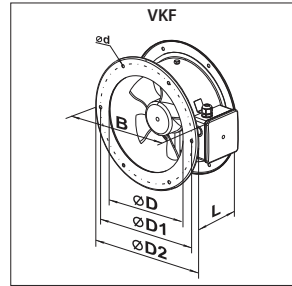
Overall dimensions:

Model	Dimensions [mm]					Weight [kg]
	Ø D	Ø D1	Ø D2	Ø d	L	
OVK 2E 200	210	250	280	7	145	2,5
OVK 2E 250 / OVK 2D 250	260	295	320	7	155	3,4
OVK 4E 250 / OVK 4D 250	260	295	320	7	155	3,4
OVK 2E 300	326	380	397	9	195	4,4
OVK 2D 300	326	380	397	9	155	4,4
OVK 4E 300	326	380	397	9	195	4,7
OVK 4D 300	326	380	397	9	155	4,7
OVK 4E 350 / OVK 4D 350	388	442	460	9	200	6,3
OVK 4E 400 / OVK 4D 400	417	504	528	9	240	8,3
OVK 4E 450 / OVK 4D 450	465	578	607	11	250	9,8
OVK 4E 500 / OVK 4D 500	520	590	655	11	260	12,2
OVK 4E 550 / OVK 4D 550	570	645	710	11	280	15,0
OVK 4E 630 / OVK 4D 630	650	760	800	11	295	20,8
OVK 6E 630	650	760	800	11	295	20,8

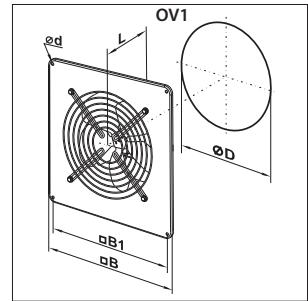


Overall dimensions:

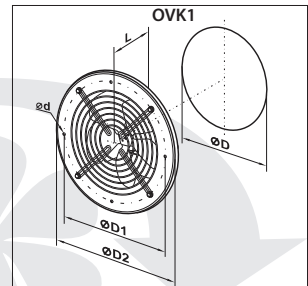
Model	Dimensions [mm]						Weight [kg]
	Ø D	Ø D	Ø D	Ø d	B	L	
VKF 2E 200	205	235	255	7	290	120	1,95
VKF 2E 250 / VKF 2D 250	260	286	306	7	340	150	3,84
VKF 4E 250 / VKF 4D 250	260	286	306	7	340	150	3,96 / 3,84
VKF 2E 300 / VKF 2D 300	310	356	382	7	410	160	5,31
VKF 4E 300 / VKF 4D 300	310	356	382	7	410	160	5,59 / 5,31
VKF 4E 350 / VKF 4D 350	362	395	421	9,5	450	160	6,37
VKF 4E 400 / VKF 4D 400	412	438	465	9,5	500	170	8,39
VKF 4E 450 / VKF 4D 450	462	487	515	9,5	550	200	10,65
VKF 4E 500 / VKF 4D 500	515	541	570	9,5	600	220	12,65 / 11,0
VKF 4E 550 / VKF 4D 550	565	605	636	11,5	660	230	17,3 / 13,9
VKF 4E 630 / VKF 4D 630	645	674	715	11,5	740	250	20,13 / 16,4


Overall dimensions:

Model	Dimensions [mm]					Weight [kg]
	Ø D	Ø d	B	B1	L	
OV1 150	162	7	250	210	120	2,5
OV1 200	208	7	312	260	120	3,0
OV1 250	262	7	370	320	140	3,5
OV1 315	312	9	430	380	170	6,1

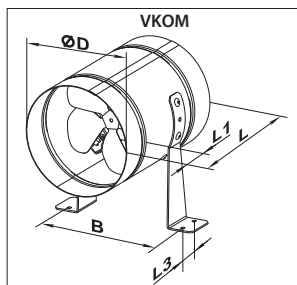

Overall dimensions:

Model	Dimensions [mm]					Weight [kg]
	Ø D	Ø D1	Ø D2	Ø d	L	
OVK1 150	162	190	220	7	120	2,5
OVK1 200	208	270	300	7	120	2,5
OVK1 250	262	330	360	7	140	3,0
OVK1 315	312	390	420	9	170	5,1



Overall dimensions:

Model	Dimensions [mm]					Weight [kg]
	Ø D	B	L	L1	L3	
VKOM 150	162	183	220	40	30	1,8
VKOM 200	208	228	220	40	30	2,4
VKOM 250	262	283	270	55	30	3,7
VKOM 315	315	337	278	55	40	4,9

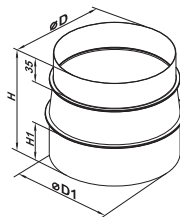


The VKOM fans are equipped with RM (polymer-coated steel) and RM ... Zn (galvanised steel) reducers for connection to 150 mm, 200 mm and 250 mm air ducts. The reducers are not included in the delivery set and must be ordered separately.

Overall dimensions:

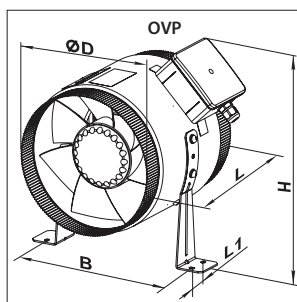
Model	Dimensions [mm]				Weight [kg]
	Ø D	Ø D1	H	H1	
RM 148/158	148	158	140	55	0,3
RM 198/204	198	204	140	55	0,4
RM 248/258	248	258	150	65	0,42

RM reducer for VKOM fans



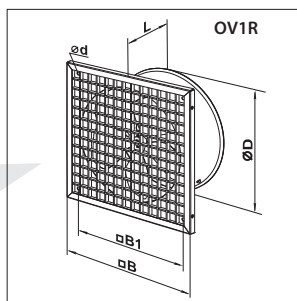
Overall dimensions:

Model	Dimensions [mm]					Weight [kg]
	Ø D	B	L	H	L1	
OVP 2E 200	199	227	220	300	30	3.5
OVP 2E 250	249	282	250	320	30	4.5
OVP 4E 250	249	282	250	320	30	4.5
OVP 2E 300	299	326	250	390	40	6.3
OVP 4E 300	299	326	250	390	40	6.3
OVP 4E 350	349	378	300	410	40	8.4



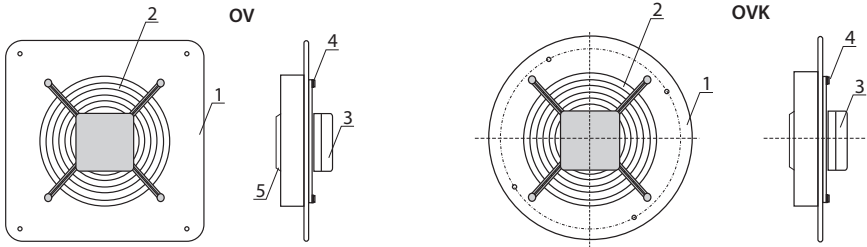
Overall dimensions:

Model	Dimensions [mm]					Weight [kg]
	Ø D	Ø d	B	B1	L	
OV1 150 R	162	7	325	275	127	2,5
OV1 200 R	208	7	325	275	127	3,0
OV1 250 R	262	7	325	275	152	3,5

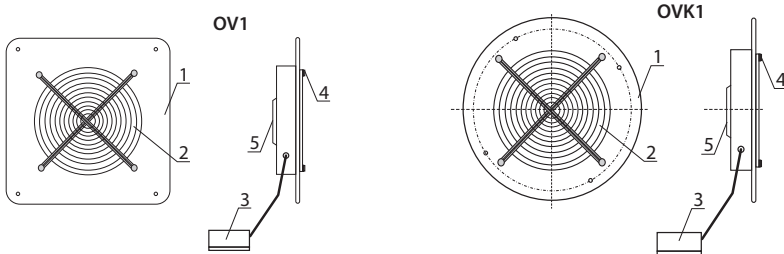


DESIGN AND OPERATING LOGIC

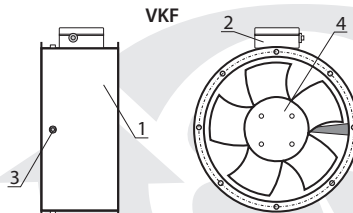
The **OV and OVK fans** consist of a casing 1 with a square or round flange providing connection for a grille 2 assembly complete with an electric motor and impeller 5 made with bolts 4. The impeller rotation direction depends on the type of electric motor with external rotor used. The bolts securing the impeller to the grille also serve as attachment bolts for terminal box 3. Some OV and OVK models may be equipped with a cable complete with a terminal box for remote connection. The electric motor casing has an M4 threaded hole and yellow-green cables for connection to the protective ground circuit.



The **OV1 and OVK1 fans** consist of a casing 1 made of polymer-coated stainless steel with a square (OV1) or round (OVK1) flange providing connection for a grille 2 made with bolts 4. The motor and impeller 5 are mounted on a bracket inside the casing. OV1 and OVK1 fans are equipped with a terminal box with a cable for remote connection.

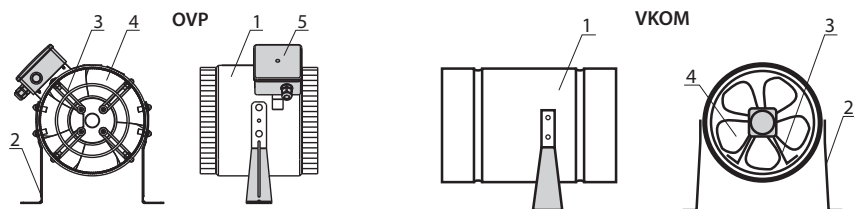


The **VKF fans** consist of a casing 1 with round flanges on both sides providing connection for a cross piece complete with an electric motor and impeller 4 made with bolts 3. The impeller rotation direction depends on the type of electric motor used. The electric motor casing has an M4 threaded hole and yellow-green cables for connection to the protective ground circuit.

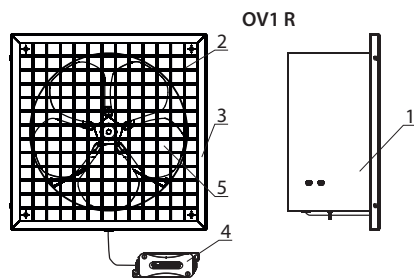


VKOM and OVP fan construction.

Brackets 2 are attached to the casing with bolts 1. The electric motor with impeller 4 is mounted on bracket 3 inside the casing. Terminal box 5 mounted onto the OVP fan casing provides connection to the power mains.



The **OV1 R fans** consist of a steel casing 1 with a square flange. The casing has a polymer coating. The motor and impeller 5 are mounted on a bracket inside the casing. Plastic grille 2 is mounted inside a casing 1 and secured with a frame 3. OV1 R fans are equipped with a terminal box 4 on a cable for electrical connection.



■ MOUNTING AND SET-UP

- Unpack the fan and check for any cuts in the electric wires and cracks in the insulation. Inspect the fan casing to make sure it is free from any cracks and deformations. Set the impeller in motion and check that it rotates freely without catching against the inlet flange and the casing.
- Prior to powering up the fan make sure that the mains parameters comply with the technical specifications on the fan label attached to the protective casing.
- The fan mounting locations must enable adequate access for maintenance, technical service and replacement operations.
- When the service conditions may lead to water ingress the fans must be equipped with adequate protection. For example, the fans may be installed under a canopy or a roof.
- Since the fan belongs to Class 1 in terms of electrical hazard protection proper grounding is a must:

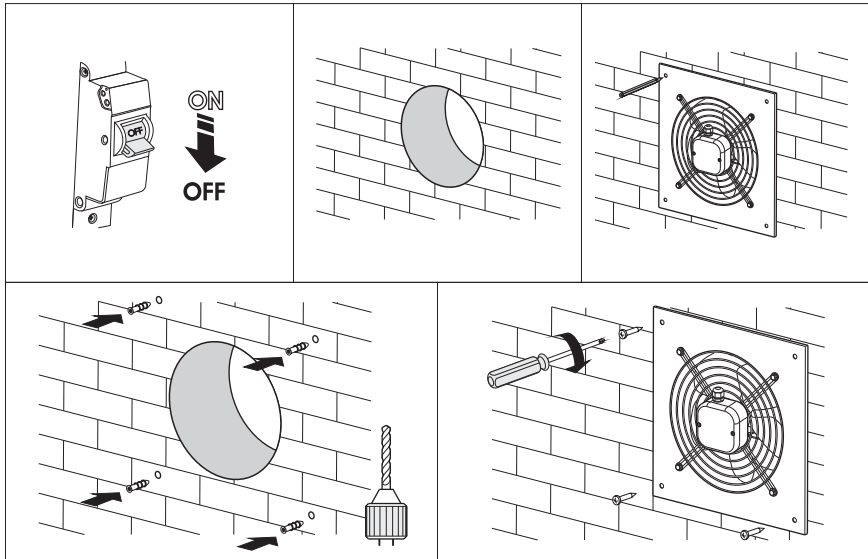
To ground the equipment connect the  terminal to the protective ground circuit.

The fans undergo continuous improvement - therefore, some models may slightly differ from the ones described in the user's manual.

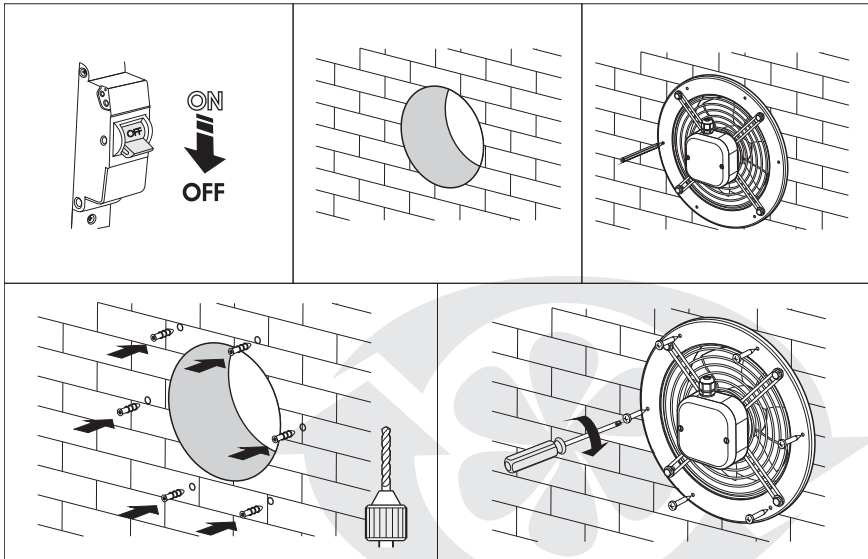
The **OV, OV1, OV1 R, OVK and OVK1 series fans** are installed onto wall surfaces by means of a mounting casing with attachment holes:

- OV, OV1 and OV1 R series with a square casing - 4 holes;
- OVK and OVK1 series with a round casing - 6 holes.

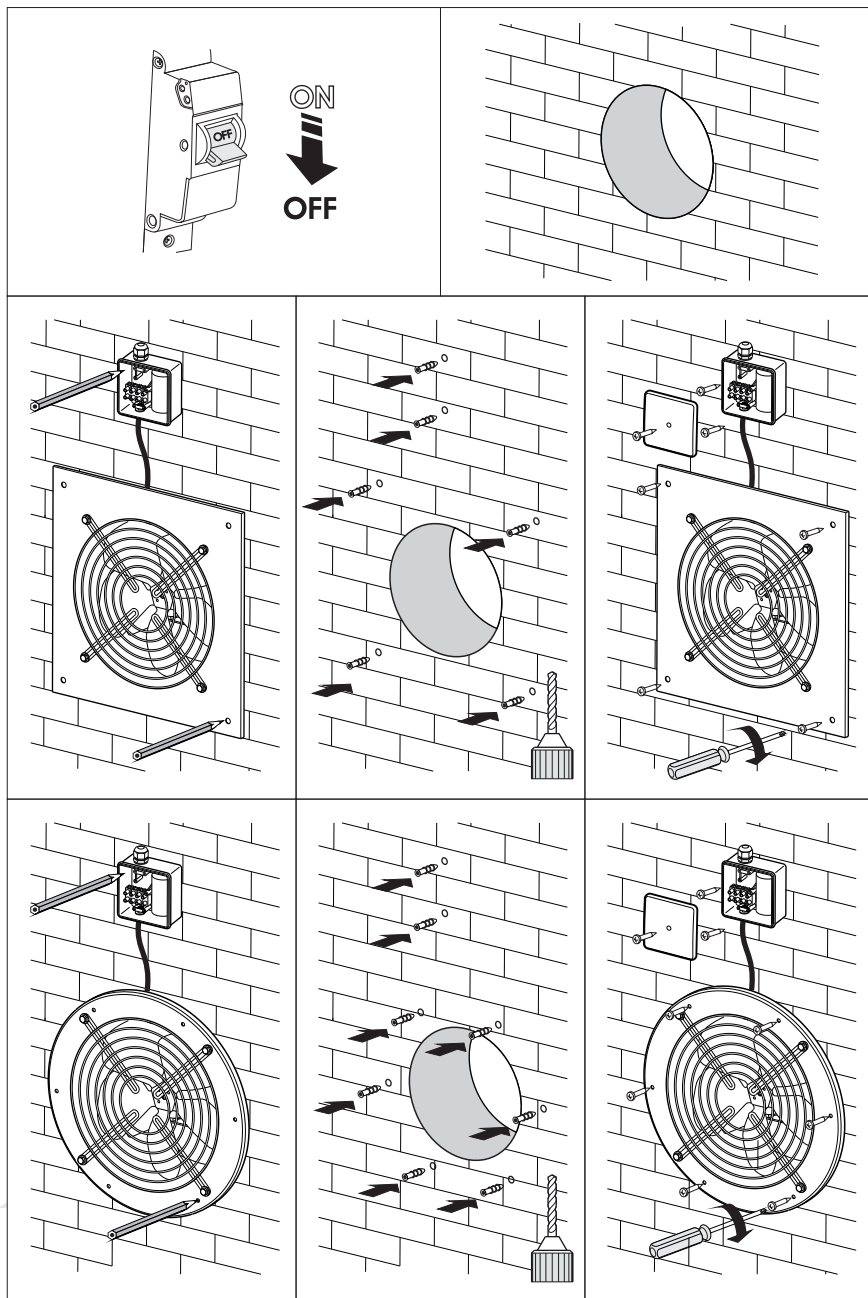
OV fan installation:



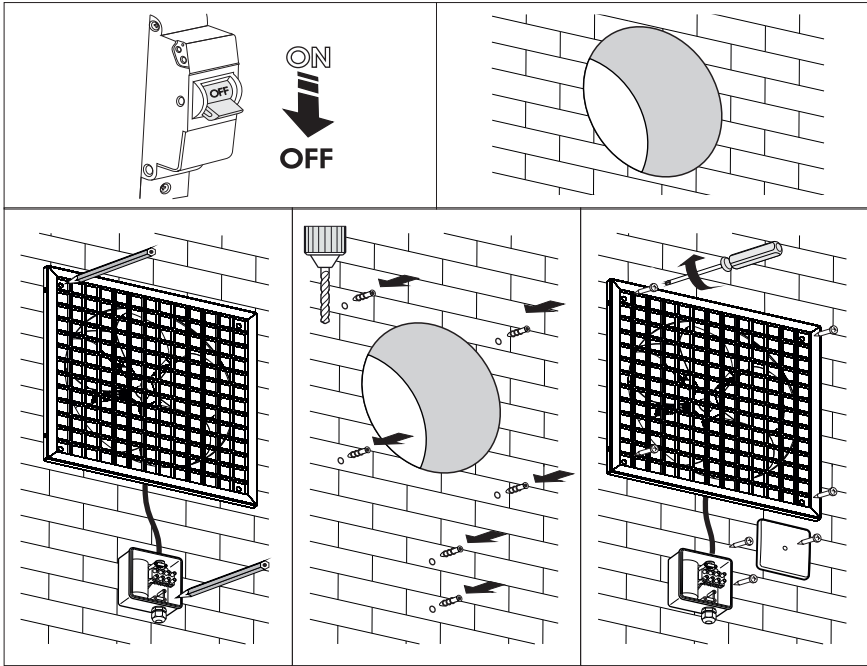
OVK fan installation:



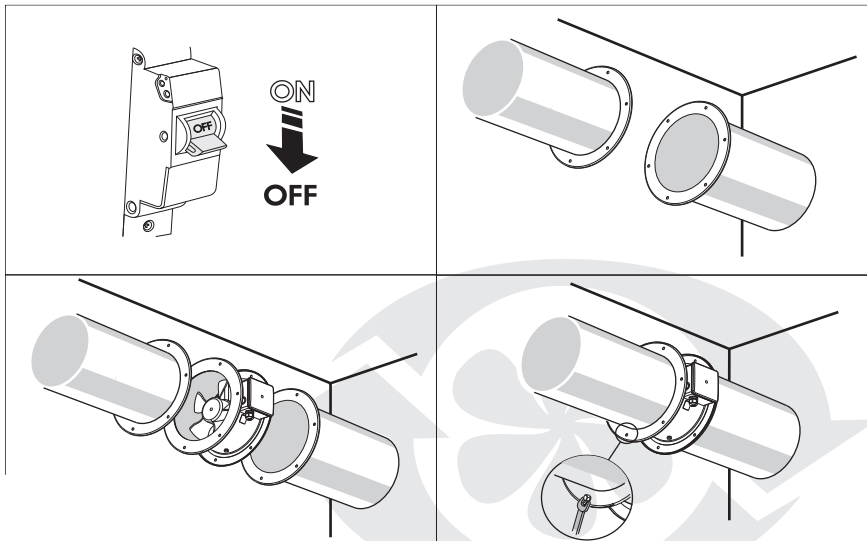
OV1 and OVK1 fan installation:



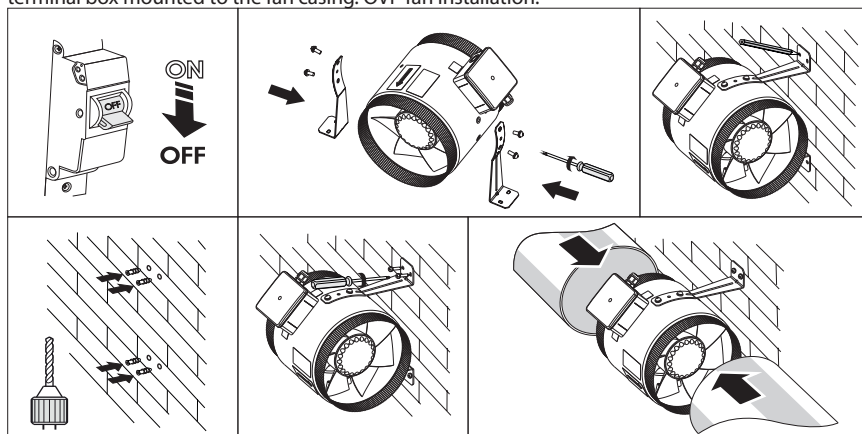
OV1 R fan installation:



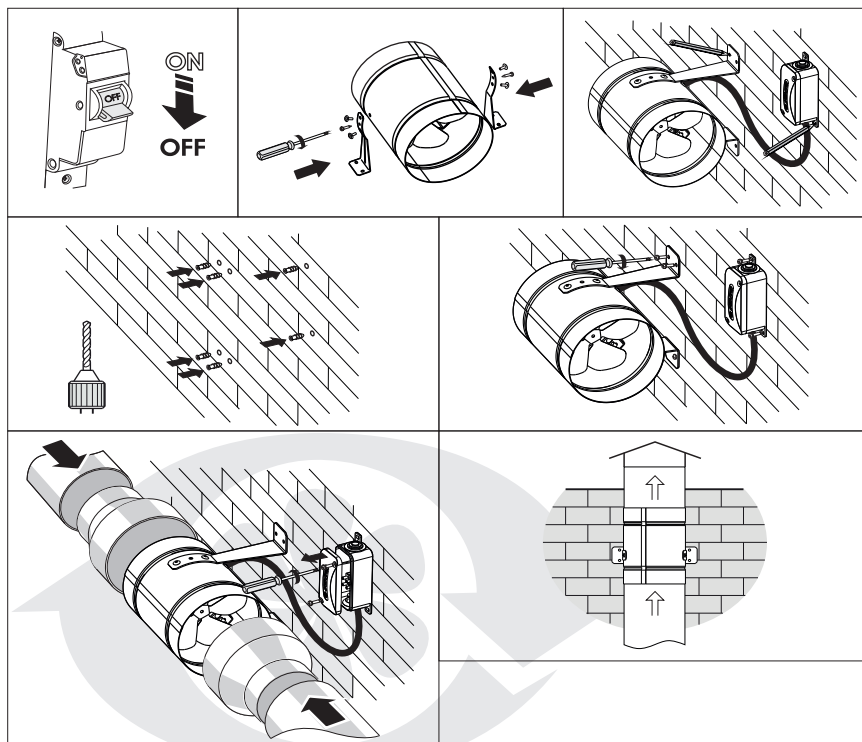
The VKF fans are installed into air ducts by means of connection flanges. The fans must be installed in such a way so that the direction of the arrow shown on the casing matches the direction of air flow in the system. The power is supplied via the remote-position terminal box. VKF fan installation:



The OVP fans are installed into air ducts by means of clamps. The OVP delivery package includes mounting brackets for attaching the units to the ceiling or a wall. The power is supplied via an external terminal box mounted to the fan casing. OVP fan installation:



The VKOM fans are installed into air duct by means of an RM reducer which enables joining different diameter ducts. Once done, the assembly is secured with clamps. The VKOM delivery package includes mounting brackets for attaching the units to a wall. The power is supplied via the remote-position terminal box. VKOM fan installation:



CONNECTION TO POWER MAINS



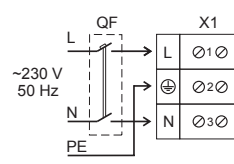
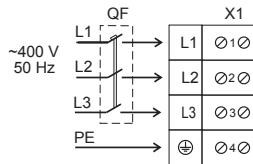
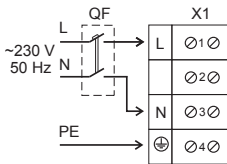
DISCONNECT THE FAN FROM THE POWER SUPPLY PRIOR TO ANY WORK PERFORMED ON THE UNIT. THE POWER MAINS CONNECTION SHALL ONLY BE PERFORMED BY A PROFESSIONAL ELECTRICIAN. THE NOMINAL ELECTRICAL PARAMETERS OF THE FAN ARE GIVEN ON THE MANUFACTURER'S LABEL. ANY TAMPERING WITH THE INTERNAL CONNECTIONS IS PROHIBITED AND WILL VOID THE WARRANTY.

The fan must be connected using durable, insulated and heat-resistant cables and wires. The external lead-in must be equipped with a QF automatic circuit breaker with a with magnetic trip built into the stationary wiring capable of disconnecting all the phases. The location of the QF external circuit breaker must ensure free access for quick shutdown of the fan. The protection trip current must be consistent with the current consumption of the fan (see «Technical data» on pages 6, 7 and 8). The fans are connected to the power mains in accordance with the applicable wiring diagram.

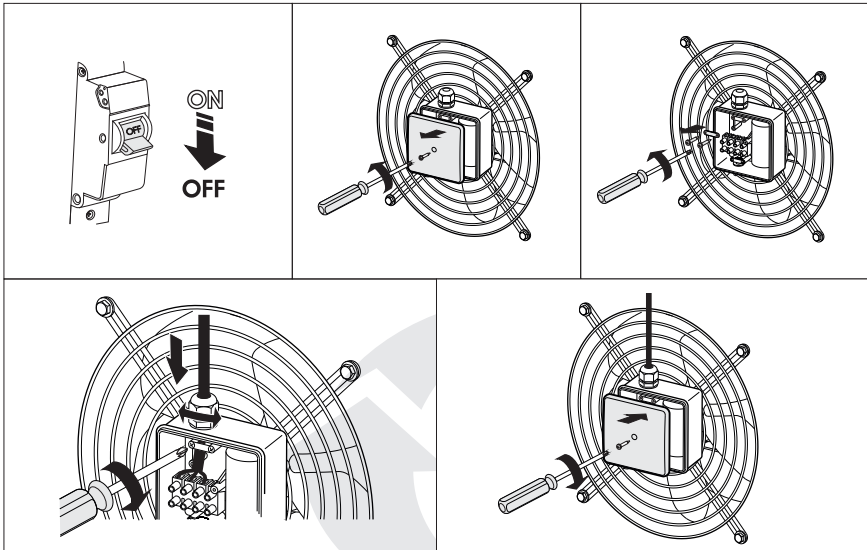
Connection of OV, OVK, VKF and OVP fans with single-phase motors to AC mains.

Connection of OV, OVK and VKF fans with three-phase motors to AC mains.

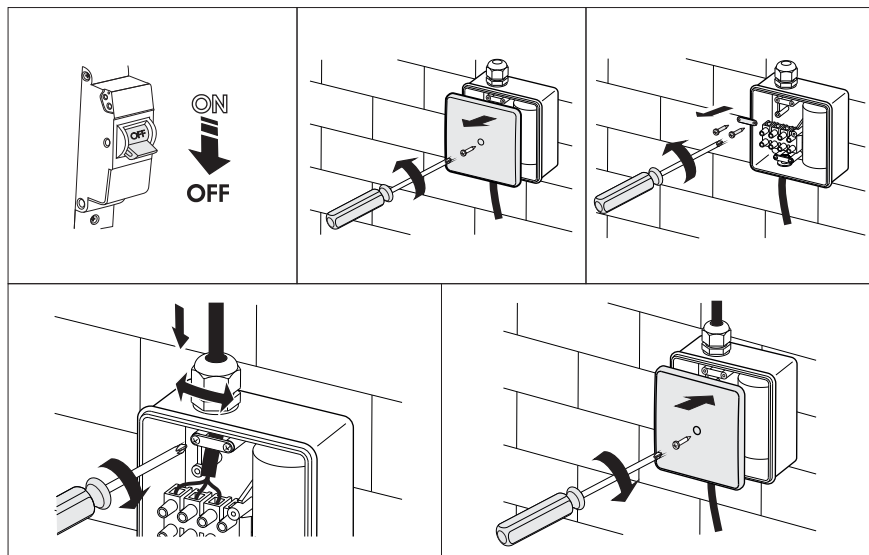
Connection of OV1, OV1 R, OVK1 and VKOM fans with single-phase motors to AC mains



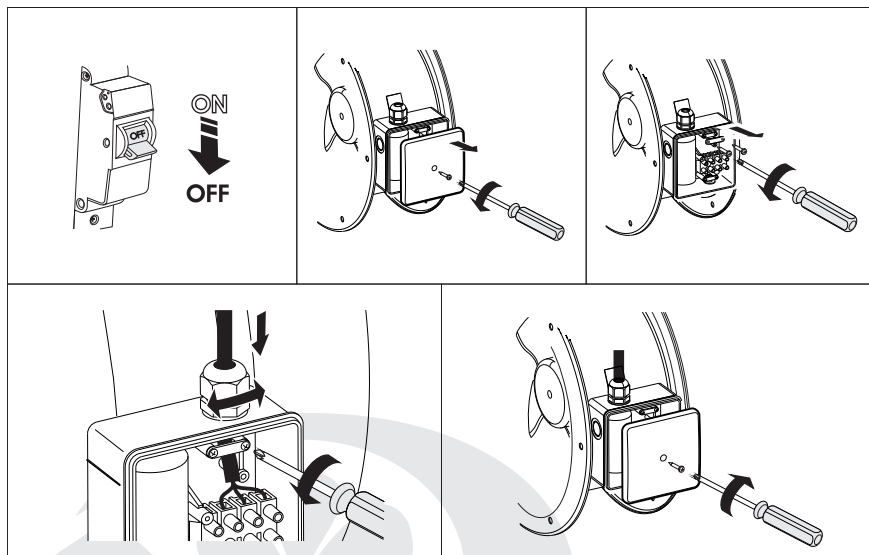
OV and OVK fan connection:



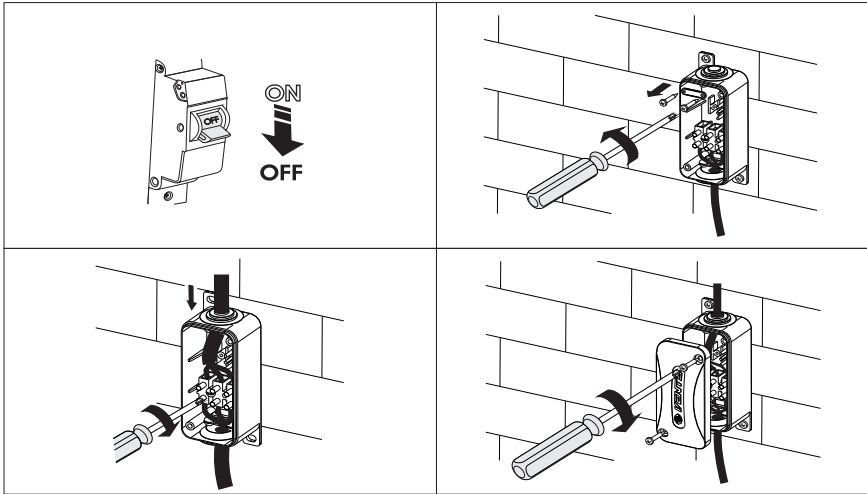
OV1 and OV1 R fan connection:



VKF (OVP) fan connection:



VKOM fan connection:



TECHNICAL MAINTENANCE



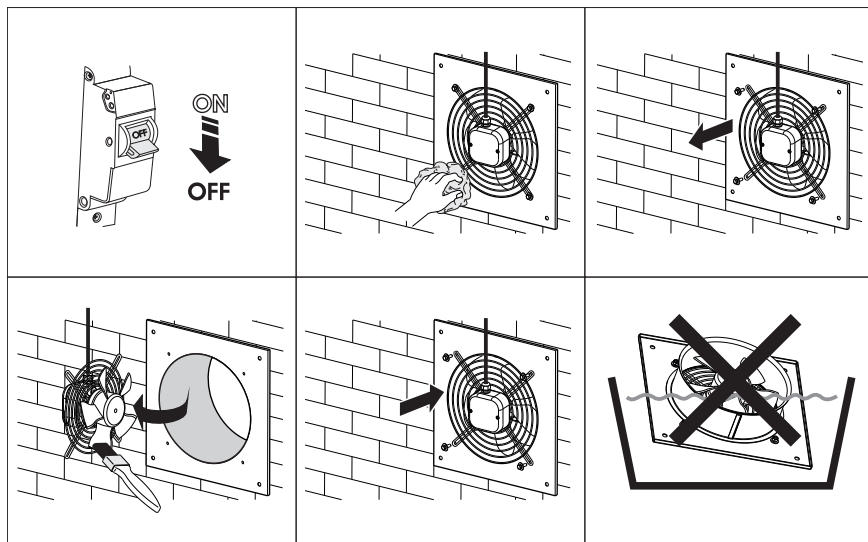
DISCONNECT THE FAN FROM POWER MAINS PRIOR TO ANY CLEANING OR TECHNICAL MAINTENANCE OPERATIONS.

All the operations specific to the technical maintenance must be performed upon disconnecting the fan from power mains. The technical maintenance includes periodic cleaning of the fan surfaces from dust and dirt. To dust off the metal parts of the fan use a dry soft brush or a stream of compressed air. Every 6 months clean the impeller with a warm detergent solution while avoiding water penetration onto the electric motor. Wipe the cleaned surfaces dry.

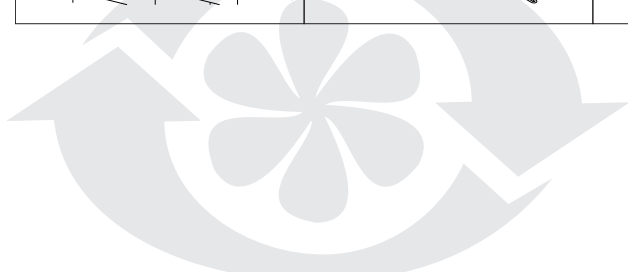
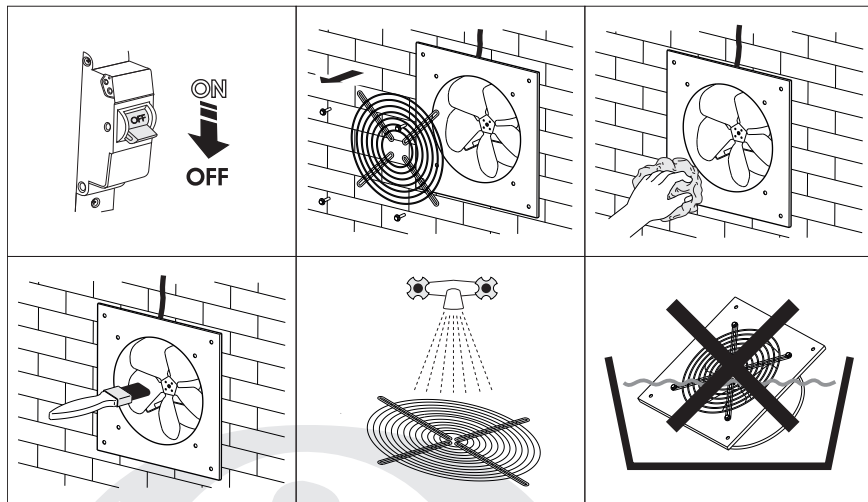
To carry out technical maintenance remove VKF, VKOM and OVP fans from the duct by undoing the retaining bolts on the VKF units or disconnecting the mounting clamps on the VKOM and OVP units. To carry out work on OV, OVK, OV1, OV1 R and OVK1 units undo bolt 4 and disconnect the grille and electric motor assembly from the casing.



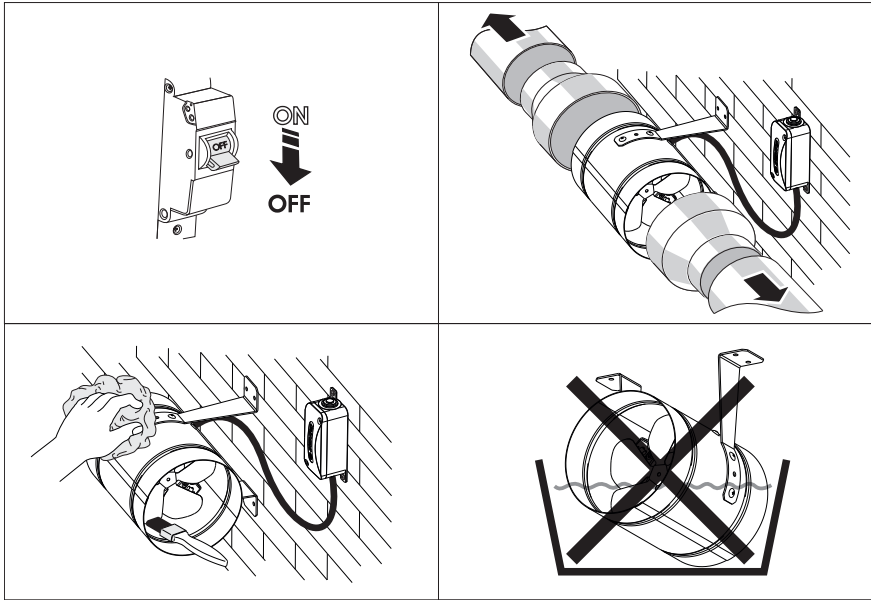
OV and OVK technical maintenance:



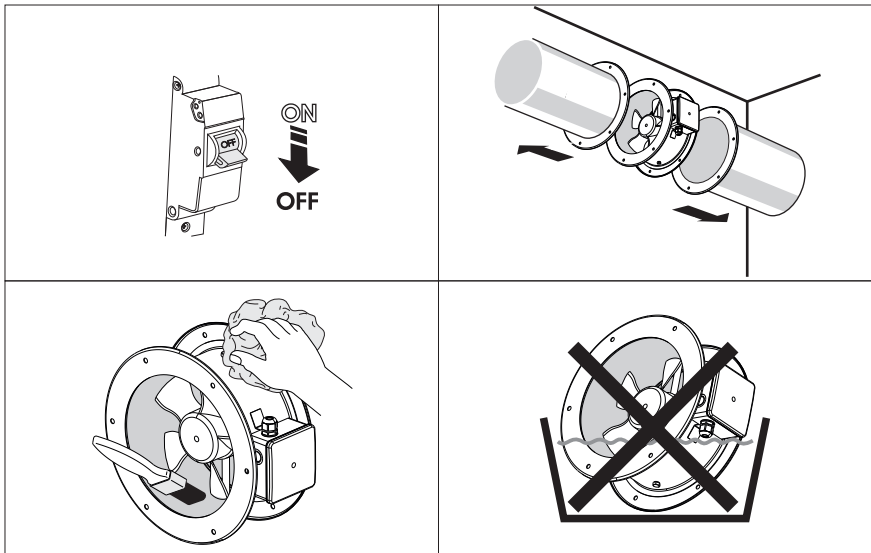
OV1 and OVK1 technical maintenance:



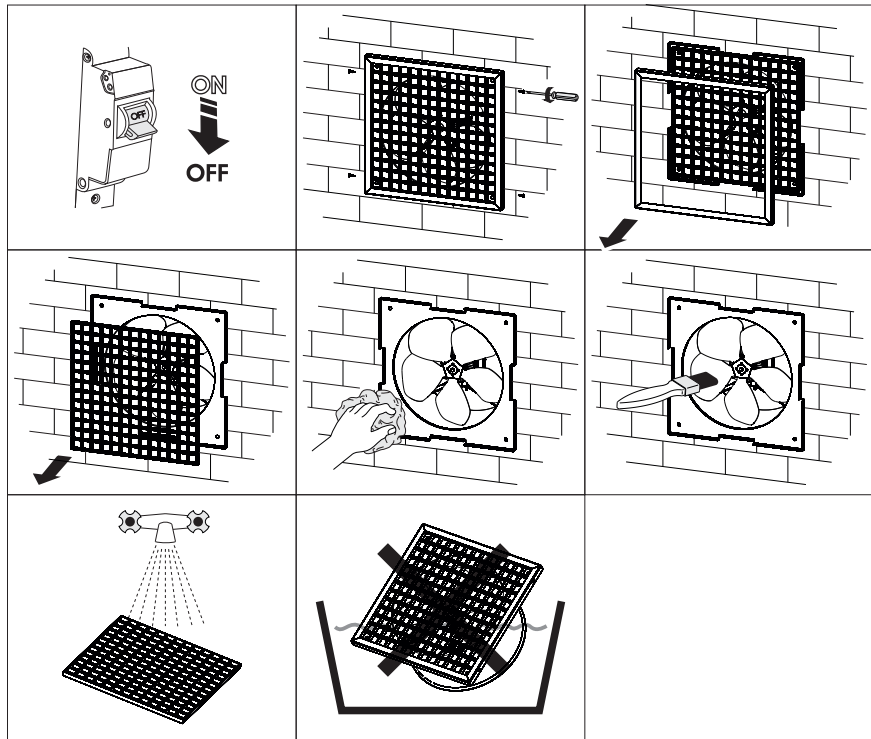
VKOM (OVP) technical maintenance:



VKF technical maintenance:



OV1 R technical maintenance:



■ TROUBLESHOOTING

Malfunction	Possible Reasons	Elimination method
The fan will not start on power-up.	No electric power.	Check the electrical connections and the power switch status.
	Motor jamming.	Switch off the fan. Eliminate the cause for the impeller clogging. Switch the fan back on.
The automatic breaker activates upon the unit power-up.	The automatic circuit breaker is triggered by abnormally high current consumption due to a short circuit.	Disconnect the fan from the power mains and contact the Seller. Do not switch on the fan again!
Low air flow.	Clogging of air ducts or other ventilation system elements due to contamination. Impeller contamination. Damaged air ducts. Closed air dampers.	Clean the air ducts and other ventilation system elements as well as the impeller. Check the air ducts for damage. Make sure that the air dampers and louvers are open.

If the malfunction is too complex to be eliminated on the spot contact the fan Seller.

■ STORAGE AND TRANSPORTATION REGULATIONS

The fans must be stored in the original packing in a dry ventilated area at temperatures from +5 °C to +40 °C.

Storage environment must not contain aggressive vapours and chemical mixtures provoking corrosion, insulation and sealing deformation.

Use suitable hoist machinery for handling and storage operations to prevent possible damage to the fan. Follow the handling requirements applicable for the particular type of cargo.

The unit can be carried in the original packing by any mode of transport provided proper protection against precipitation and mechanical damage.

Avoid sharp blows, scratches or rough handling during loading and unloading.



■ MANUFACTURER'S WARRANTY

The manufacturer hereby warrants normal operation (service life) of the fan over the period of 24 months from the retail sale date provided observance of the transportation, storage, installation and operation regulations.

Should any malfunctions occur in the course of the fan operation through the Manufacturer's fault during the guaranteed period of operation the user is entitled to elimination of faults by the manufacturer by means of warranty repair at the factory free of charge.

The warranty repair shall include work specific to elimination of faults in the fan operation to ensure its intended use by the user within the guaranteed period of operation. The faults are eliminated by means of replacement or repair of the fan components or a specific component of such a fan.

The warranty repair does not include:

- routine technical maintenance
- unit installation / dismantling
- unit setup

To benefit from warranty repair the user must provide the unit, the user's manual with the purchase date stamp and the payment document certifying the purchase.

The unit model must comply with the one stated in the user's manual.

Contact the Seller for warranty service.

The manufacturer's warranty does not apply to the following cases:

- User's failure to submit the unit with the entire delivery package as stated in the user's manual including submission with missing component parts previously dismantled by the user.
- Mismatch of the unit model and the brand name with the information stated on the unit packing and in the user's manual.
- User's failure to ensure timely technical maintenance of the unit.
- External damage to the unit casing (excluding external modifications as required for installation) and internal components caused by the user.
- Redesign or engineering changes to the unit.
- Replacement and use of any assemblies, parts and components not approved by the manufacturer.
- Unit misuse.
- User's violation of the unit installation regulations.
- User's violation of the unit control regulations.
- Unit connection to the power mains with a voltage different from the one stated in the user's manual.
- Unit breakdown due to voltage surges in the power mains.
- Discretionary repair of the unit by the user.
- Unit repair by any persons without the manufacturer's authorization.
- Expiration of the unit warranty period.
- User's violation of the unit transportation regulations.
- User's violation of the unit storage regulations.
- Wrongful actions against the unit committed by third parties.
- Unit breakdown due to circumstances of insuperable force (fire, flood, earthquake, war, hostilities of any kind, blockades).
- Missing seals if provided by the user's manual.
- Failure to submit the user's manual with the unit purchase date stamp.
- Missing payment document certifying the unit purchase.



FOLLOWING THE REGULATIONS STIPULATED HEREIN WILL ENSURE A LONG AND TROUBLE-FREE OPERATION OF THE UNIT.



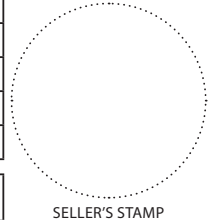
USERS' WARRANTY CLAIMS SHALL BE SUBJECT TO REVIEW ONLY UPON PRESENTATION OF THE UNIT, THE PAYMENT DOCUMENT AND THE USER'S MANUAL WITH THE PURCHASE DATE STAMP.

ACCEPTANCE CERTIFICATE

UNIT TYPE	Industrial electric axial fan
MODEL	<input type="checkbox"/> OV _____ <input type="checkbox"/> OVK _____ <input type="checkbox"/> OV1 _____ <input type="checkbox"/> OV1 R _____ <input type="checkbox"/> OVK1 _____ <input type="checkbox"/> VKF _____ <input type="checkbox"/> VKOM _____ <input type="checkbox"/> OVP _____
SERIAL NUMBER	
MANUFACTURE DATE	
Is compliant with the technical specifications and is recognized as serviceable. We hereby declare that the product complies with the essential protection requirements of Electromagnetic Council Directive 2004/108/EC, 89/336/EEC and Low Voltage Directive 2006/95/EC, 73/23/EEC and CE-marking Directive 93/68/EEC on the approximation of the laws of the Member States relating to electromagnetic compatibility. This certificate is issued following test carried out on samples of the product referred to above.	
QUALITY INSPECTOR'S STAMP	

SELLER INFORMATION

SELLER	
ADDRESS	
PHONE NUMBER	
E-MAIL	
PURCHASE DATE	
This is to certify acceptance of the complete unit delivery with the user's manual. The warranty terms are acknowledged and accepted.	
CUSTOMER'S SIGNATURE	



SELLER'S STAMP

CONNECTION CERTIFICATE

The industrial electric axial fan has been connected to power mains pursuant to the requirements stated in the present user's manual.

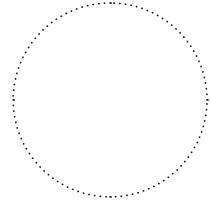
COMPANY NAME	
ADDRESS	
PHONE NUMBER	
INSTALLATION TECHNICIAN'S FULL NAME	
INSTALLATION DATE:	SIGNATURE:
This is to certify that the works specific to the unit installation has been performed in accordance with all the applicable provisions of local and national construction, electrical and technical codes and standards. The unit operates normally as intended by the manufacturer.	
SIGNATURE:	



INSTALLATION COMPANY STAMP

WARRANTY CARD

UNIT TYPE	Industrial electric axial fan
MODEL	<input type="checkbox"/> OV _____ <input type="checkbox"/> OVK _____ <input type="checkbox"/> OV1 _____ <input type="checkbox"/> OV1 R _____ <input type="checkbox"/> OVK1 _____ <input type="checkbox"/> VKF _____ <input type="checkbox"/> VKOM _____ <input type="checkbox"/> OVP _____
SERIAL NUMBER	
MANUFACTURE DATE	
PURCHASE DATE	
WARRANTY PERIOD	
SELLER	



SELLER'S STAMP

NOTES





