

| IT | QTY | PART NAME | MATERIAL |
|-----|-----------------|-----------------|---|
| NP | 1 | Name Plate | F316 |
| 1 | 1 | Handle | Carbon Steel + Epoxy Coated ¹⁾ |
| 2a | 1 | Handle nuts | F304 |
| 2b | 1 | | |
| 3 | 2 | Packing ring | PTFE |
| 4 | 2 | Spring washers | F316 Treated |
| 5 | 1 | Antistatic stem | F316/F316L Dual Certified |
| 6 | 1 | Gland packing | F316 |
| 7 | 1 | Thrust washer | PTFE |
| 8 | 1 | "O"ring stem | Viton |
| 9 | 1 | Ball | F316/F316L Dual Certified |
| 10 | 2 | Seats | PTFE |
| 10a | 2 | Seat Gasket | Viton |
| 11 | 2 | 1st Body seals | PTFE |
| 12 | 1 | Body | F316/F316L Dual Certified |
| 13 | 2 | End connections | F316/F316L Dual Certified |
| 14 | 1 | Stop-pin | F316 |
| 16 | 12 | Bolts | A193 B8 |
| 17 | 1 ²⁾ | Stop washer | F304 |
| 18 | 2 | 2nd Body seals | PTFE |

1) Carbon Steel+Plastic for DN65 - 2½"

2) Qty 0 for DN65 - 2½"

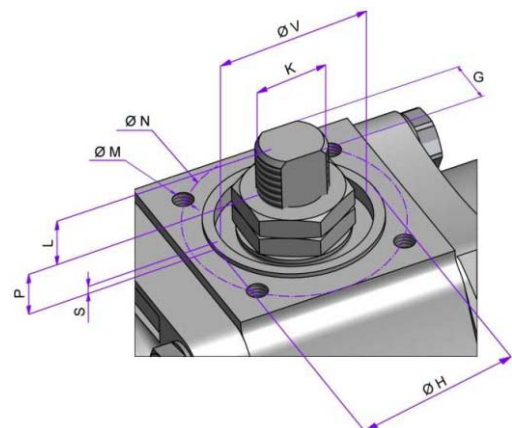
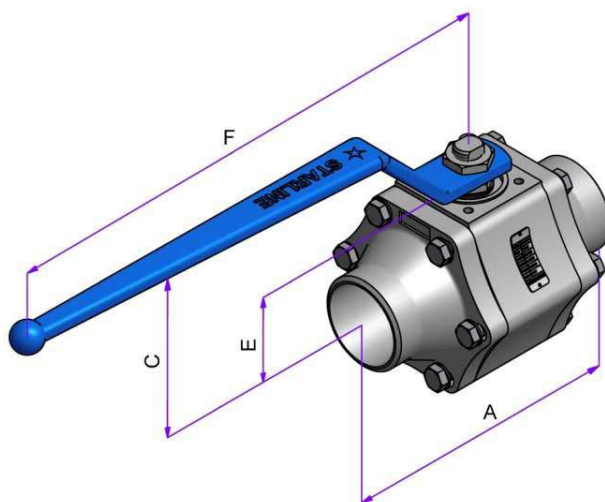
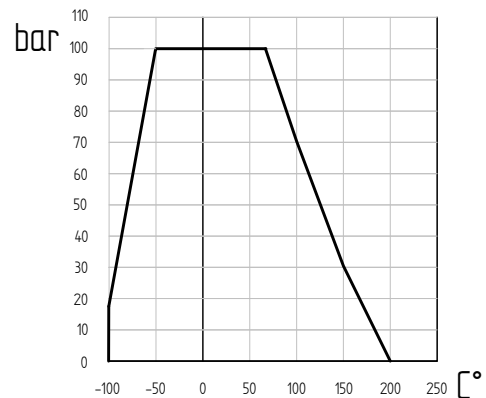
Recommended Spare Parts for Start-Up or Commissioning

Construction

- Floating ball
- Full Bore
- Soft Seat
- 3-piece construction
- Antistatic Stem
- Blow-out proof stem
- Bidirectional
- Double body seal
- Triple stem seal
- Encapsulated seats

General Features

- PED Cat III Mod H
- Atex II 2 GD
- TA-Luft
- ISO15848
- ISO5208 rate A
- SIL 3
- NACE MR0175/MR0103
- Degreased
- Country of Origin: Italy



| SIZE | | DIMENSIONS [mm] | | | | | WEIGHT | TORQUE |
|------|-----|-----------------|------|-----|------|-----|--------|--------|
| DN | | A | BORE | C | E | F | [kg] | [Nm] |
| 50 | 2" | 191 | 49 | 122 | 58,7 | 218 | 7 | 90 |
| 65 | 2½" | 210 | 62 | 136 | 70 | 420 | 14 | 110 |

| SIZE | | DIMENSIONS [mm] | | | | | | | | ISO5211 | |
|------|-----|-----------------|------|-----|----|---------|-----|----|----|---------|-----|
| DN | | L | P | S | V | K | G | H | N | M | |
| 50 | 2" | 12,5 | 12,5 | 1,5 | 30 | M15x1,5 | 8,9 | 35 | 50 | M6x10 | F05 |
| 65 | 2½" | 17 | 18 | 1,5 | 48 | M22x1,5 | 16 | 55 | 70 | M8x12 | F07 |

Torque values have been measured ΔP at max rating at room temperature (It must be understood that many factors can influence the torque)

Dimensions and weights are subject to change without notice.

Face to face dimensions not listed in industry standards are subject to change without notice.