

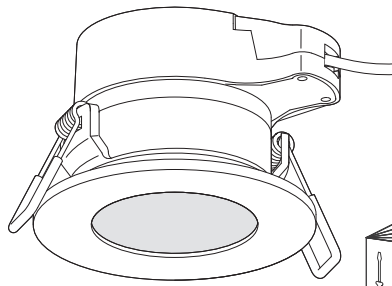
PHILIPS

ClearAccent

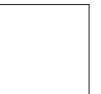
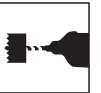
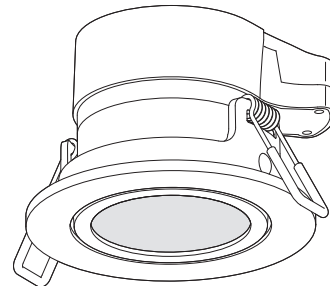
RS060B - RS061B



Fixed



Adjustable



220V~
240V

50Hz/
60Hz





IP20

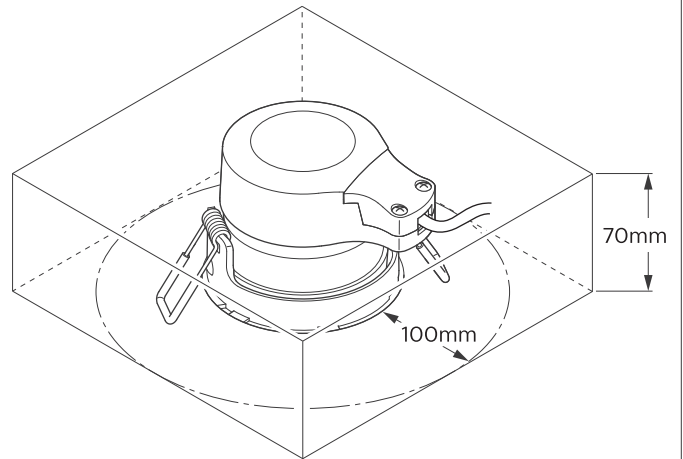
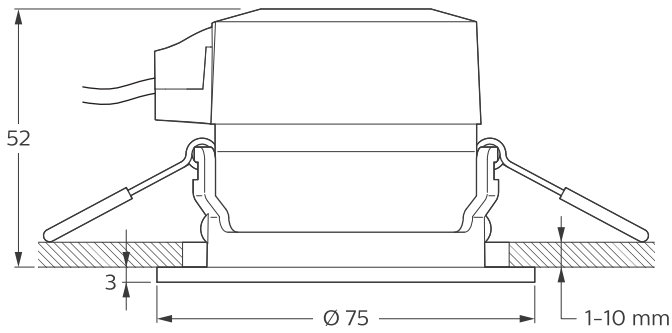
Ta
25°C

36°

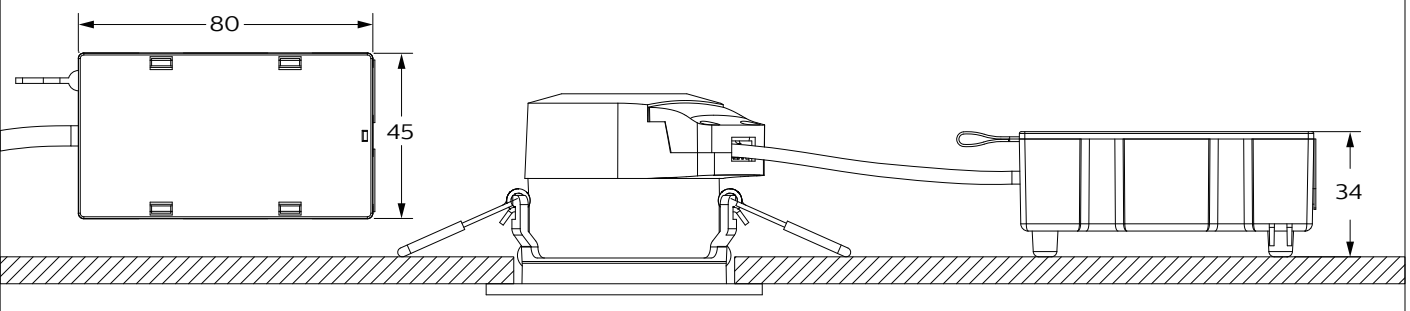
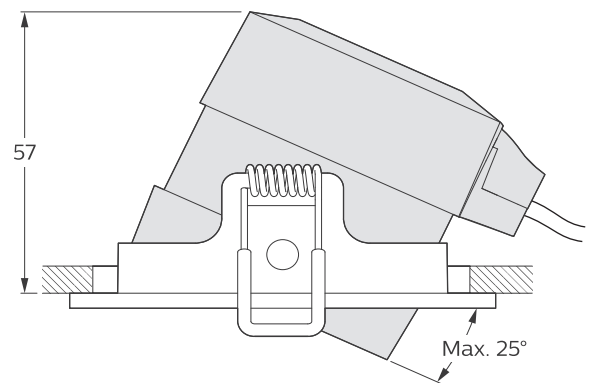
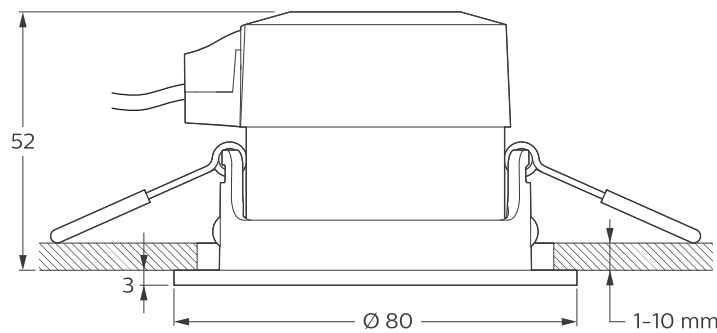


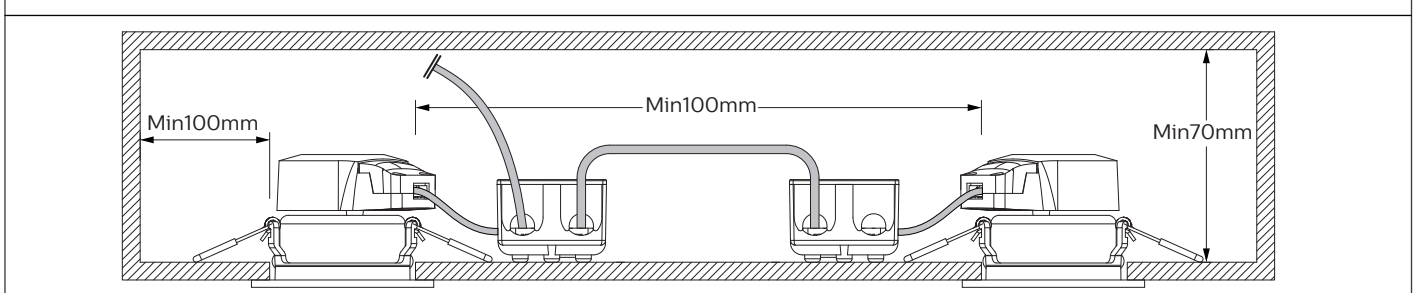
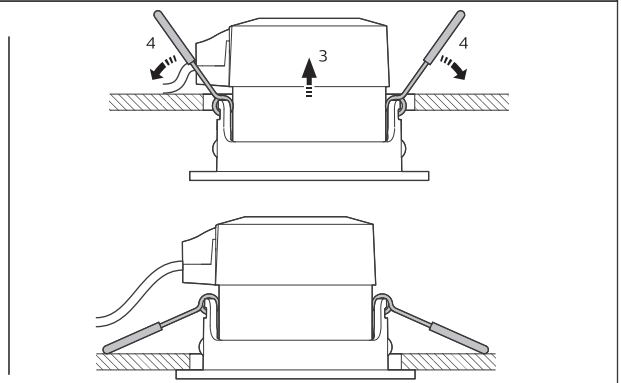
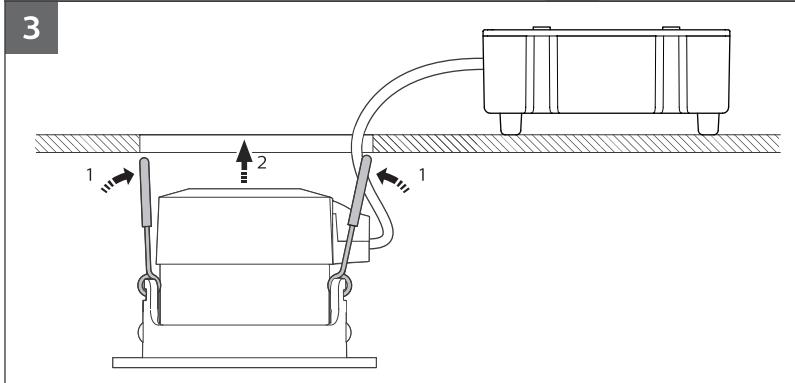
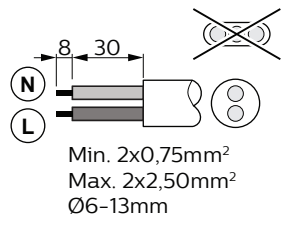
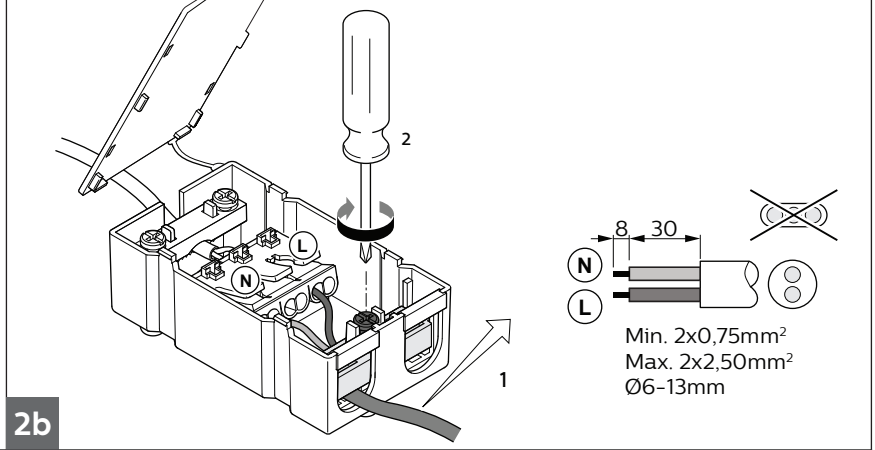
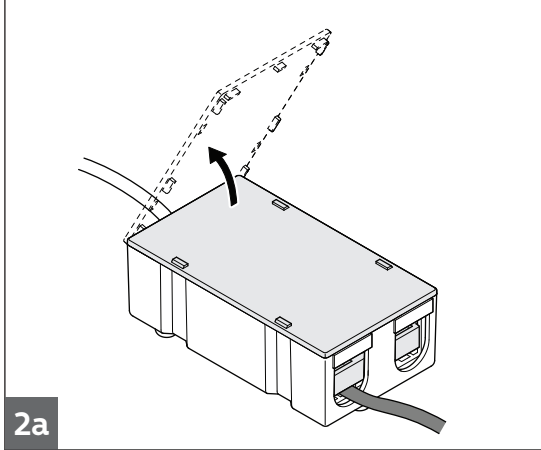
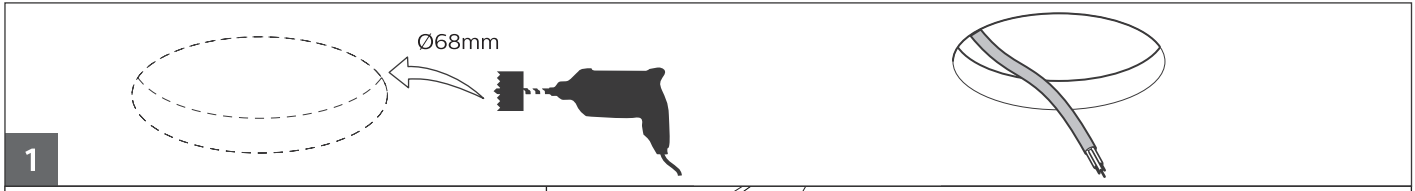
| | LEDs | Output (lm) | P (W) | A (mA) |  Ø mm |  |
|------------------------|--------|-------------|-------|--------|--|---|
| RS060B LED5 fixed | 1x LED | 500 | 6 | 26 | 68 | 0.10 |
| RS061B LED5 adjustable | | | | | | 0.11 |

Fixed



Adjustable





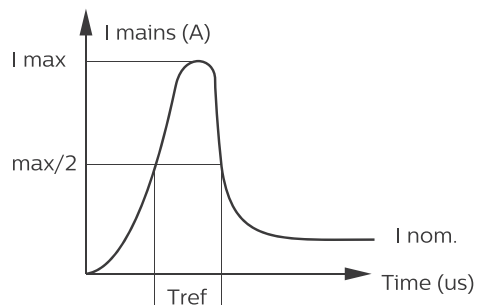
Recommended Max. number of inter-connected

| Power | Cross section area 0.75mm ² | Cross section area 2.5mm ² |
|-------|--|---------------------------------------|
| 6W | 75 | 244 |

Recommended Dimmer List

| Luminaire Power | Brand | Model | Max. fitting per dimmer |
|-----------------|---------------|---------------|-------------------------|
| 6W | Busch-Jaeger | 6523U | 17 |
| | RELCO | RP0977 | 10 |
| | RELCO | RM0545 | 20 |
| | Legrand | 067084 | 12 |
| | Legrand | 067085 | 10 |
| | Gira | 2390 00 / 100 | 17 |
| | Jung | 1271LEDDE | 17 |
| | MK | K1501 WHILV | 17 |
| | Vimar | 20148 | 17 |
| | Dynalite | DDLE801 | 17 |
| Dynalite | DDMC-GRMSPLUS | 15 | |

Inrush current



| Electrical characteristics | |
|----------------------------|-----------------|
| I _{max} (A) | 2/1.6 |
| T _{ref} (µs) | 82/60 |
| MCB | Downlights Max. |
| B-10 A | 48 |
| B-16 A | 48 |
| C-10 A | 48 |
| C-16 A | 48 |

The light source of this luminaire is not replaceable; when the light source reached its end of life the whole luminaire shall be replaced.

