



INDICATIVE PRODUCT IMAGE

**1.903,64 €**

### Product file

Code	RCMRKB2350806ED
Refrigerant	R454C mid
Application	MBP
Series	RCMRKB
Net weight	52 kg
Ped	0
Type	VENTILATED
Typology	Cubic

### Evaporator

Fan-motors no.	2
Fan blade diameter	350 mm
Fan-motor type	EC external rotor
Fan-motor voltage	200-240/1/50-60
Max velocity	1600 rpm
Min velocity	850 rpm
Air throw (high velocity)	14 m
Air throw (low velocity)	11 m
Evaporator air flow (high velocity)	4139 m <sup>3</sup> /h
Evaporator air flow (low velocity)	2487 m <sup>3</sup> /h

### Evaporator geometry

Geometry	37.5 X 32.475
Tube	TUBE 12
Rows	8
Finned pack length	1050 mm
Fine spacing	6.00 mm
Total surface	33.50 m <sup>2</sup>
Circuit volume	10.60 dm <sup>3</sup>

### Absorptions

Power absorption (high velocity)	230 W
Power absorption (low velocity)	78 W
Current absorption (high velocity)	1.72 A
Current absorption (low velocity)	0.64 A
Number of heaters	6
Heaters voltage	400/3/50-60
Defrost	4200 W

### Pipe fittings

Inlet connection	16 mm-5/8" sae
Outlet connection	28 mm
Discharge connection	1" Gas (33mm)

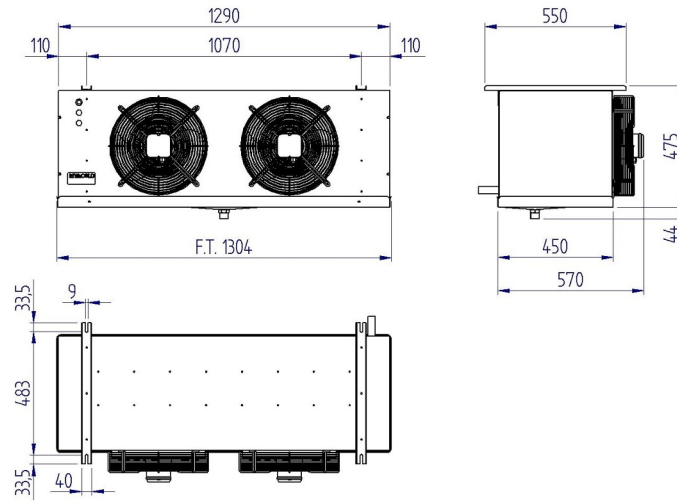
## Refrigeration capacity table – RCMRKB2350806ED – Refrigerant: R454C mid

Cell temperature	ΔT	Capacity	Speed	Limitations
-20 °C	9 K	7316 W	High speed	Application outside the recommended range
-20 °C	10 K	7926 W	High speed	Application outside the recommended range
-20 °C	11 K	8535 W	High speed	Application outside the recommended range
-20 °C	12 K	9146 W	High speed	Application outside the recommended range
-20 °C	13 K	9755 W	High speed	Application outside the recommended range
-20 °C	14 K	10364 W	High speed	Application outside the recommended range
-20 °C	15 K	10974 W	High speed	Application outside the recommended range
-15 °C	9 K	7698 W	High speed	-
-15 °C	10 K	8381 W	High speed	-
-15 °C	11 K	9063 W	High speed	-
-15 °C	12 K	9746 W	High speed	-
-15 °C	13 K	10428 W	High speed	-
-15 °C	14 K	11111 W	High speed	-
-15 °C	15 K	11793 W	High speed	-
-10 °C	9 K	8044 W	High speed	-
-10 °C	10 K	8782 W	High speed	-
-10 °C	11 K	9518 W	High speed	-
-10 °C	12 K	10255 W	High speed	-
-10 °C	13 K	10992 W	High speed	-
-10 °C	14 K	11729 W	High speed	-
-10 °C	15 K	12467 W	High speed	-
-5 °C	9 K	8544 W	High speed	-
-5 °C	10 K	9373 W	High speed	-
-5 °C	11 K	10201 W	High speed	-
-5 °C	12 K	11029 W	High speed	-
-5 °C	13 K	11857 W	High speed	-
-5 °C	14 K	12685 W	High speed	-
-5 °C	15 K	13514 W	High speed	-
0 °C	9 K	9191 W	High speed	-
0 °C	10 K	10010 W	High speed	-
0 °C	11 K	10829 W	High speed	-
0 °C	12 K	11648 W	High speed	-
0 °C	13 K	12467 W	High speed	-
0 °C	14 K	13286 W	High speed	-
0 °C	15 K	14105 W	High speed	-
2 °C	9 K	9282 W	High speed	-
2 °C	10 K	10192 W	High speed	-
2 °C	11 K	11102 W	High speed	-
2 °C	12 K	12012 W	High speed	-
2 °C	13 K	12922 W	High speed	-
2 °C	14 K	13832 W	High speed	-
2 °C	15 K	14742 W	High speed	-
4 °C	9 K	9464 W	High speed	-
4 °C	10 K	10283 W	High speed	-
4 °C	11 K	11102 W	High speed	-
4 °C	12 K	11921 W	High speed	-
4 °C	13 K	12740 W	High speed	-
4 °C	14 K	13559 W	High speed	-
4 °C	15 K	14378 W	High speed	-

Cell temperature	$\Delta T$	Capacity	Speed	Limitations
6 °C	9 K	9555 W	High speed	-
6 °C	10 K	10465 W	High speed	-
6 °C	11 K	11375 W	High speed	-
6 °C	12 K	12285 W	High speed	-
6 °C	13 K	13195 W	High speed	-
6 °C	14 K	14105 W	High speed	-
6 °C	15 K	15015 W	High speed	-
8 °C	9 K	9737 W	High speed	-
8 °C	10 K	10647 W	High speed	-
8 °C	11 K	11557 W	High speed	-
8 °C	12 K	12467 W	High speed	-
8 °C	13 K	13377 W	High speed	-
8 °C	14 K	14287 W	High speed	-
8 °C	15 K	15197 W	High speed	-
10 °C	9 K	10010 W	High speed	-
10 °C	10 K	10829 W	High speed	-
10 °C	11 K	11648 W	High speed	-
10 °C	12 K	12467 W	High speed	-
10 °C	13 K	13286 W	High speed	-
10 °C	14 K	14105 W	High speed	-
10 °C	15 K	14924 W	High speed	-
12 °C	9 K	10283 W	High speed	-
12 °C	10 K	11193 W	High speed	-
12 °C	11 K	12103 W	High speed	-
12 °C	12 K	13013 W	High speed	-
12 °C	13 K	13923 W	High speed	-
12 °C	14 K	14833 W	High speed	-
12 °C	15 K	15743 W	High speed	-
15 °C	9 K	10693 W	High speed	-
15 °C	10 K	11739 W	High speed	-
15 °C	11 K	12786 W	High speed	-
15 °C	12 K	13832 W	High speed	-
15 °C	13 K	14879 W	High speed	-
15 °C	14 K	15925 W	High speed	-
15 °C	15 K	16972 W	High speed	-

*For refrigerants with high glide, the DeltaT at mid-point cannot be too low: there is a risk that the refrigerant outlet temperature, taking into account the necessary superheating, will be too close to the air inlet temperature; If this were to occur, the exchanger could not function.*

## Technical drawings – RCMRKB2350806ED





INDICATIVE PRODUCT IMAGE

## • GENERAL FEATURES

- RCMR ø350 range unit coolers have been designed to be installed inside cold rooms suited for fresh and frozen goods storage
- This range completes the RC and RCS range applications and though having extremely compact dimensions, reaches bigger capacities suited for medium size cold rooms
- RCMR ø350 range is available in different combinations of fin spacing dimensions and tube rows properly sized according to the needed applications
- The RCMRKB range is supplied as standard with EC fan motors (Identified by the letter "B") and blade with special profile for combining higher efficiency and low absorption.
- Thermostat: system to be connected to the external contactor, to suspend the power supply to the defrosting heaters in the event of malfunction.
- The ED version is supplied with mounted defrosting heaters and is suitable for being used at low temperature applications
- The fan motors operate in the suction mode and prevent the condensate forming on the fan
- The coil is made of aluminium fins, 12 mm copper tube and a geometry of 37,5 x 32,5
- RCMR ø350 unit coolers can be classified in three groups according to the needed cold room temperature (Tc): 4mm fin spacing for a Tc from -5°C to +15°C; 6mm fin spacing for a Tc from -20°C to +15°C; 8mm fin spacing for a Tc from -40°C to +4°C.
- The coils are tested with nitrogen at a pressure of 25 bar.
- The fan motor models in use have the following features:
  - Manufactured following EN 60335-1 laws, with internal thermal protection
  - Fan diameter 350 mm, external rotor
  - Power supply 230-240V/1/50-60Hz
  - IP44 protection rate
  - F insulation class
  - operating temperature -40°C a +65°C
  - Electrics made in conformity with 2006/95/CE Low Tension directive
- The housing is made of aluminium
- The manufacturing solutions used give the housing strength and guarantee the absence of vibrations during the functioning.
- Screws, washers and nuts are made of stainless steel