



INDICATIVE PRODUCT IMAGE

1.903,64 €

Product file

Code	RCMRKB2350806ED
Refrigerant	R452A
Application	MBP
Series	RCMRKB
Net weight	52 kg
Ped	0
Type	VENTILATED
Typology	Cubic

Evaporator

Fan-motors no.	2
Fan blade diameter	350 mm
Fan-motor type	EC external rotor
Fan-motor voltage	200-240/1/50-60
Max velocity	1600 rpm
Min velocity	850 rpm
Air throw (high velocity)	14 m
Air throw (low velocity)	11 m
Evaporator air flow (high velocity)	4139 m ³ /h
Evaporator air flow (low velocity)	2487 m ³ /h

Evaporator geometry

Geometry	37.5 X 32.475
Tube	TUBE 12
Rows	8
Finned pack length	1050 mm
Fine spacing	6.00 mm
Total surface	33.50 m ²
Circuit volume	10.60 dm ³

Absorptions

Power absorption (high velocity)	230 W
Power absorption (low velocity)	78 W
Current absorption (high velocity)	1.72 A
Current absorption (low velocity)	0.64 A
Number of heaters	6
Heaters voltage	400/3/50-60
Defrost	4200 W

Pipe fittings

Inlet connection	16 mm-5/8" sae
Outlet connection	28 mm
Discharge connection	1" Gas (33mm)

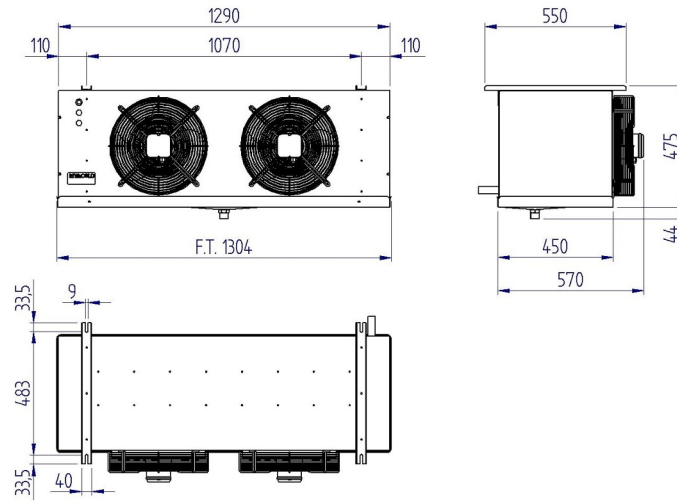
Refrigeration capacity table – RCMRKB2350806ED – Refrigerant: R452A

Cell temperature	ΔT	Capacity	Speed	Limitations
-20 °C	5 K	5236 W	High speed	Application outside the recommended range
-20 °C	6 K	6226 W	High speed	Application outside the recommended range
-20 °C	7 K	7106 W	High speed	Application outside the recommended range
-20 °C	8 K	8052 W	High speed	Application outside the recommended range
-20 °C	9 K	8844 W	High speed	Application outside the recommended range
-20 °C	10 K	9581 W	High speed	Application outside the recommended range
-15 °C	5 K	5511 W	High speed	-
-15 °C	6 K	6479 W	High speed	-
-15 °C	7 K	7403 W	High speed	-
-15 °C	8 K	8316 W	High speed	-
-15 °C	9 K	9306 W	High speed	-
-15 °C	10 K	10131 W	High speed	-
-10 °C	5 K	5830 W	High speed	-
-10 °C	6 K	6853 W	High speed	-
-10 °C	7 K	7821 W	High speed	-
-10 °C	8 K	8800 W	High speed	-
-10 °C	9 K	9724 W	High speed	-
-10 °C	10 K	10616 W	High speed	-
-5 °C	5 K	6259 W	High speed	-
-5 °C	6 K	7316 W	High speed	-
-5 °C	7 K	8327 W	High speed	-
-5 °C	8 K	9350 W	High speed	-
-5 °C	9 K	10329 W	High speed	-
-5 °C	10 K	11330 W	High speed	-
0 °C	5 K	6820 W	High speed	-
0 °C	6 K	7909 W	High speed	-
0 °C	7 K	8932 W	High speed	-
0 °C	8 K	10032 W	High speed	-
0 °C	9 K	11110 W	High speed	-
0 °C	10 K	12100 W	High speed	-
2 °C	5 K	6908 W	High speed	-
2 °C	6 K	8008 W	High speed	-
2 °C	7 K	9076 W	High speed	-
2 °C	8 K	10186 W	High speed	-
2 °C	9 K	11220 W	High speed	-
2 °C	10 K	12320 W	High speed	-
4 °C	5 K	7007 W	High speed	-
4 °C	6 K	8118 W	High speed	-
4 °C	7 K	9186 W	High speed	-
4 °C	8 K	10329 W	High speed	-
4 °C	9 K	11440 W	High speed	-
4 °C	10 K	12430 W	High speed	-
6 °C	5 K	7238 W	High speed	-
6 °C	6 K	8272 W	High speed	-
6 °C	7 K	9328 W	High speed	-
6 °C	8 K	10483 W	High speed	-
6 °C	9 K	11550 W	High speed	-
6 °C	10 K	12650 W	High speed	-
8 °C	5 K	7491 W	High speed	-

Cell temperature	ΔT	Capacity	Speed	Limitations
8 °C	6 K	8558 W	High speed	-
8 °C	7 K	9581 W	High speed	-
8 °C	8 K	10681 W	High speed	-
8 °C	9 K	11770 W	High speed	-
8 °C	10 K	12870 W	High speed	-
10 °C	5 K	7766 W	High speed	-
10 °C	6 K	8833 W	High speed	-
10 °C	7 K	9856 W	High speed	-
10 °C	8 K	11000 W	High speed	-
10 °C	9 K	12100 W	High speed	-
10 °C	10 K	13090 W	High speed	-
12 °C	5 K	8052 W	High speed	-
12 °C	6 K	9130 W	High speed	-
12 °C	7 K	10153 W	High speed	-
12 °C	8 K	11330 W	High speed	-
12 °C	9 K	12430 W	High speed	-
12 °C	10 K	13530 W	High speed	-
15 °C	5 K	8481 W	High speed	-
15 °C	6 K	9575 W	High speed	-
15 °C	7 K	10598 W	High speed	-
15 °C	8 K	11826 W	High speed	-
15 °C	9 K	12926 W	High speed	-
15 °C	10 K	14190 W	High speed	-

For refrigerants with high glide, the DeltaT at mid-point cannot be too low: there is a risk that the refrigerant outlet temperature, taking into account the necessary superheating, will be too close to the air inlet temperature; If this were to occur, the exchanger could not function.

Technical drawings – RCMRKB2350806ED





INDICATIVE PRODUCT IMAGE

• GENERAL FEATURES

- RCMR ø350 range unit coolers have been designed to be installed inside cold rooms suited for fresh and frozen goods storage
- This range completes the RC and RCS range applications and though having extremely compact dimensions, reaches bigger capacities suited for medium size cold rooms
- RCMR ø350 range is available in different combinations of fin spacing dimensions and tube rows properly sized according to the needed applications
- The RCMRKB range is supplied as standard with EC fan motors (Identified by the letter "B") and blade with special profile for combining higher efficiency and low absorption.
- Thermostat: system to be connected to the external contactor, to suspend the power supply to the defrosting heaters in the event of malfunction.
- The ED version is supplied with mounted defrosting heaters and is suitable for being used at low temperature applications
- The fan motors operate in the suction mode and prevent the condensate forming on the fan
- The coil is made of aluminium fins, 12 mm copper tube and a geometry of 37,5 x 32,5
- RCMR ø350 unit coolers can be classified in three groups according to the needed cold room temperature (Tc): 4mm fin spacing for a Tc from -5°C to +15°C; 6mm fin spacing for a Tc from -20°C to +15°C; 8mm fin spacing for a Tc from -40°C to +4°C.
- The coils are tested with nitrogen at a pressure of 25 bar.
- The fan motor models in use have the following features:
 - Manufactured following EN 60335-1 laws, with internal thermal protection
 - Fan diameter 350 mm, external rotor
 - Power supply 230-240V/1/50-60Hz
 - IP44 protection rate
 - F insulation class
 - operating temperature -40°C a +65°C
 - Electrics made in conformity with 2006/95/CE Low Tension directive
- The housing is made of aluminium
- The manufacturing solutions used give the housing strength and guarantee the absence of vibrations during the functioning.
- Screws, washers and nuts are made of stainless steel