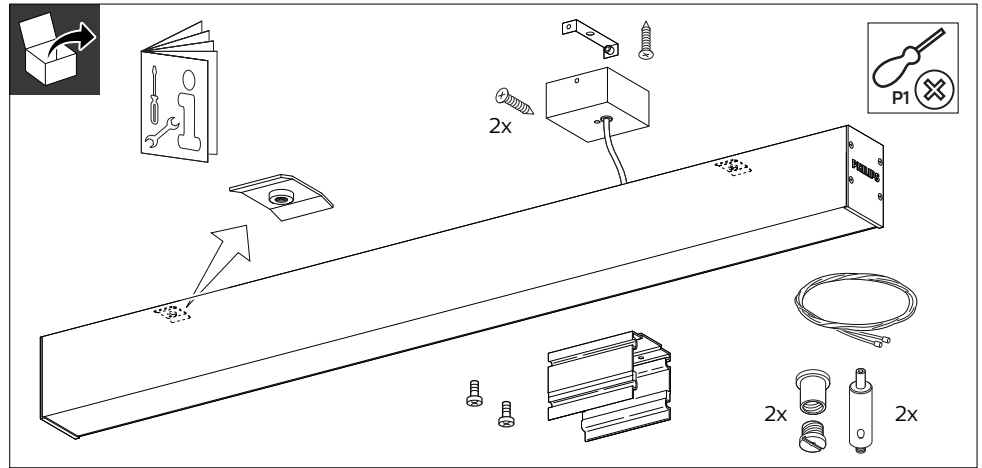


PHILIPS

Plainview

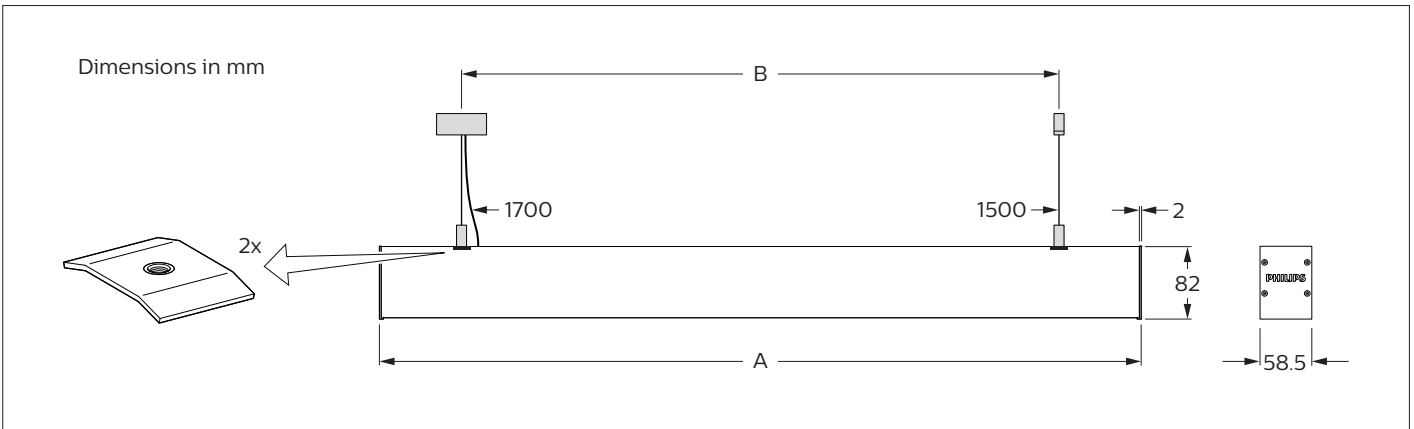
SP140P



		Driver PSU/PSD		A	B	
Suspended	SP	40W	L120	1135	560 - 680	2.7
		50W	L150	1415	700 - 960	3.2

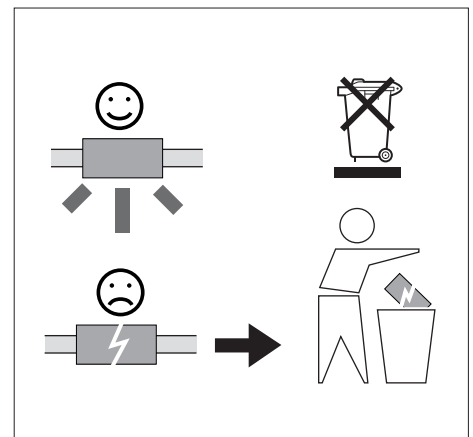
- The luminaire shall be installed by a qualified electrician and wired in accordance with the latest IEE electrical regulations or the national requirements.
- The light source contained in this luminaire shall only be replaced by the manufacturer or his service agent or a similar qualified person.

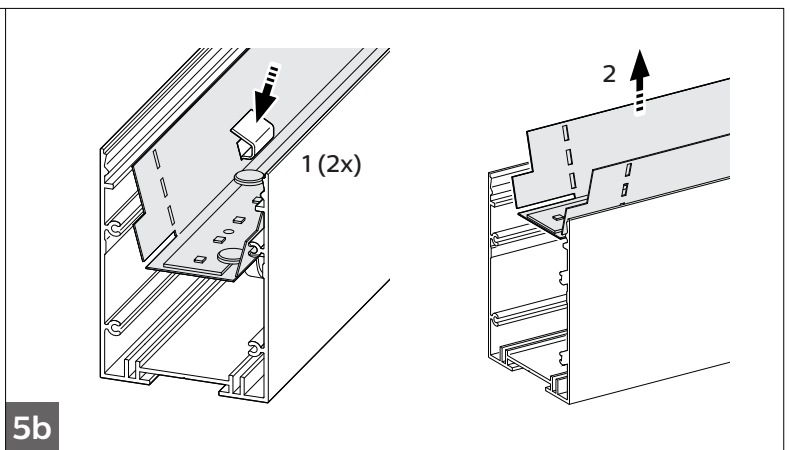
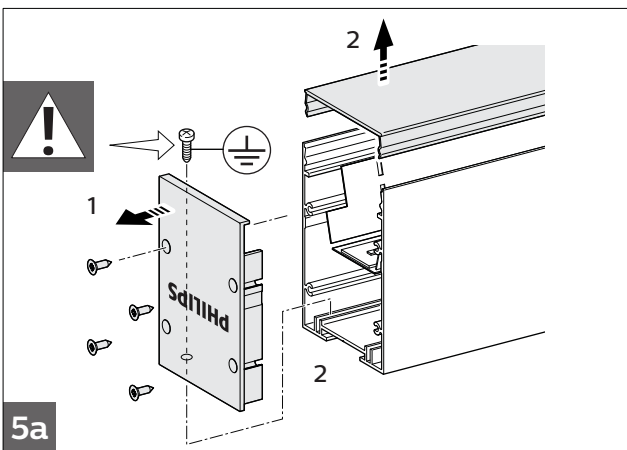
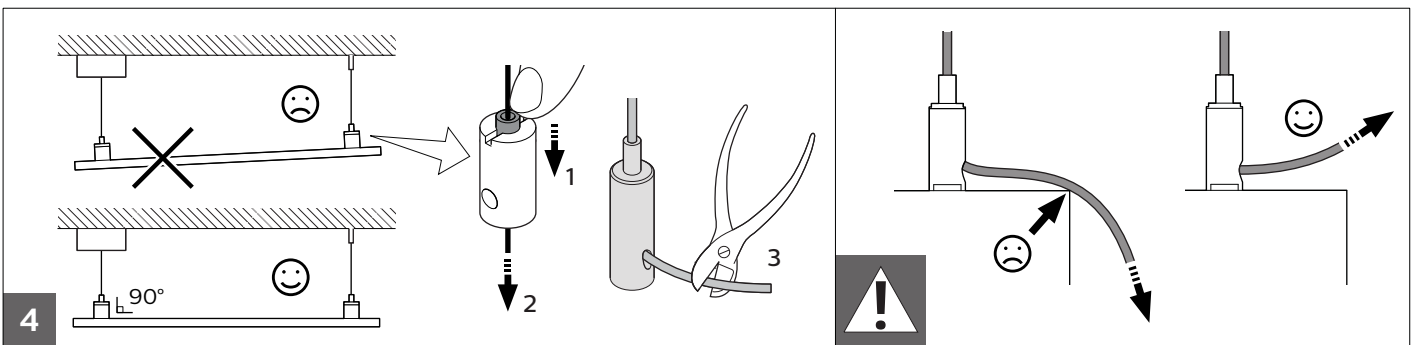
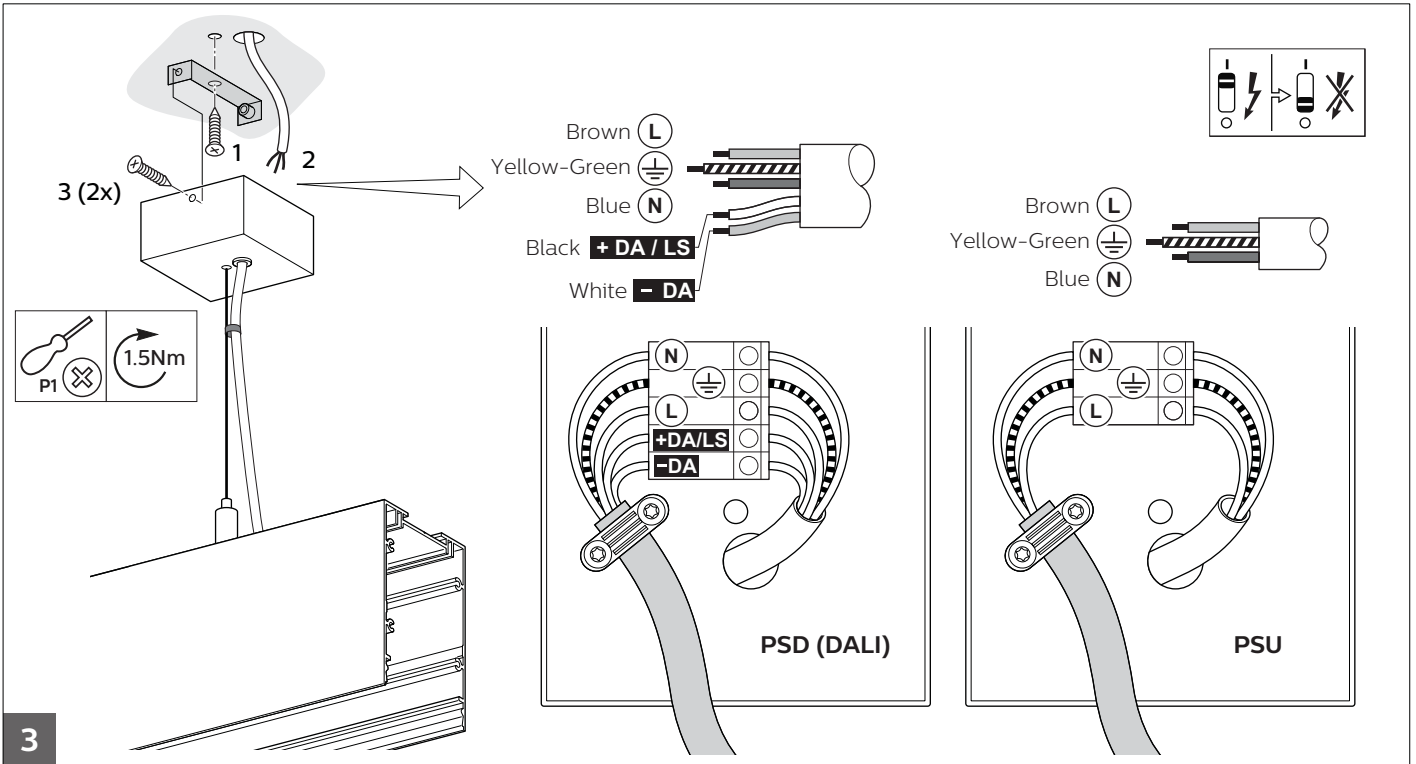
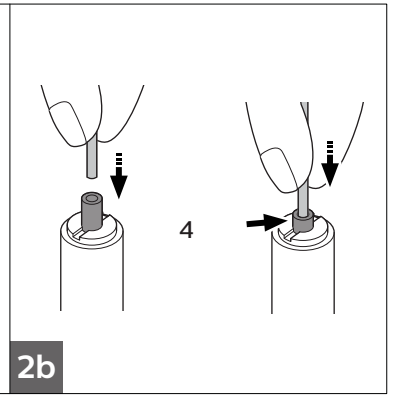
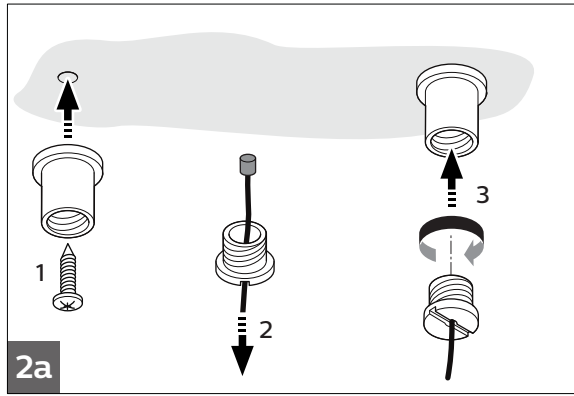
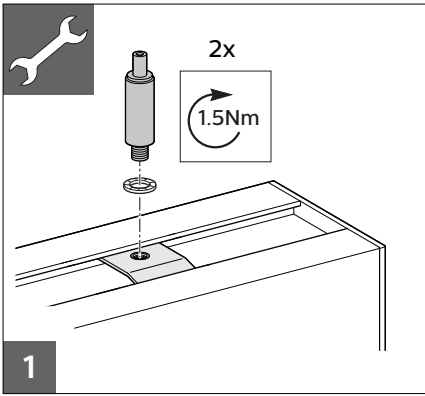
ATTENTION
OBSERVE PRECAUTIONS
FOR HANDLING
**ELECTROSTATIC
SENSITIVE
DEVICES**

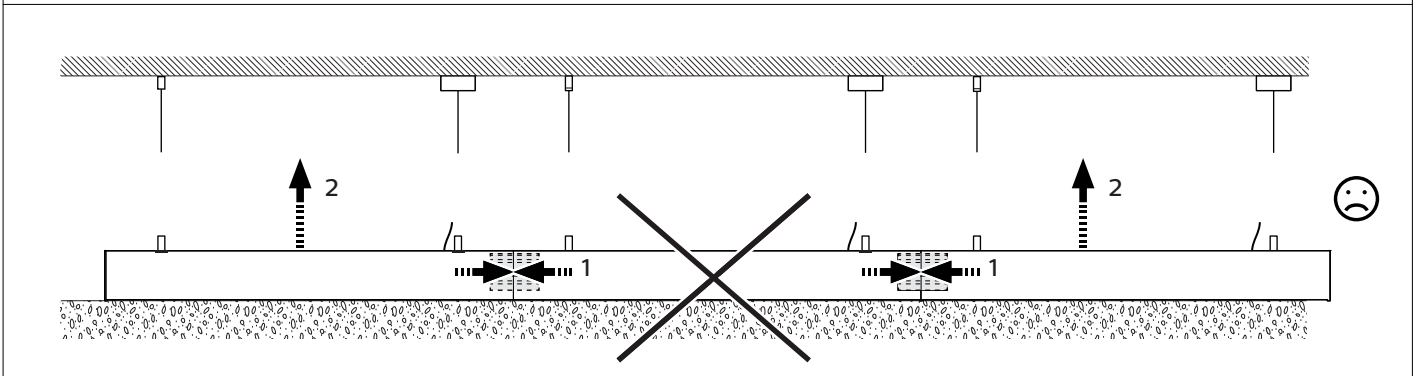
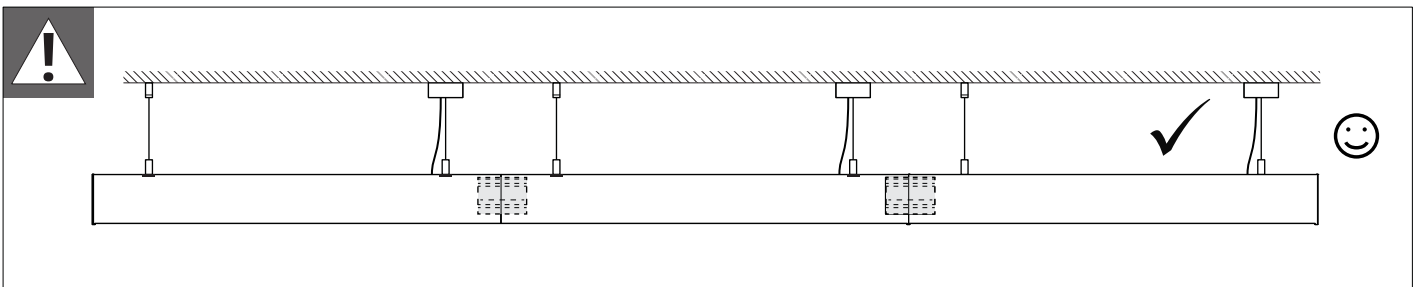
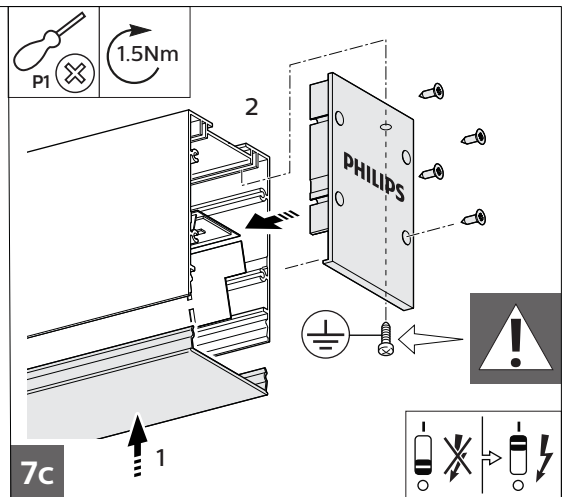
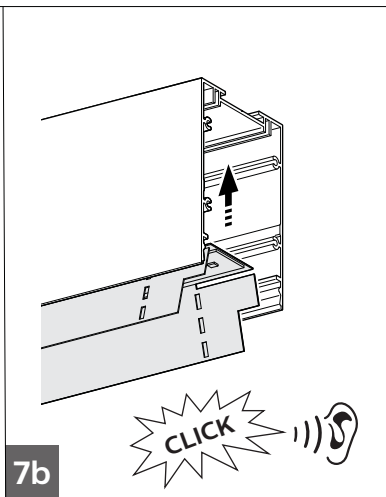
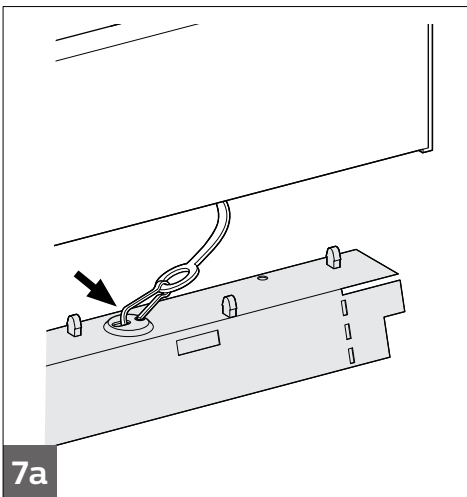
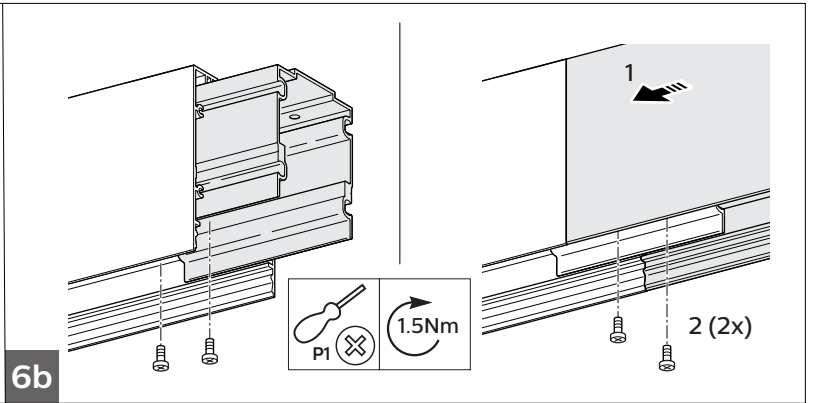
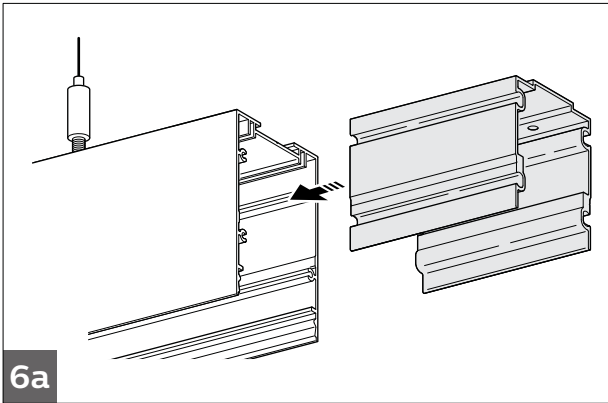
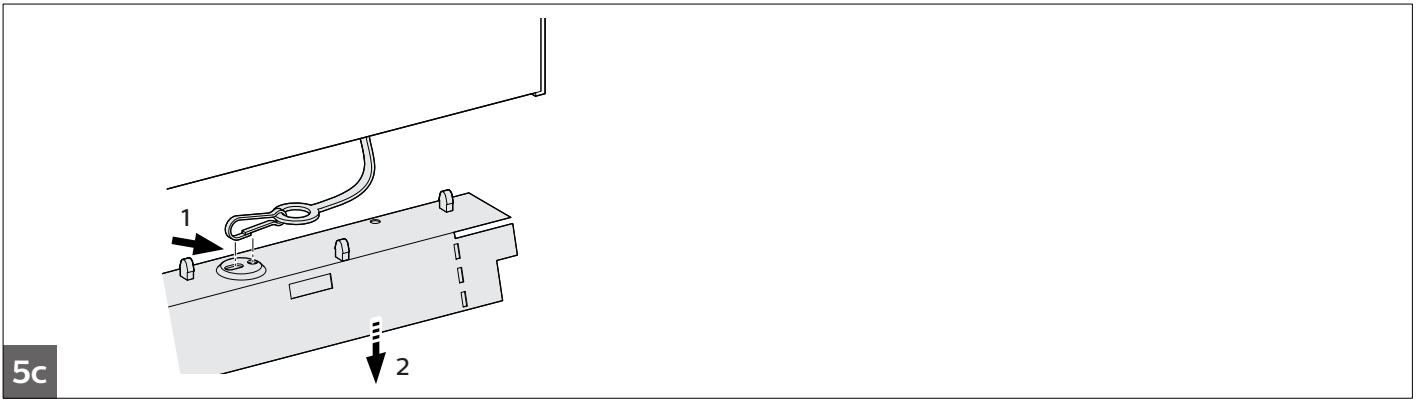


Inrush current

Electrical characteristics	
I _{max} (A)	22
T _{ref} (μs)	275
MCB	%
B-10 A	63
B-13 A	81
B-16 A	100
C-10 A	104
C-13 A	135
C-16 A	170









© 2017 Philips Lighting Holding B.V.

All rights reserved. Reproduction in whole or in part is prohibited without the prior written consent of the copyright owner. The information presented in this document does not form part of any quotation or contract, is believed to be accurate and reliable and may be changed without notice. No liability will be accepted by the publisher for any consequence of its use. Publication thereof does not convey nor imply any license under patent- or other industrial or intellectual property rights.

Philips Lighting Holding B.V.
The Netherlands