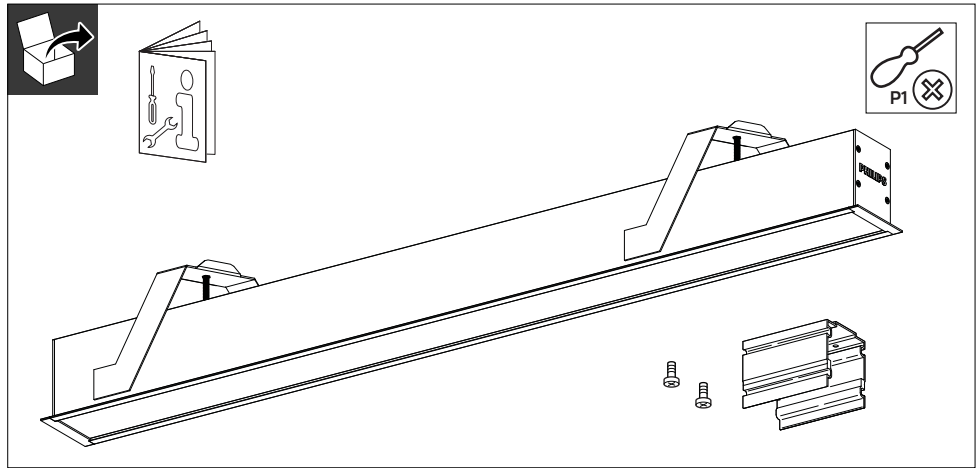


# PHILIPS

## Plainview

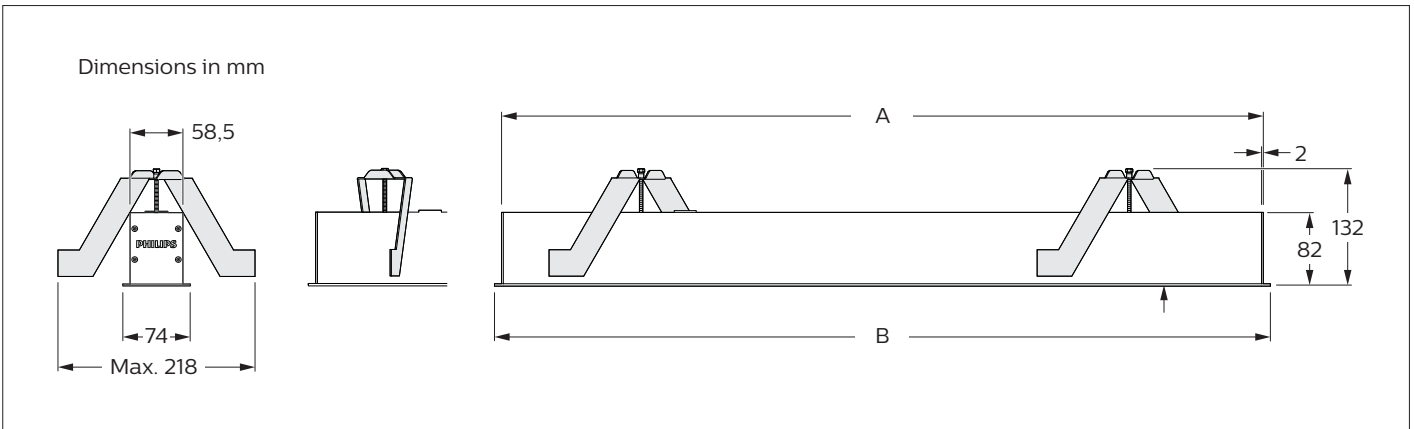
RC140B



|          |    | Driver<br>PSU/PSD |      | A    | B    |           |     |
|----------|----|-------------------|------|------|------|-----------|-----|
| Recessed | RC | 40W               | L120 | 1135 | 1150 | 65 x 1140 | 2.8 |
|          |    | 50W               | L150 | 1415 | 1430 | 65 x 1420 | 3.3 |

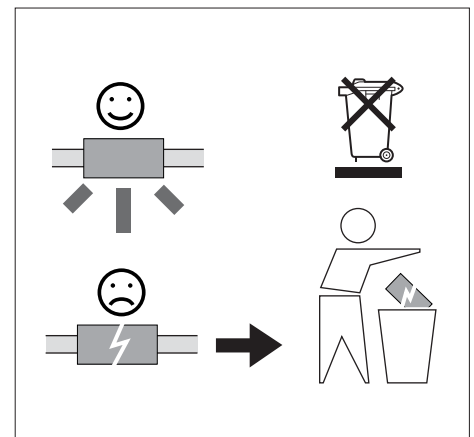
- The luminaire shall be installed by a qualified electrician and wired in accordance with the latest IEE electrical regulations or the national requirements.
- The light source contained in this luminaire shall only be replaced by the manufacturer or his service agent or a similar qualified person.

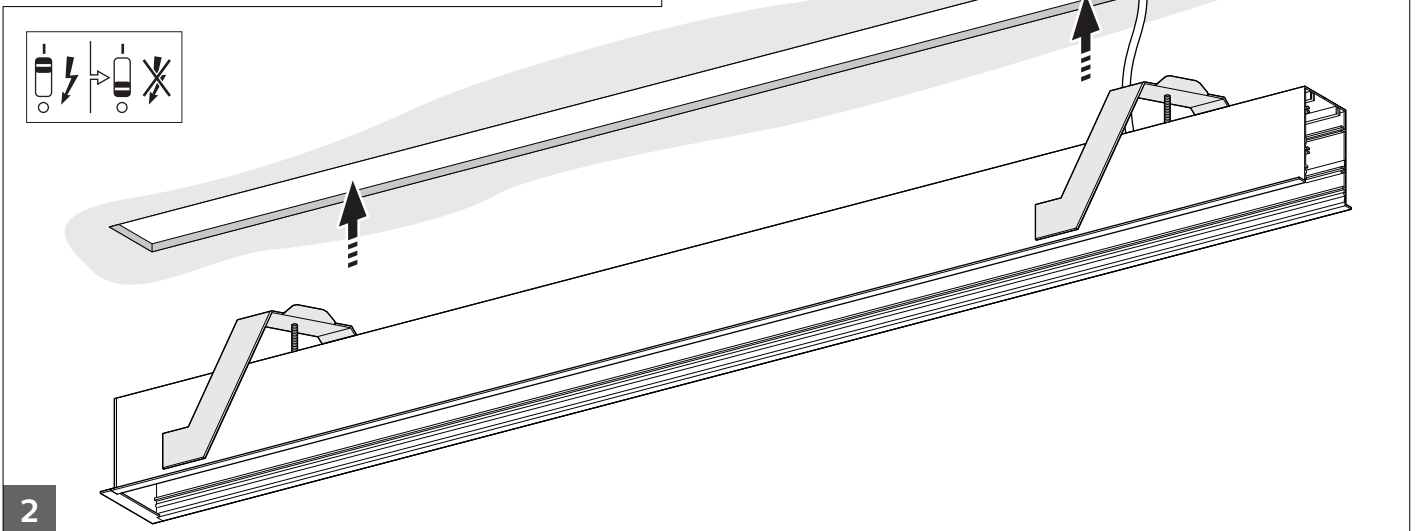
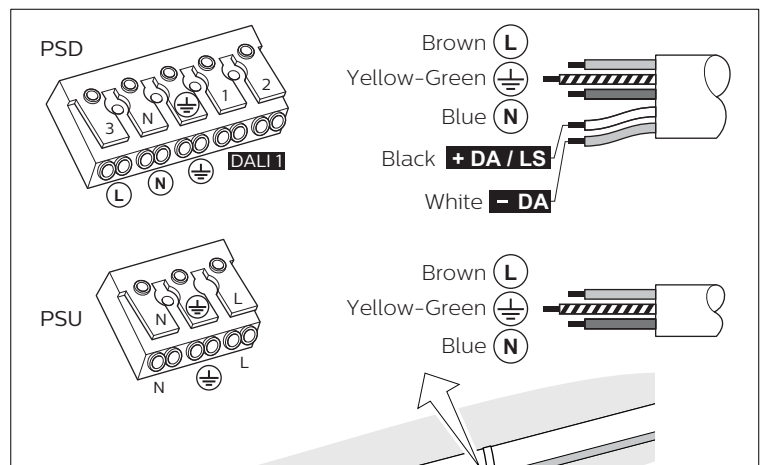
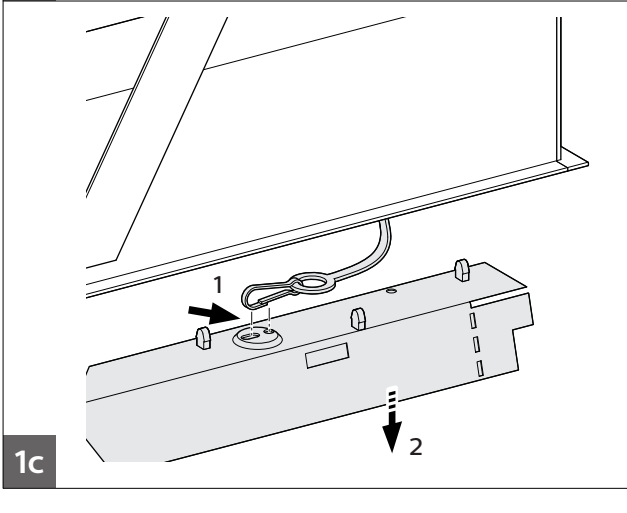
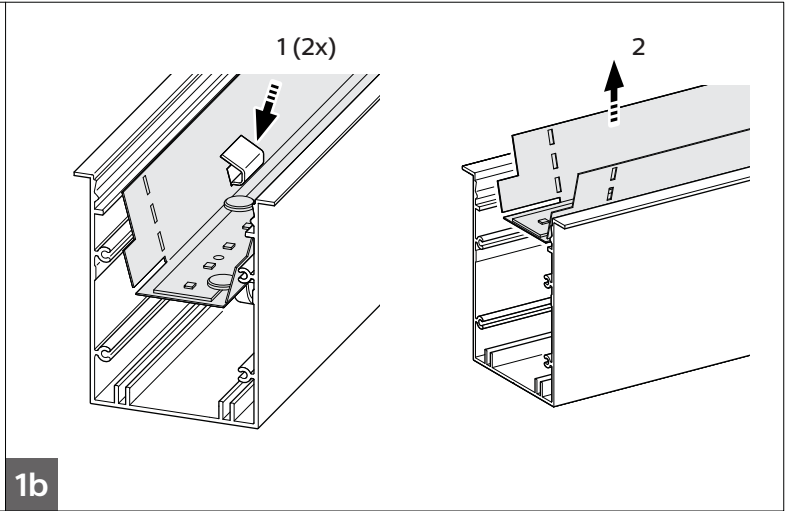
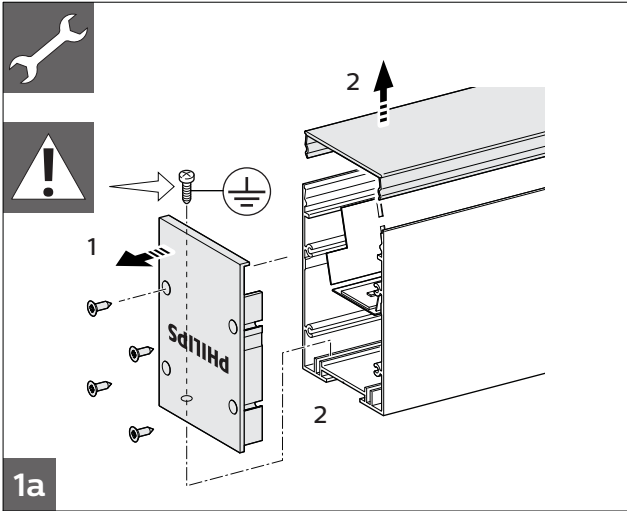
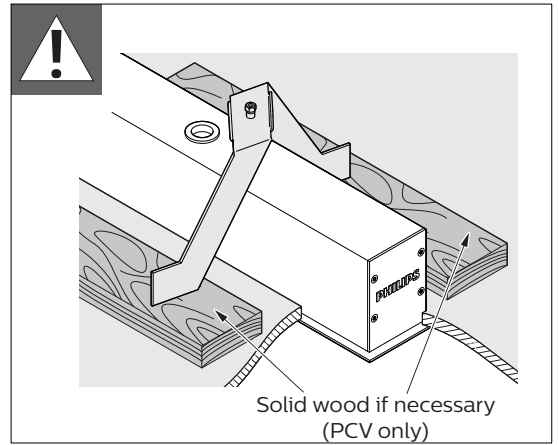
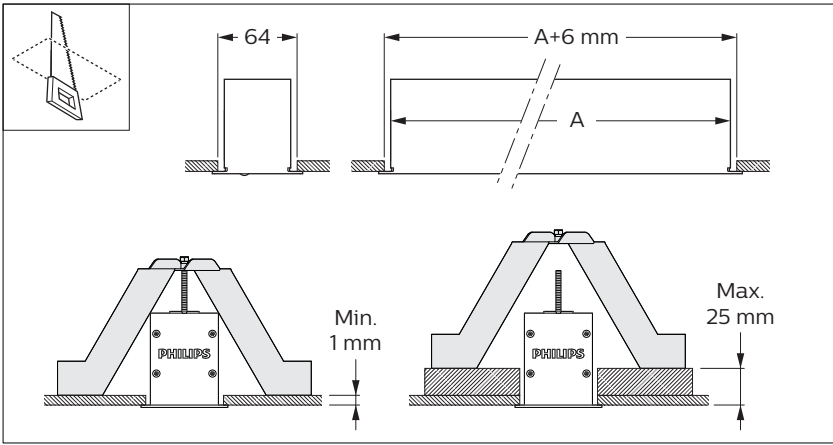
**ATTENTION**  
OBSERVE PRECAUTIONS  
FOR HANDLING  
**ELECTROSTATIC  
SENSITIVE  
DEVICES**

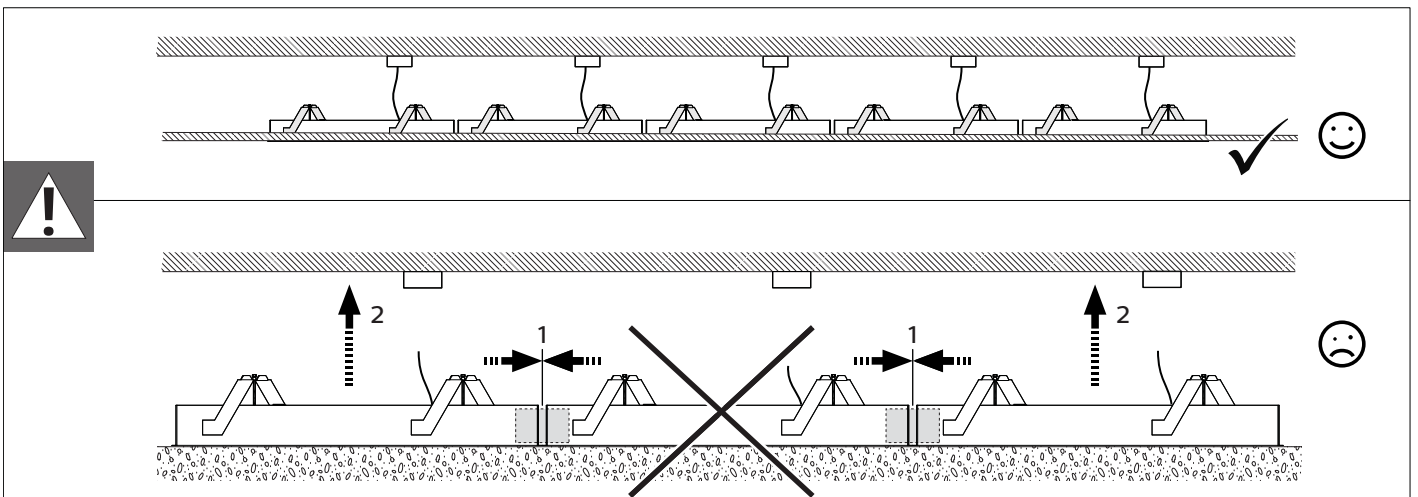
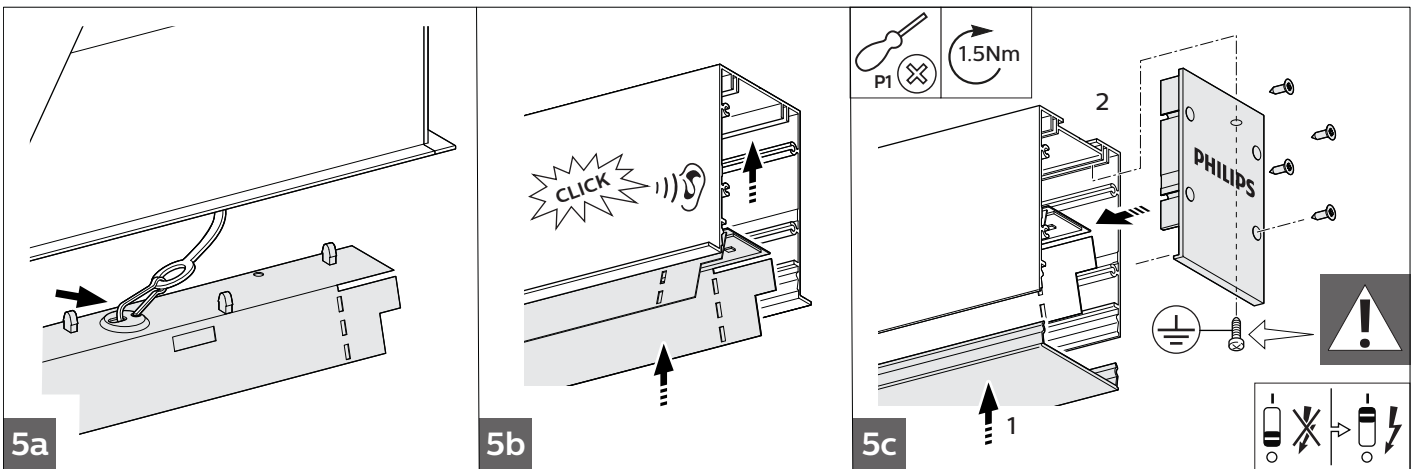
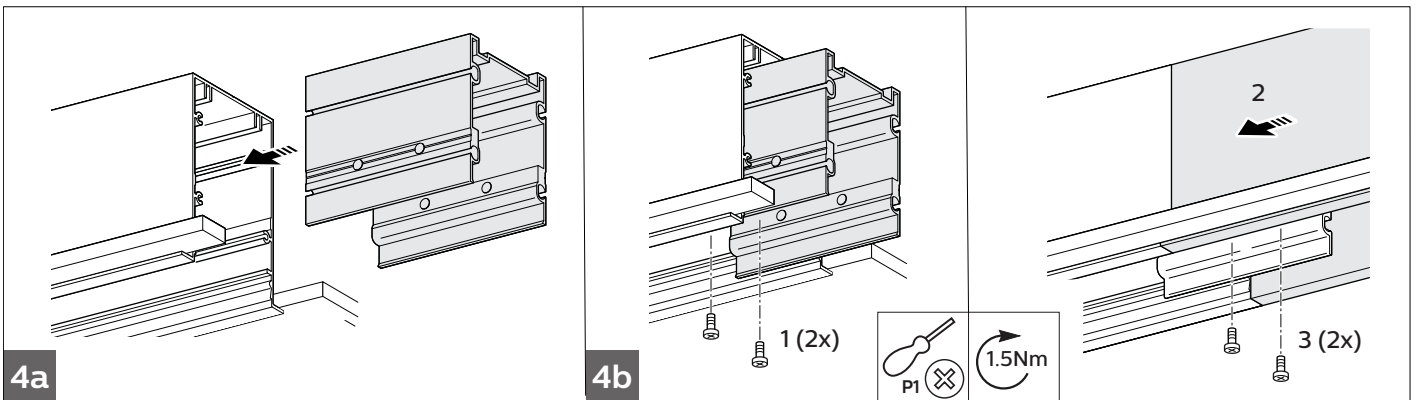
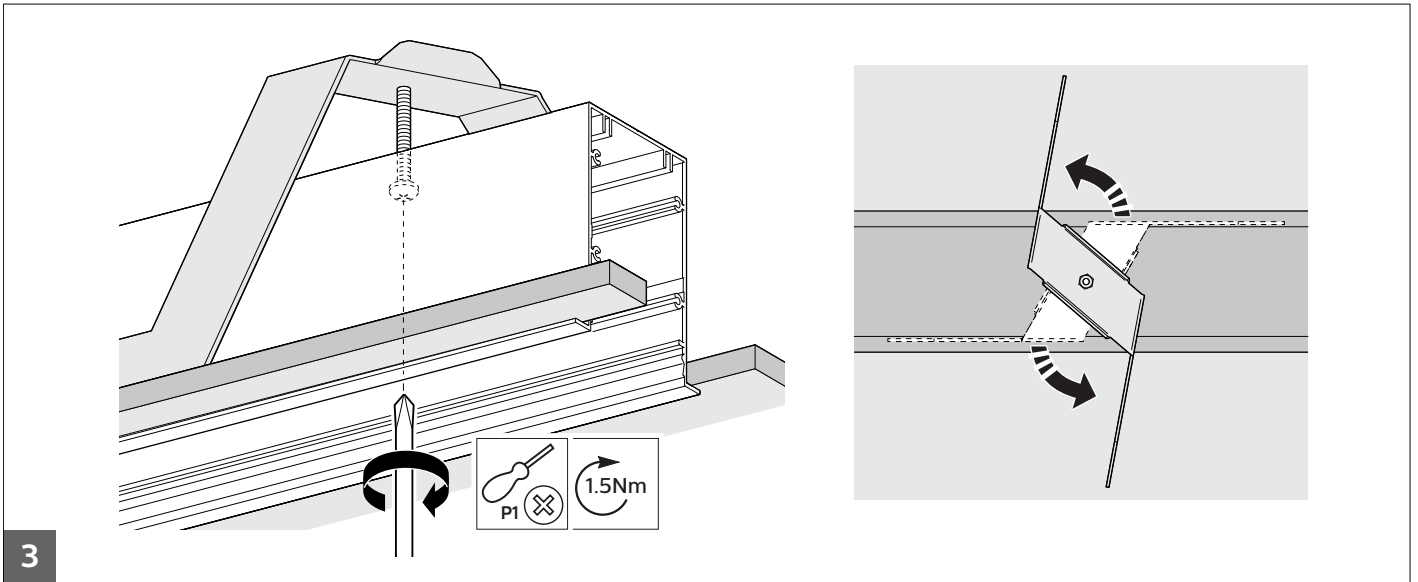


### Inrush current

| Electrical characteristics |     |
|----------------------------|-----|
| I <sub>max</sub> (A)       | 22  |
| T <sub>ref</sub> (μs)      | 275 |
| MCB                        | %   |
| B-10 A                     | 63  |
| B-13 A                     | 81  |
| B-16 A                     | 100 |
| C-10 A                     | 104 |
| C-13 A                     | 135 |
| C-16 A                     | 170 |









© 2017 Philips Lighting Holding B.V.

All rights reserved. Reproduction in whole or in part is prohibited without the prior written consent of the copyright owner. The information presented in this document does not form part of any quotation or contract, is believed to be accurate and reliable and may be changed without notice. No liability will be accepted by the publisher for any consequence of its use. Publication thereof does not convey nor imply any license under patent- or other industrial or intellectual property rights.

Philips Lighting Holding B.V.  
The Netherlands