

03358-AZG (MI 63 G/177/1,6)**Application:**

For all gaseous and low-viscosity liquid media that will not obstruct the pressure system or attack copper alloy parts.

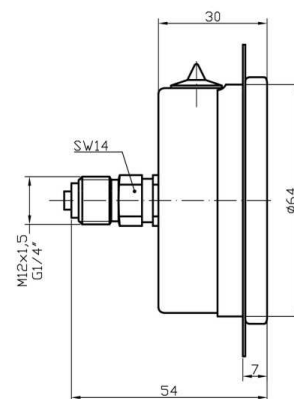
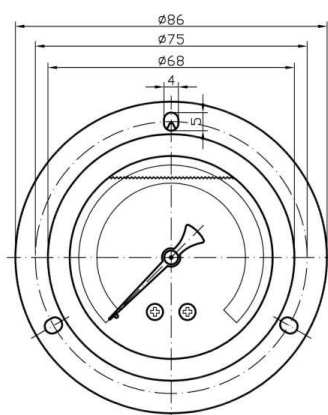
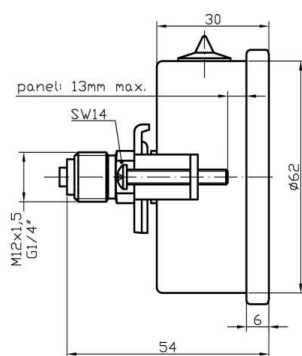
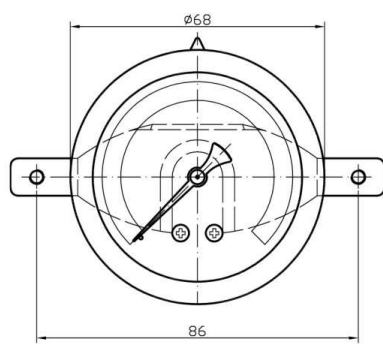
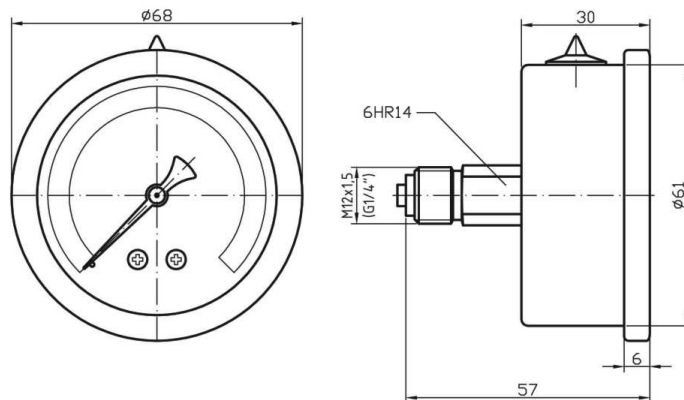
With liquid filled case for applications with high dynamic pressure pulsations or vibrations.

Suitable for industry, heating, water supply, air-conditioning, pneumatics.

Technical parameters:

Construction	EN 837-1
Nominál size	63 mm
Accuracy	1,6%
Scale range	0-1 bar to 0-1000 bar
Working pressure	vacuum, combined pressure and vacuum * static load : 85% of full scale value dynamic load : 75% of full scale value short time : 125% of full scale value
Operating temperature	ambient - 20.....+60°C medium max +60°C
Temperature effect	deviates from reference 20°C ± 0,4%/10K
Movement	brass
Dial	white aluminium dial, marking black
Pointer	black aluminium
Lens	polycarbonate
Case	stainless steel
Measuring element	bourdon tube
Socket	brass
Connection	back mount, axial
Connection thread	G1/4"
Protection	IP 65 according EN 60 529
Filling	glycerin

* marked execution on special request



Identification:

model	execution	pressure range	flange/U clamp	weight
03358-AZG (MI 63 G/177/1,6)	glycerine	0-1 bar ÷ 0-1000 bar		175 g
03358-AZG/S (MI 63 G/177/1,6/S)	glycerine	0-1 bar ÷ 0-1000 bar	U clamp	195 g
03358-AZG/PP (MI 63 G/187/1,6)	glycerine	0-1 bar ÷ 0-1000 bar	flange	185 g