

# EC centrifugal fans – RadiPac

backward curved, Ø Z50



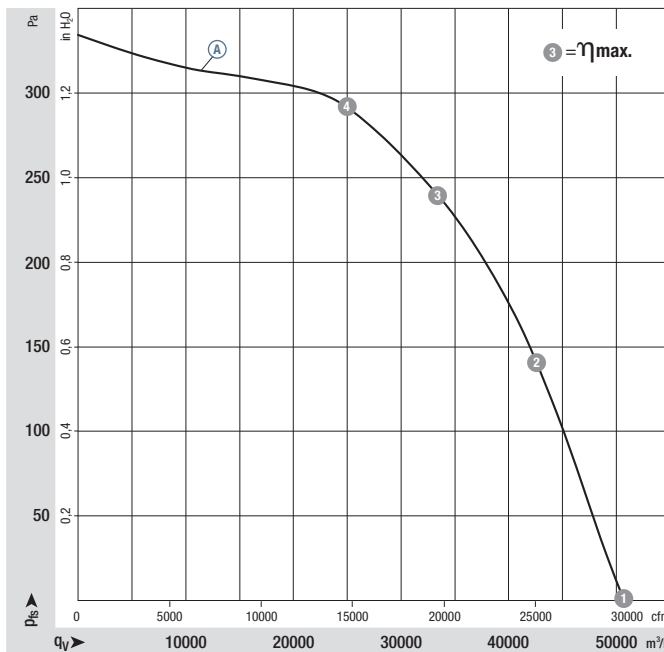
- **Material:** Cube design with inlet nozzle: Sheet steel, galvanised and plastic-coated in light grey (RAL 7035)  
Impeller: Sheet aluminium  
Rotor: Coated in black; Electronics enclosure: Die-cast aluminium
- **Number of blades:** 7
- **Direction of rotation:** Clockwise, seen on rotor
- **Type of protection:** IP 54 (acc. to EN 60529)
- **Insulation class:** "F"
- **Mounting position:** Shaft horizontal (for floor installation only) or rotor on bottom; rotor on top on request
- **Condensate discharges:** Rotor-side
- **Mode of operation:** Continuous operation (S1)
- **Bearings:** Maintenance-free ball bearings

Nominal data		Curve	Nominal voltage range	Frequency	Speed/rpm <sup>(1)</sup>	Max. input power <sup>(1)</sup>	Max. current draw <sup>(1)</sup>	Perm. amb. temp.	Mass	Technical features and elect. connection
Type	Motor	VAC	Hz	rpm	W	A	°C	kg		
K3G Z50-AQ11 -01	M3G 200-QA	Ⓐ	3~ 380-480	50/60	380	3560	5,40	-25..+40	350	p. 89 / M3)

subject to alterations

(1) Nominal data in operating point with maximum load and 400 VAC

## Curves



	n rpm	P <sub>ed</sub> W	I A	L <sub>wA</sub> dB(A)
Ⓐ 1	380	2250	3,40	81
Ⓐ 2	380	3180	4,60	74
Ⓐ 3	380	3560	5,40	73
Ⓐ 4	380	3340	4,90	73

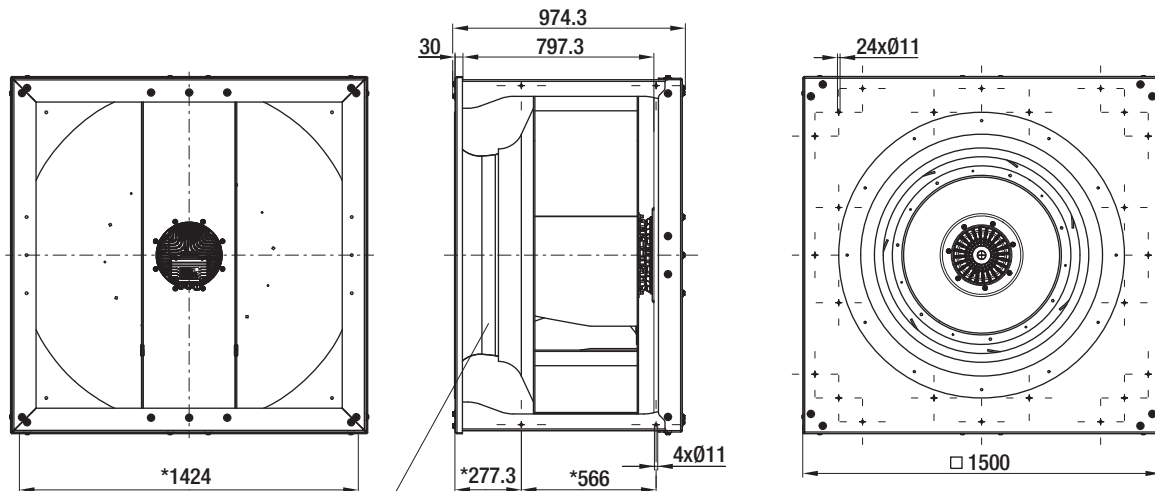
Air performance measured as per: ISO 5801, Installation category A, with ebm-papst inlet nozzle without protection against accidental contact. Suction-side noise levels: L<sub>wA</sub> as per ISO 13347, L<sub>pA</sub> measured at 1 m distance to fan axis. The acoustic values given are only valid under the measurement conditions listed and may vary depending on the installation situation. With any deviation to the standard setup, the specific values have to be checked and reviewed once installed or fitted! For detailed information see page 94 ff.

# EC centrifugal fans – RadiPac

backward curved, Ø Z50



K3G Z50-AQ11-01 (Centrifugal module with cube design)



Inlet nozzle with pressure tap (k-value: 1730)

\* Screw-on position for rubber mounting respectively spring elements; with horizontal shaft position, only direct installation on the floor possible and permitted.

