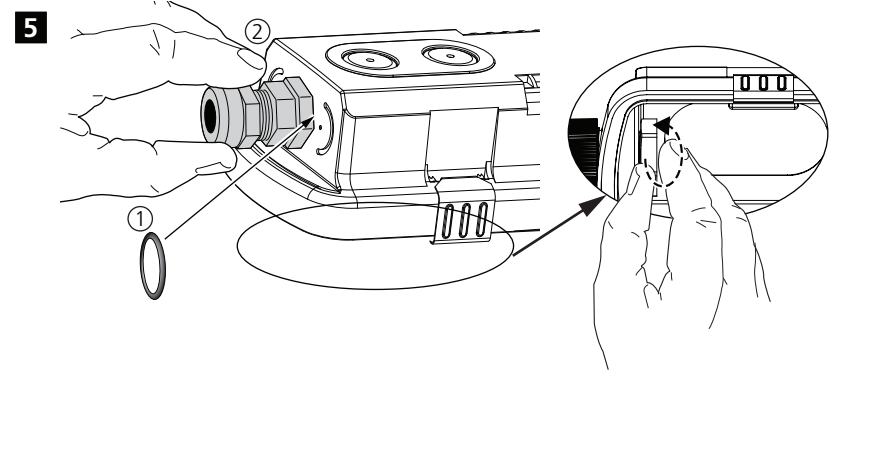
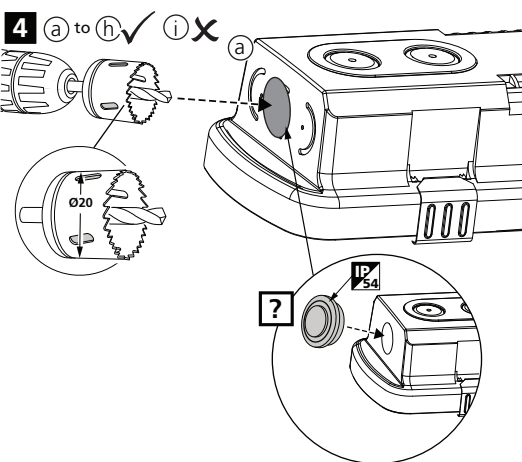
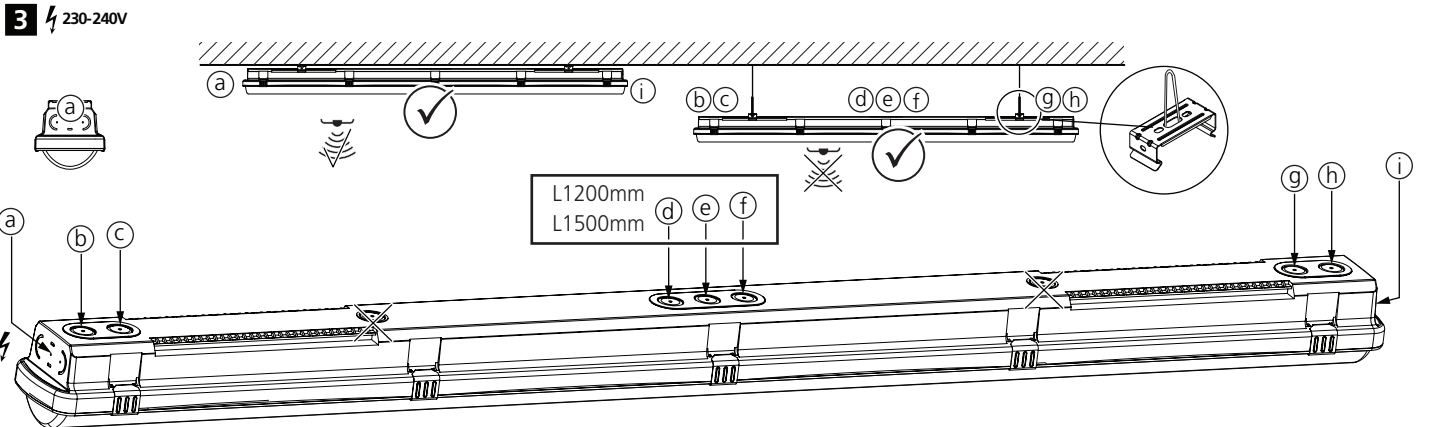
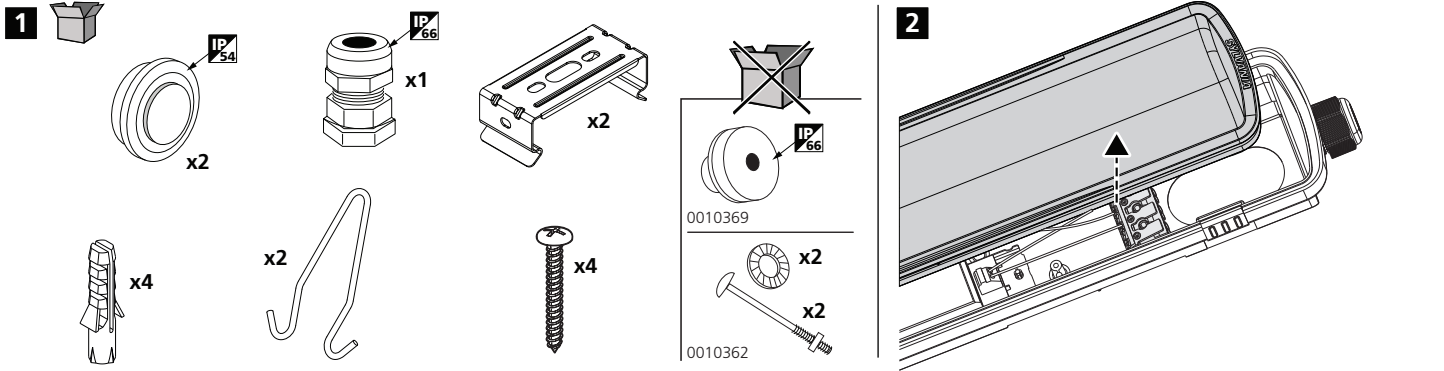
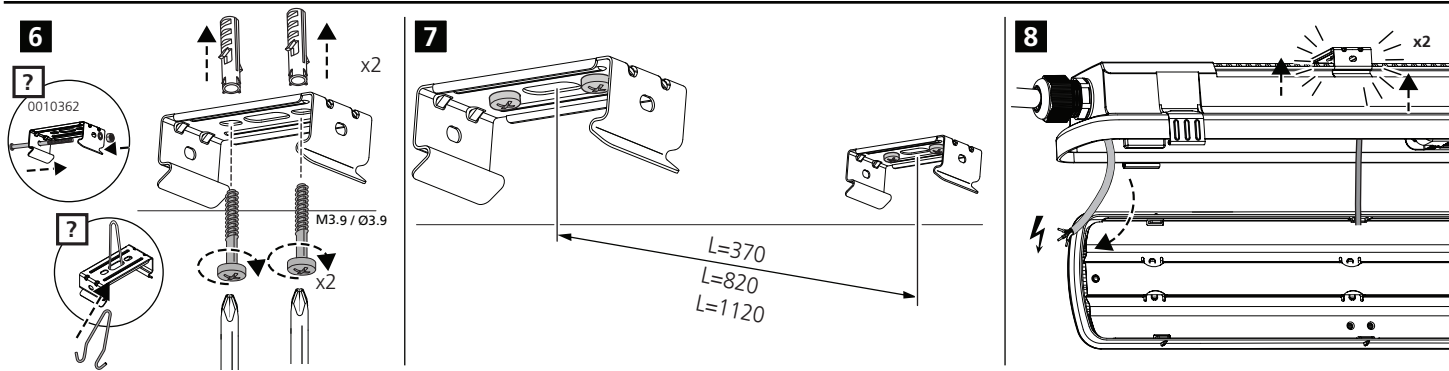
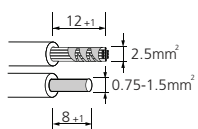
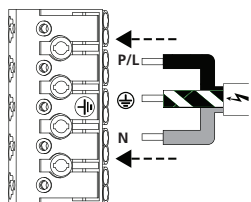


The luminaire is suitable for use in environments where an accumulation of conductive dust on the luminaire may be expected



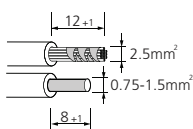
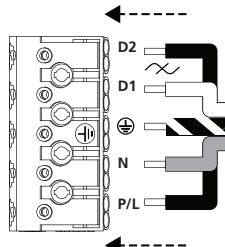


9 230-240V



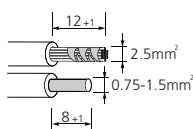
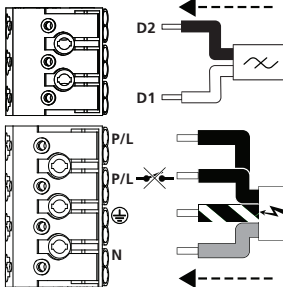
9 230-240V + DALI

Control wires are basic insulated to mains wires

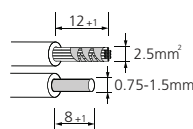
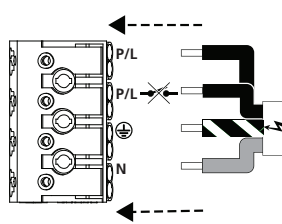


9 230-240V + DALI

Control wires are basic insulated to mains wires

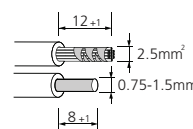
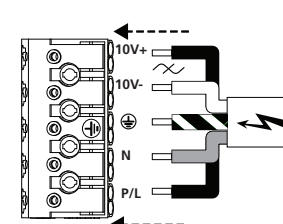


9 230-240V

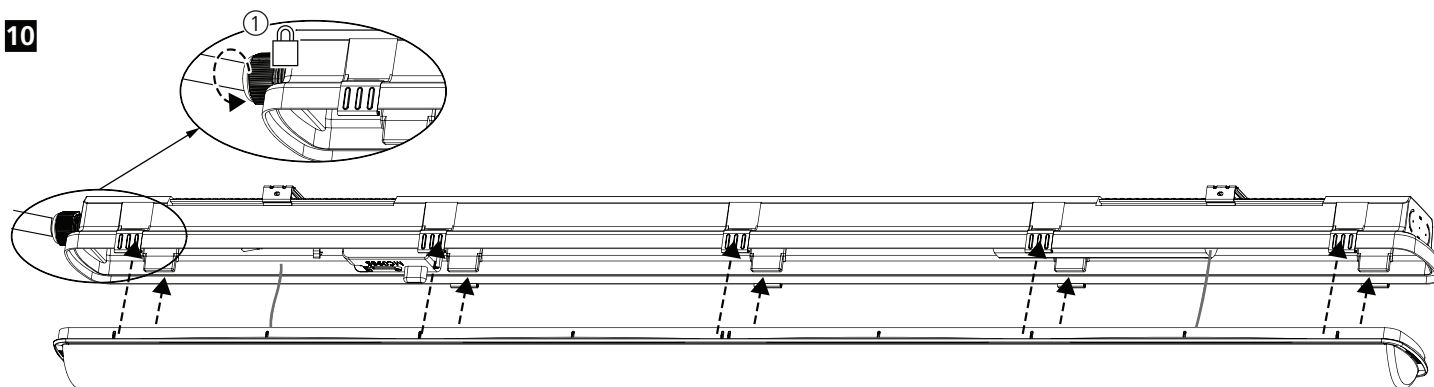


9 230-240V + 1-10V

Control wires are basic insulated to mains wires



10



x6 - 600mm LED
x10 - 1200mm LED
x12 - 1500mm LED

