

**CAUTION** : Read instructions thoroughly and completely prior to beginning installation.

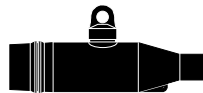
# Installation Instructions for Separable Straight Connectors - Type A interface on COPPER WIRE SCREENED CABLES

## x (K)152SR

For sizes FB - FG - GA - GAB - GH

**Required components for the connector installation :**

1 x Receptacle housing



- Silicone grease + wipers

1 x Conductor contact



- Installation instructions + crimp chart

1 x Bail restraint



**Further required components depending on the application (optional supply) :**

1 x 11TL adaptor (optional use for extruded easy strip semi-conductive screened cable)

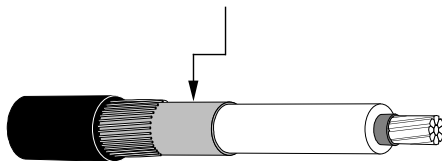


- Water sealing mastic, type MWS, for outdoor applications only

### SELECT CABLE TYPE BELOW

**A**

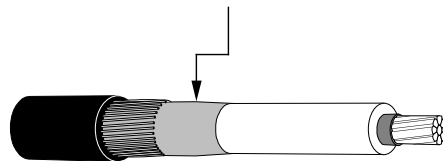
**Extruded easy strip  
semi-conductive screen**



**Go to page 2**

**B**

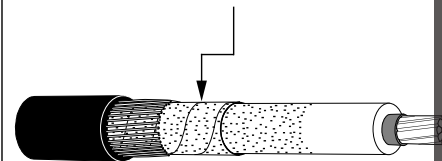
**Bonded extruded  
semi-conductive screen**



**Go to page 4**

**C**

**Fabric tape screen  
(graphite)**



**Go to page 6**

90048E-R/5

This product should be installed only by competent personnel trained in good safety practices involving high voltage electrical equipment. These instructions are not intended as a substitute for adequate training or experience in such safety practices. These instructions do not attempt to provide for every possible contingency.

Failure to follow these instructions could result in damage to the product and serious or fatal injury.

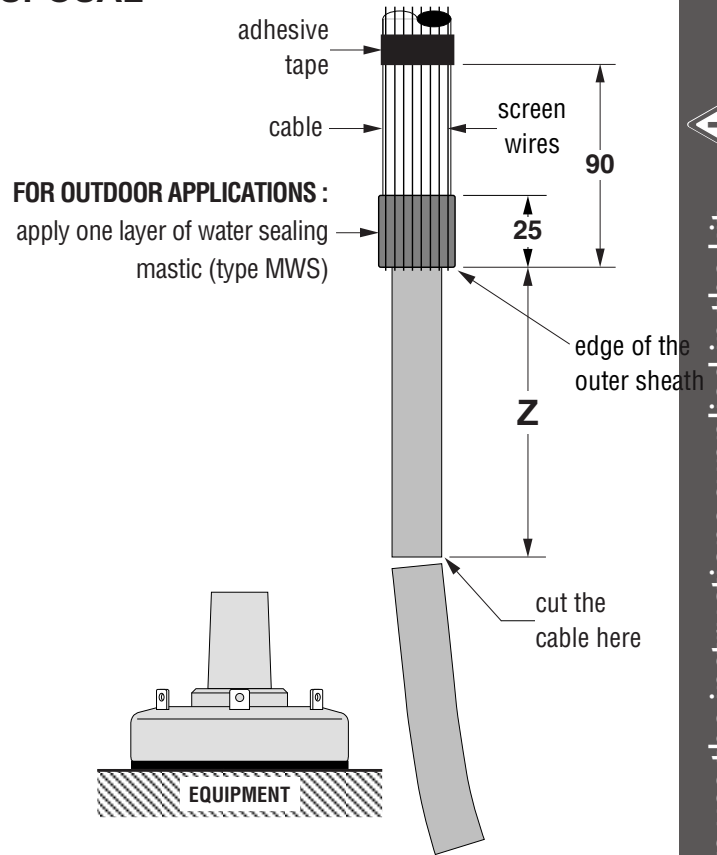
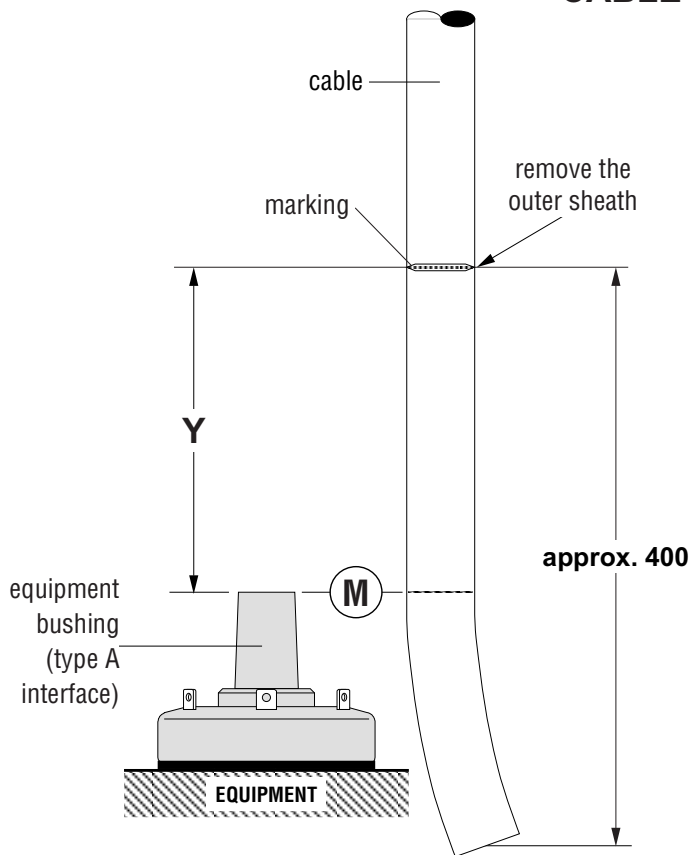
**IMPORTANT** : Cable and associated apparatus must be de-energised, locked out, and tagged prior to product installation.

**FOR INFORMATION ONLY** Please always use the instructions supplied in the kit



# A Extruded easy strip semi-conductive screen

## CABLE DISPOSAL



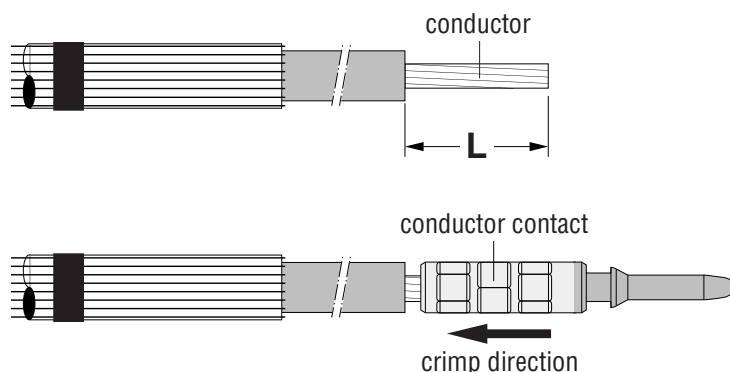
Adaptor used	Y (mm)	Z (mm)
<b>none (for indoor applications only)</b>	<b>190</b>	<b>170</b>
<b>11TL</b>	<b>220</b>	<b>200</b>

1. Train the cable into the approximate finished position next to the equipment bushing.
2. Mark the cable at a distance «Y» mm from point «M» (bushing top). Remove the outer sheath up to the marking.

**DO NOT CUT OR NICK THE WIRE SCREEN.**

3. Bend back screen wires along the outer sheath.  
For outdoor applications : compress the screen wires into the water sealing mastic.
4. Secure the screen wires with adhesive tape at approx. **90** mm from the edge of the outer sheath.
5. Cut the cable to a point «Z» mm from the outer sheath.

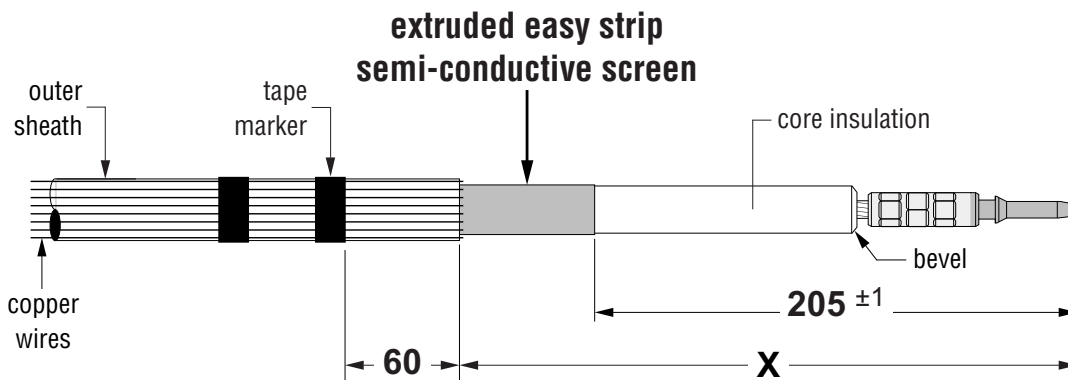
## CRIMPING OF THE CONTACT



1. Bare the conductor for a distance «L» mm, from the cable end.  
For copper conductors : **L = 40 mm.**  
For aluminium conductors : **L = 50 mm.**
2. For aluminium conductors : before installing the crimp contact wire brush the conductor.
3. Install the crimp contact.
4. Crimp the contact on the conductor.  
**REMOVE ANY BURRS AFTER CRIMPING AND WIPE-OFF EXCESS INHIBITOR.**

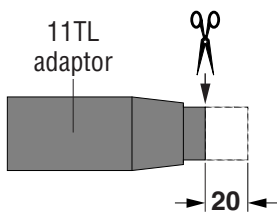
**FOR INFORMATION ONLY** Please always use the instructions supplied in the kit

## CABLE PREPARATION AND INSTALLATION OF THE 11TL ADAPTOR (if required)

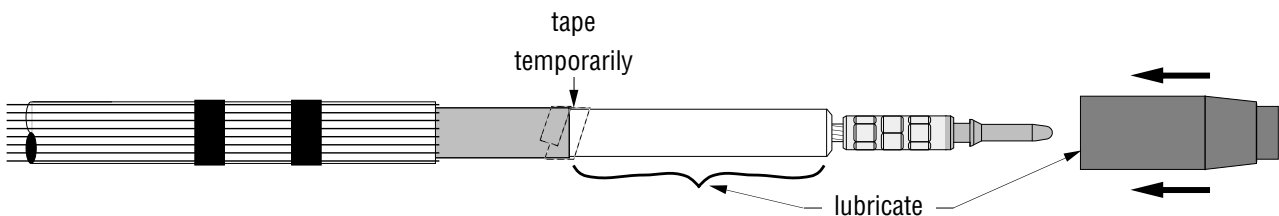


Adaptor used	X (mm)
none	230
11TL	255

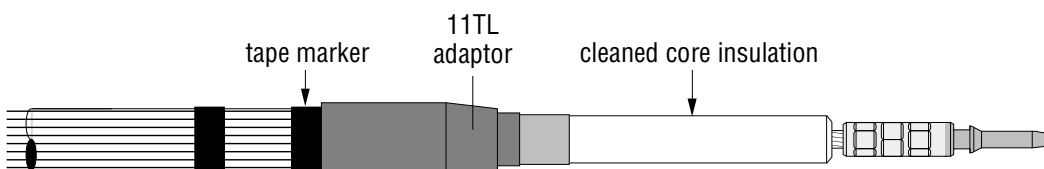
1. Check distance of «X» mm from the end of the crimped contact.
2. If an 11TL adaptor is used, apply a tape marker on the outer sheath 60 mm from the end.
3. Remove the extruded semi-conductive screen to a point 205 ±1 mm from the end of the crimped contact.
4. Slightly bevel the edge of the core insulation (2 mm max.). **DO NOT PENCIL.**
5. **If no 11TL adaptor is used, proceed on page 8 : "Connector installation".**



6. Cut the collar of the 11TL adaptor for a distance of 20 mm.



7. As an aid to install the adaptor, it is recommended to wrap one or two layers adhesive tape on the step of the extruded semi-conductive screen.
8. Lubricate\* core insulation and inside of the adaptor.



9. Slide the adaptor over the insulation until flush with the tape marker.
10. Remove the adhesive tape applied in step 7.

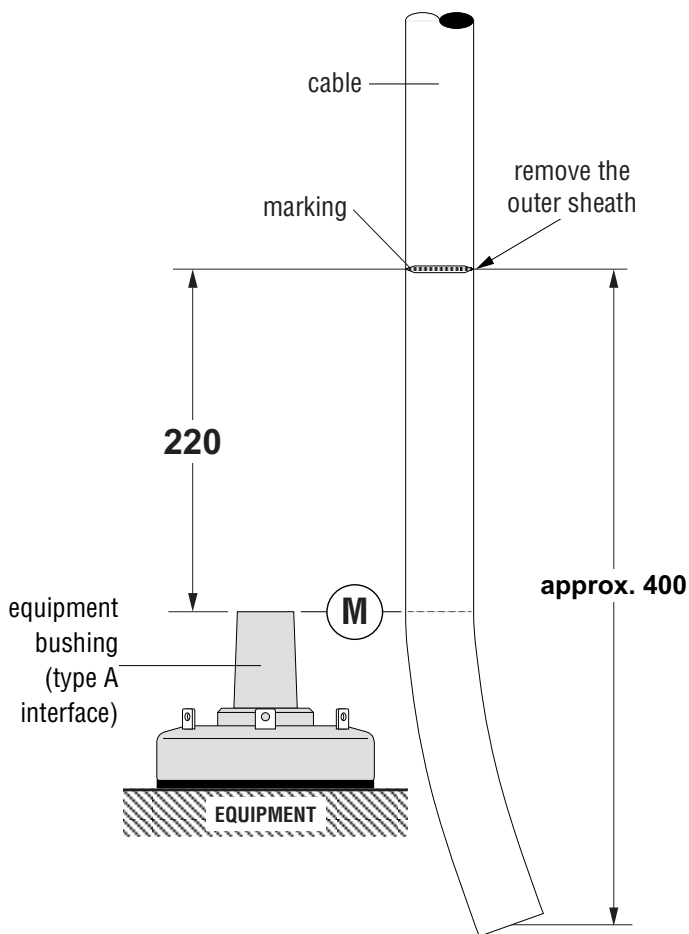
**USING THE WHITE WIPER, THOROUGHLY CLEAN THE CORE INSULATION.**

Always wipe towards the screen wires.

**PROCEED ON PAGE 8 FOR THE CONNECTOR INSTALLATION**

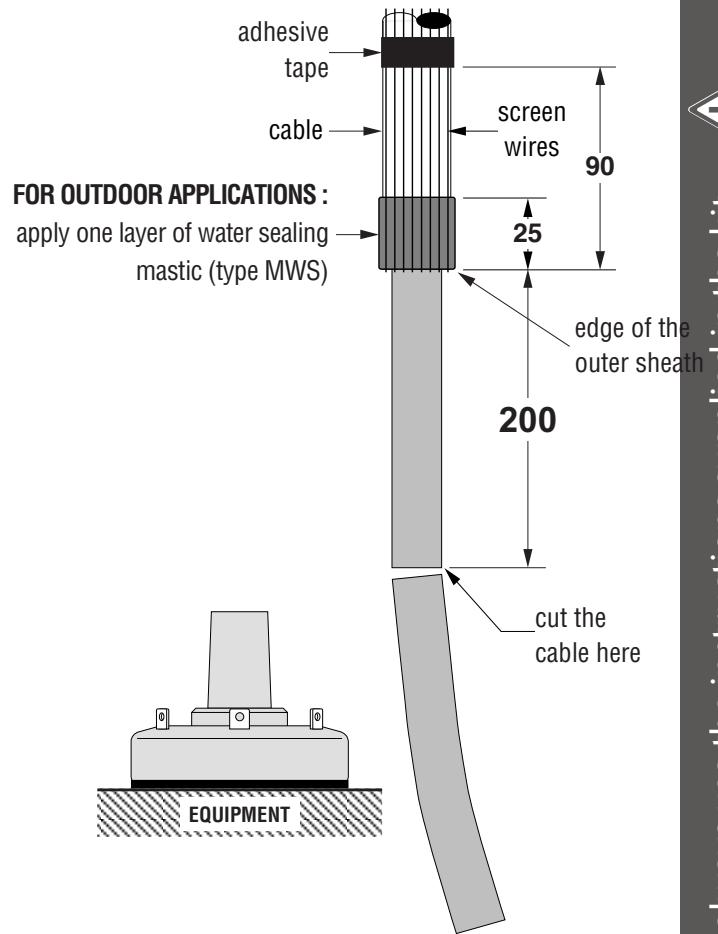
**\* USE ONLY THE SILICONE LUBRICANT SUPPLIED**

FOR INFORMATION ONLY Please always use the instructions supplied in the kit

**B****Bonded extruded semi-conductive screen****CABLE DISPOSAL**

1. Train the cable into the approximate finished position next to the equipment bushing.
2. Mark the cable at a distance **220** mm from point «**M**» (bushing top). Remove the outer sheath up to the marking.

**DO NOT CUT OR NICK THE WIRE SCREEN.**

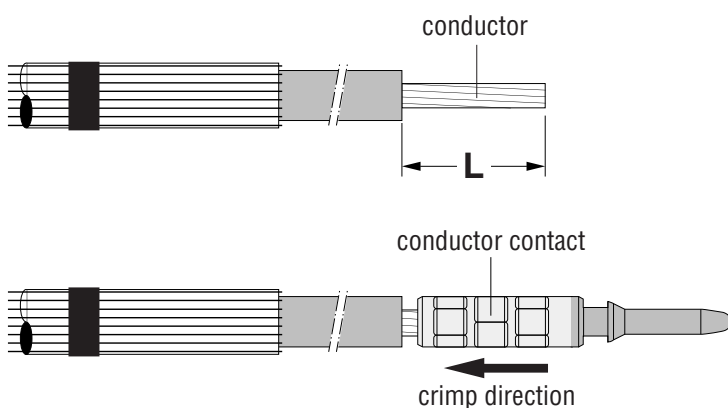


**FOR OUTDOOR APPLICATIONS :**  
apply one layer of water sealing mastic (type MWS)

**FOR OUTDOOR APPLICATIONS :**

Apply one layer of water sealing mastic (type MWS) on the outer sheath, flush with the end (**25** mm minimum width).

3. Bend back screen wires along the outer sheath.  
For outdoor applications : compress the screen wires into the water sealing mastic.
4. Secure the screen wires with adhesive tape at approx. **90** mm from the edge of the outer sheath.
5. Cut the cable to a point **200** mm from the outer sheath.

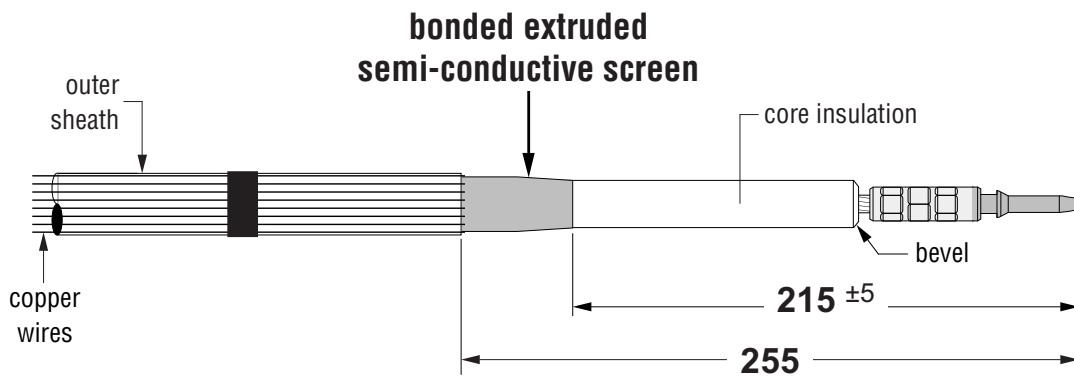
**CRIMPING OF THE CONTACT**

1. Bare the conductor for a distance «**L**» mm, from the cable end.  
For copper conductors : **L = 40 mm.**  
For aluminium conductors : **L = 50 mm.**

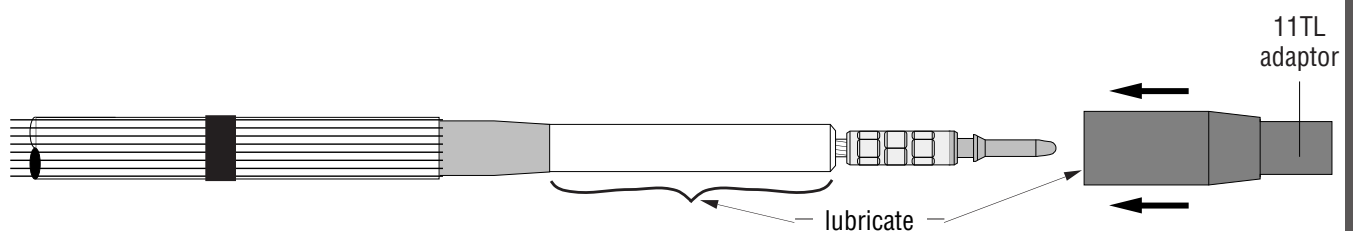
2. For aluminium conductors : before installing the crimp contact wire brush the conductor.
3. Install the crimp contact.
4. Crimp the contact on the conductor.  
**REMOVE ANY BURRS AFTER CRIMPING AND WIPE-OFF EXCESS INHIBITOR.**

**FOR INFORMATION ONLY** Please always use the instructions supplied in the kit

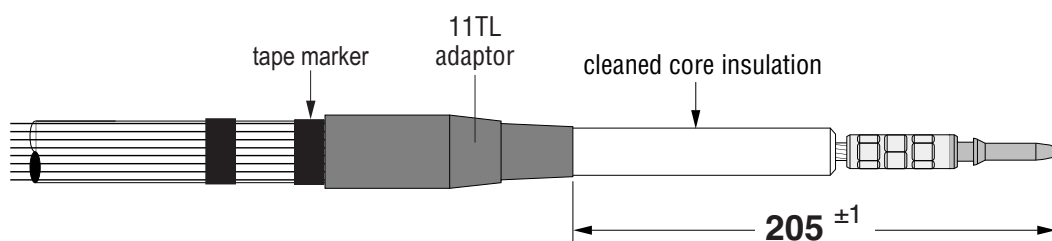
## CABLE PREPARATION AND INSTALLATION OF THE 11TL ADAPTOR



1. Check distance of **255** mm from the end of the crimped contact.
2. Using a pencilling tool, remove the extruded semi-conductive screen to a point **215 ±5** mm from the end of the crimped contact.
3. Slightly bevel the edge of the core insulation (2 mm max.). **DO NOT PENCIL.**



4. Lubricate\* core insulation and inside of the adaptor.



5. Slide the adaptor up to a point **205 ±1** mm from the end of the crimped contact.
6. Apply a tape marker on the outer sheath flush with the adaptor end.
7. **USING AN APPROPRIATE SOLVENT, THOROUGHLY CLEAN THE CORE INSULATION.**  
Always wipe towards the screen wires.

**PROCEED ON PAGE 8 FOR THE CONNECTOR INSTALLATION**

**\* USE ONLY THE SILICONE LUBRICANT SUPPLIED**

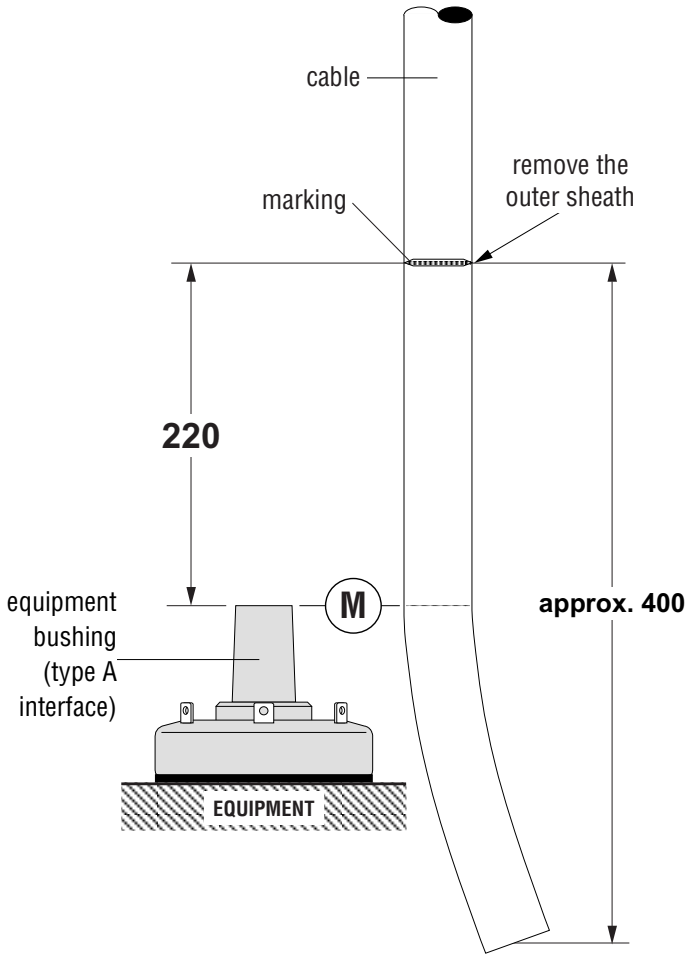


**FOR INFORMATION ONLY** Please always use the instructions supplied in the kit

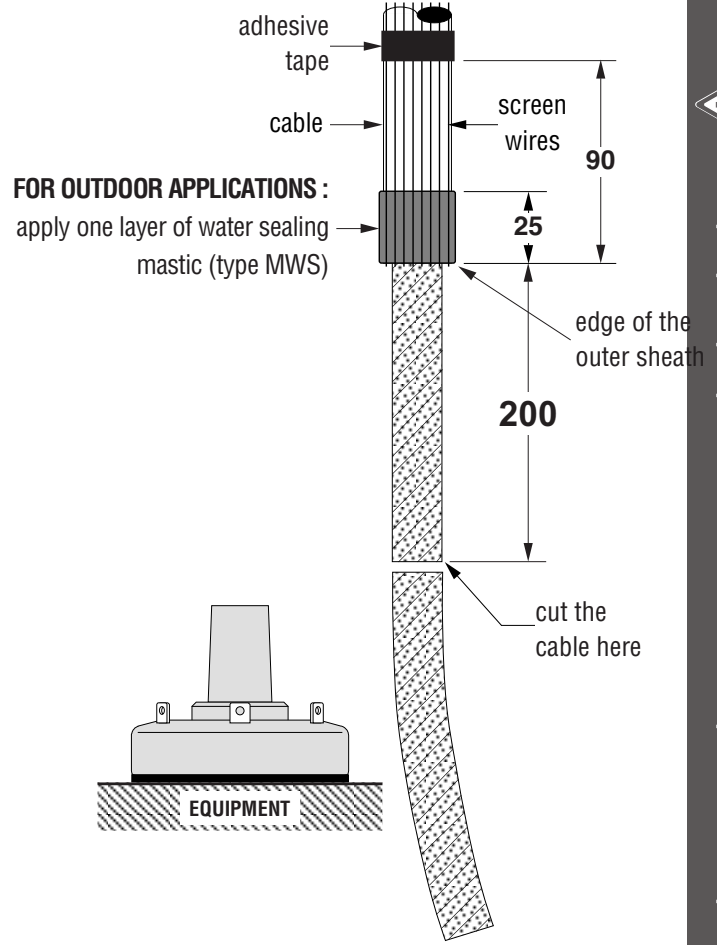


# C Fabric tape screen (graphite)

## CABLE DISPOSAL



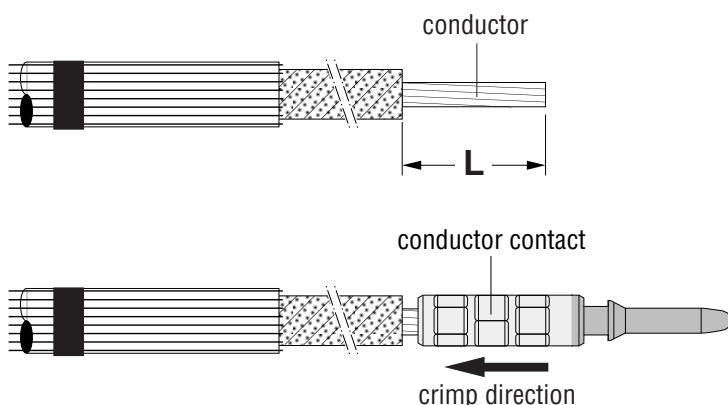
1. Train the cable into the approximate finished position next to the equipment bushing.
2. Mark the cable at a distance **220** mm from point «**M**» (bushing top). Remove the outer sheath up to the marking.  
**DO NOT CUT OR NICK THE WIRE SCREEN.**



**FOR OUTDOOR APPLICATIONS :**  
apply one layer of water sealing mastic (type MWS)

3. Bend back screen wires along the outer sheath.  
For outdoor applications : compress the screen wires into the water sealing mastic.
4. Secure the screen wires with adhesive tape at approx. **90** mm from the edge of the outer sheath.
5. Cut the cable to a point **200** mm from the outer sheath.

## CRIMPING OF THE CONTACT



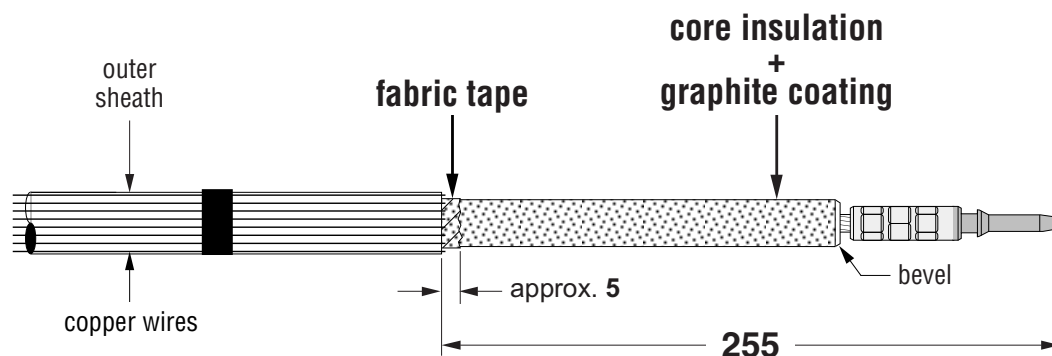
1. Bare the conductor for a distance «**L**» mm, from the cable end.  
For copper conductors : **L = 40 mm.**  
For aluminium conductors : **L = 50 mm.**
2. For aluminium conductors : before installing the crimp contact wire brush the conductor.
3. Install the crimp contact.
4. Crimp the contact on the conductor.  
**REMOVE ANY BURRS AFTER CRIMPING AND WIPE-OFF EXCESS INHIBITOR.**



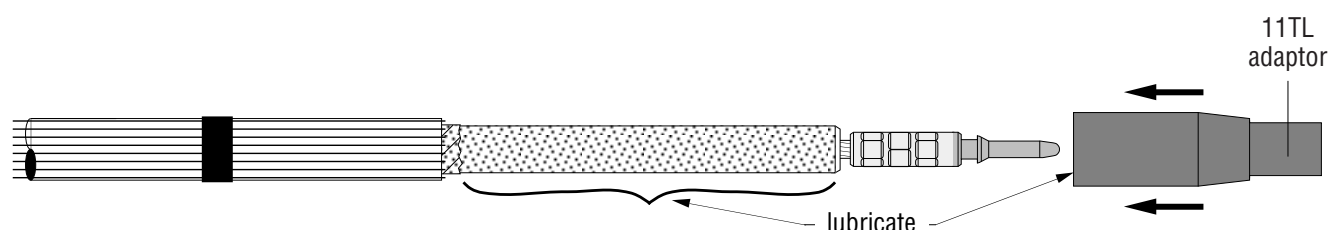
**FOR INFORMATION ONLY** Please always use the instructions supplied in the kit



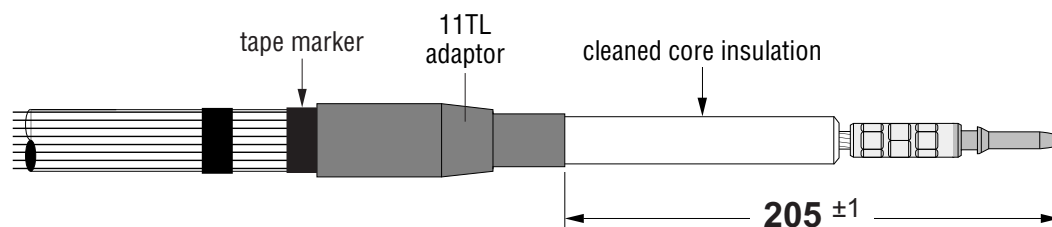
## CABLE PREPARATION AND INSTALLATION OF THE 11TL ADAPTOR



1. Check distance of **255** mm from the end of the crimped contact.
2. Remove the fabric tape to a point approx. **5** mm from the outer sheath.  
**DO NOT REMOVE THE GRAPHITE VARNISH AT THIS STAGE.**
3. Slightly bevel the edge of the core insulation (2 mm max.). **DO NOT PENCIL.**



4. Lubricate\* core insulation and inside of the adaptor.



5. Slide the adaptor up to a point **205 ±1** mm from the end of the crimped contact.
6. Apply a tape marker on the outer sheath flush with the adaptor end.
7. **THOROUGHLY REMOVE THE GRAPHITE COATING USING AN APPROPRIATE SOLVENT.**  
Always wipe towards the screen wires.

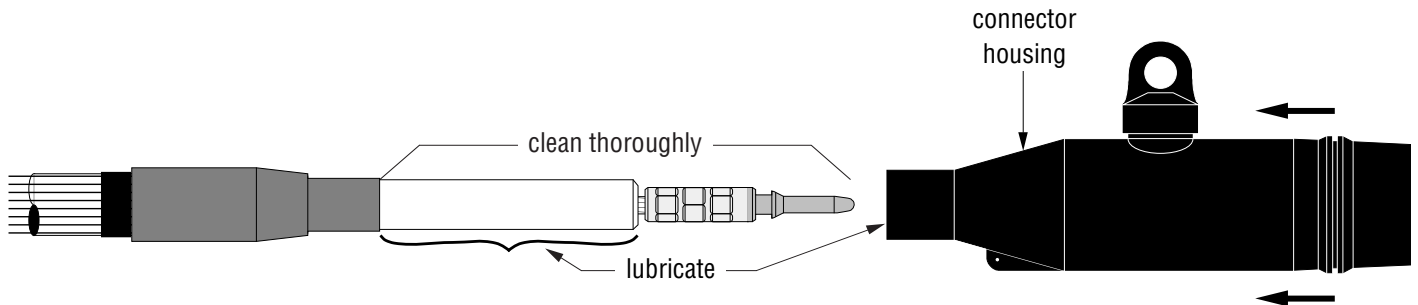
**A**

**B**

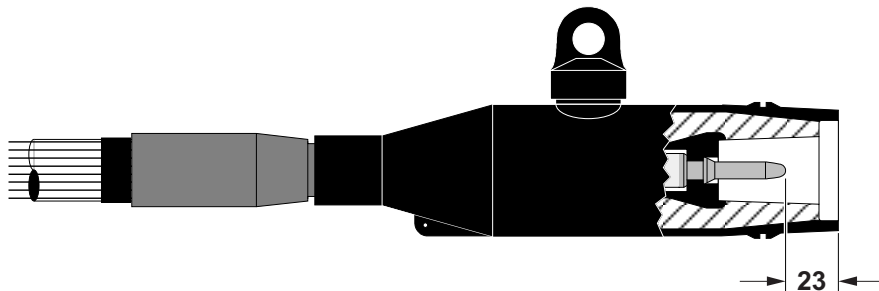
**C**

**Applies to all cable types**

## CONNECTOR INSTALLATION AND CABLE SCREEN EARTHING

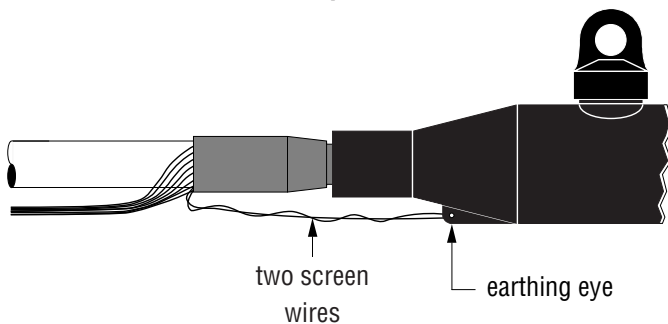


1. REMOVE ANY TRACES OF CONDUCTIVE RESIDUE FROM THE CORE INSULATION ABOVE THE ADAPTOR END OR EXTRUDED SEMI-CONDUCTIVE SCREEN. Always wipe towards the screen wires.
2. Lubricate\* the core insulation and inside surface of the connector.
3. Gently slide the housing on the cable with a back and forth twisting motion.

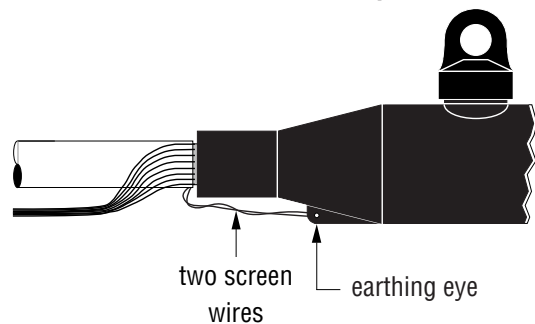


4. Slide the housing until the base of the pin chamfer comes flush with the inside face of the connector as shown. Check the distance of 23 mm between the end of the connector and pin. Check that the adaptor is still flush with the tape marker.
5. Remove tape marker.

### Installation with 11TL adaptor



### Installation without 11TL adaptor



6. Connect two copper screen wires to the earthing eye of the straight connector.

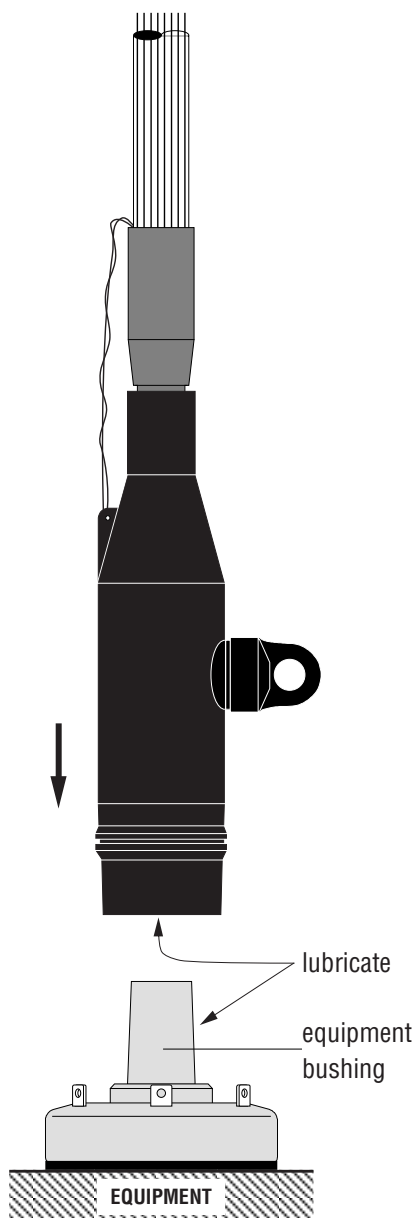
**\* USE ONLY THE SILICONE LUBRICANT SUPPLIED**



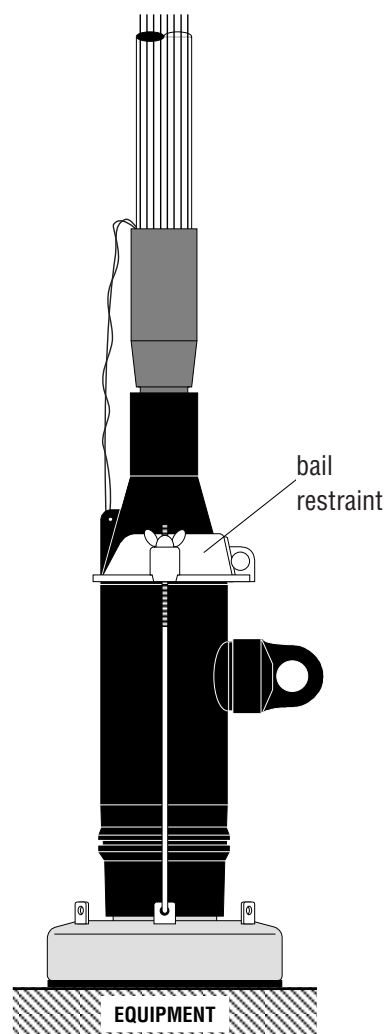
**FOR INFORMATION ONLY** Please always use the instructions supplied in the kit



## CONNECTOR INSTALLATION ON BUSHING



1. Clean and lubricate\* lightly both bushing interface and connector interface.
2. Push the connector on the bushing.



3. Insert bail restraint into the bushing tabs.
4. Position bail restraint and tighten wing nuts.

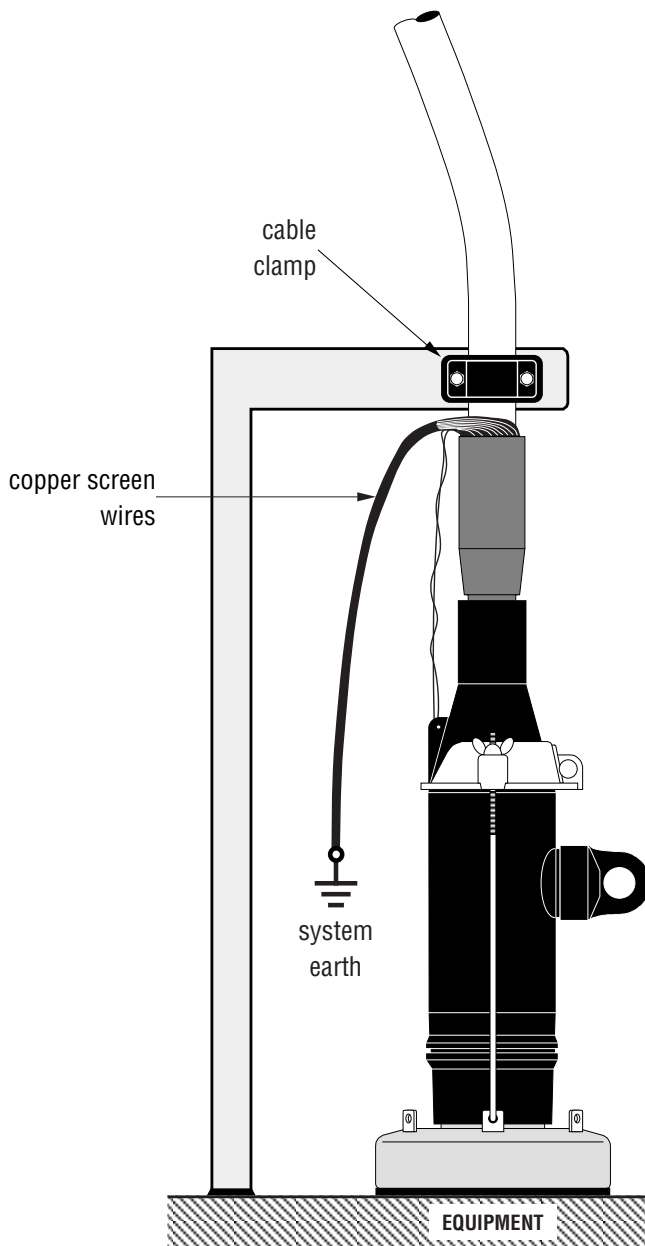
\* USE ONLY THE SILICONE LUBRICANT SUPPLIED



FOR INFORMATION ONLY Please always use the instructions supplied in the kit



## CONNECTOR EARTHING AND CABLE CLAMPING



1. Bend back the screen wires along the outer sheath to form a pig tail.
2. Connect the screen wires to system earth.

### NOTE :

***A connector/bushing mated combination should not be allowed to carry the full weight of the cable.***

***Therefore it is necessary to clamp the cable as close as possible to the connector***

### IMPORTANT NOTES :

- Never disconnect the straight receptacle from energised equipment nor energise a disconnected straight receptacle without previously installing on its corresponding Stand-off plug (K)151SOP or Dead-end plug (K)150DP.
  - Do not allow hydrocarbon oils or solvents to contaminate the E.P.D.M. rubber.
- In the event of contamination, wipe the surface clean with a dry cloth.**

**Euromold**  
a Nexans company

**Nexans Network Solutions NV - div. EUROMOLD**

Zuid III - Industrielaan 12  
B-9320 EREMBODEGEM-AALST – BELGIUM  
Tel: +32 (0)53/85 02 11 – Telefax: +32 (0)53/83 10 13



**FOR INFORMATION ONLY** Please always use the instructions supplied in the kit

