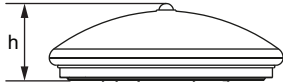
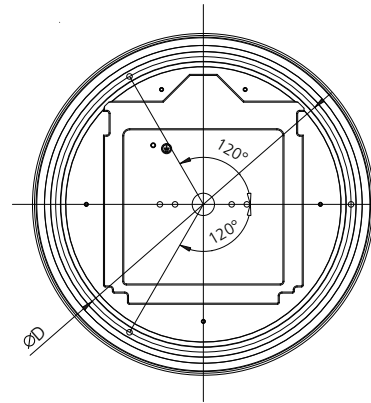


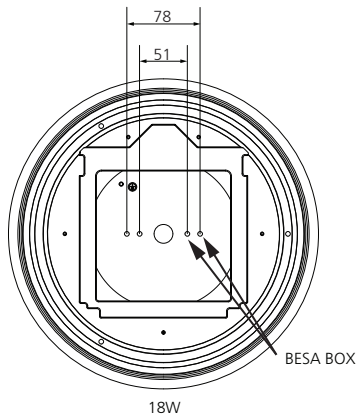
d = 330mm 18W
d = 360mm 24W



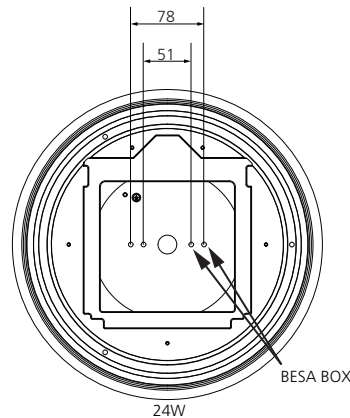
h = 108mm 18W
h = 112mm 24W



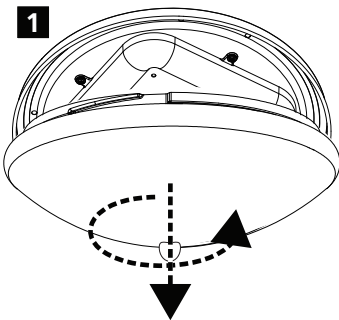
D = 265 mm 18W
D = 265 mm 24W



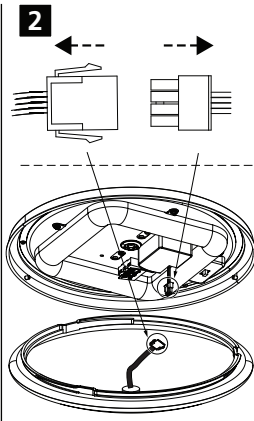
18W



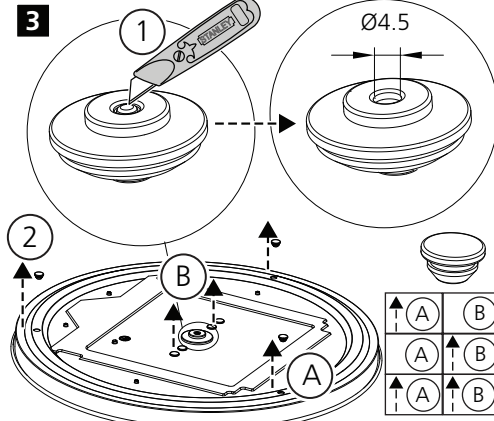
24W



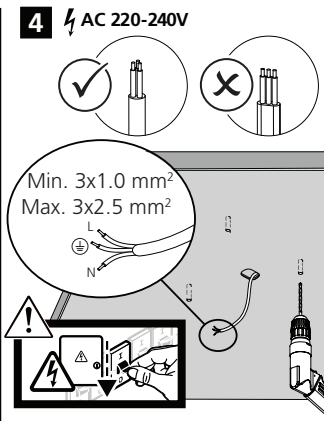
1



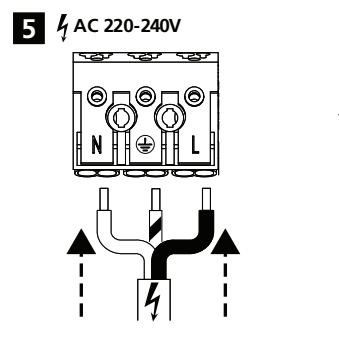
2



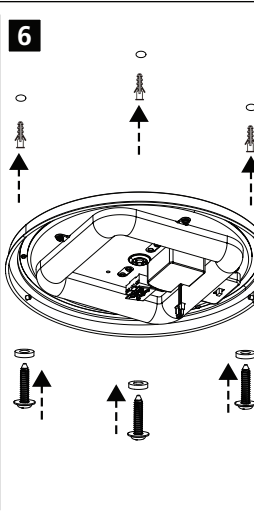
3



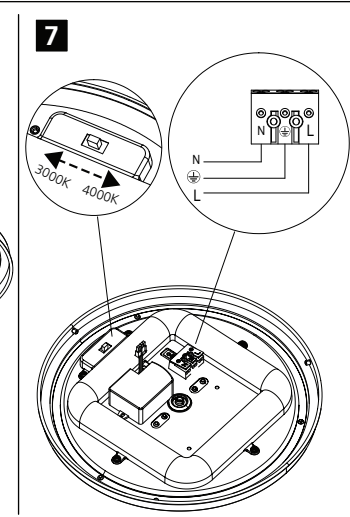
4 ⚡ AC 220-240V



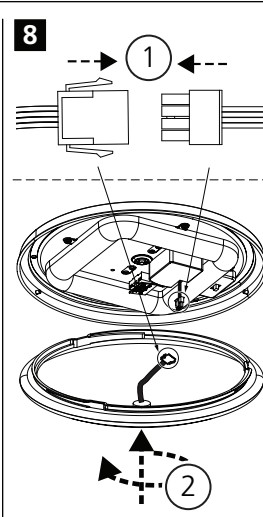
5 ⚡ AC 220-240V



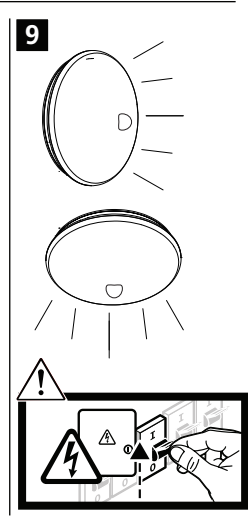
6



7



8



9

5-7 mm

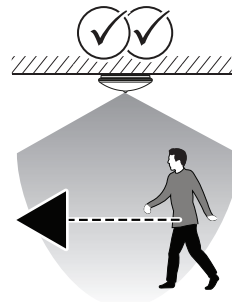
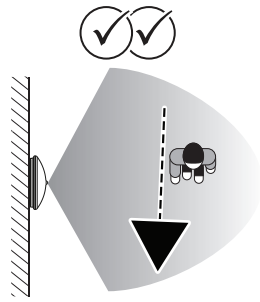
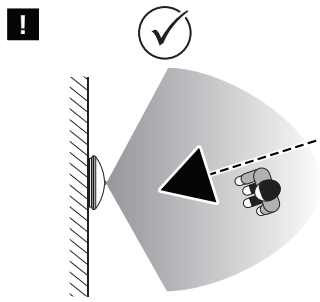
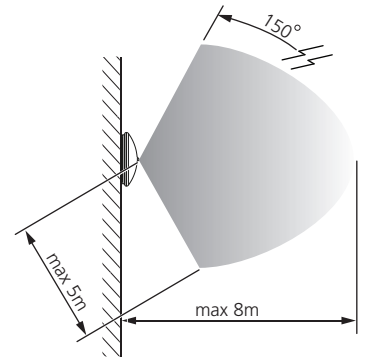
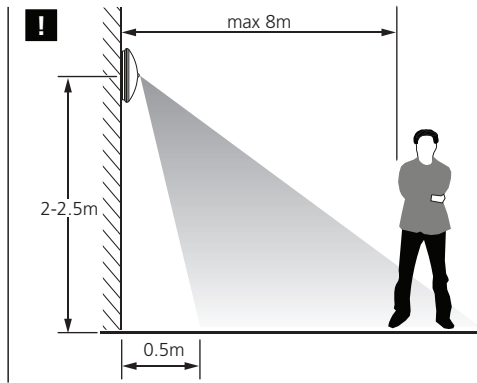
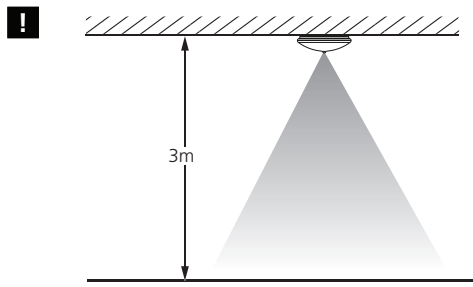
5-7 mm

max. 11 mm

min. 3 x 1.00 mm²

max. 3 x 2.50 mm²

	18W (pcs)	24W (pcs)
10A C-type	15	15
16A C-type	24	24



! TEST

