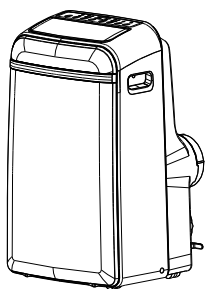


MOBILE TYPE AIR CONDITIONERS (LOCAL AIR CONDITIONERS)

OWNER'S MANUAL



Inside you will find many helpful hints on how to use and maintain your air conditioner properly. Just a little preventative care on your part can save you a great deal of time and money over the life of your air conditioner. Before operating this product, please read the instructions carefully and save this manual for future use.

Read This Manual

Inside you will find many helpful hints on how to use and maintain your air conditioner properly. Just a little preventive care on your part can save you a great deal of time and money over the life of your air conditioner. You'll find many answers to common problems in the chart of troubleshooting tips. If you review our chart of Troubleshooting Tips first, you may not need to call for service at all.

CAUTION

- This appliance can be used by children aged from 8 years and above and persons with reduced physical, sensory or mental capabilities or lack of experience and knowledge if they have been given supervision or instruction concerning use of the appliance in a safe way and understand the hazards involved. Children shall not play the appliance. Cleaning and user maintenance shall not be made by children without supervision. (be applicable for the European Countries)
- This appliance is not intended for use by persons (including children) with reduced physical ,sensory or mental capabilities or lack of experience and knowledge, unless they have been given supervision or instruction concerning use of the appliance by a person responsible for their safety. (be applicable for other countries except the European Countries)
- Children should be supervised to ensure that they do not play with the appliance.
- If the supply cord is damaged, it must be replaced by the manufacturer, its service agent or similarly qualified persons in order to avoid a hazard.
- The appliance shall be installed in accordance with national wiring regulations.
- Do not operate your air conditioner in a wet room such as a bathroom or laundry room.
- The appliance with electric heater shall have at least 1 meter space to the combustible materials.
- Contact the authorised service technician for repair or maintenance of this unit.
- Contact the authorised installer for installation of this unit.

CONTENTS

SOCIABLE REMARK

Sociable remark.....	2
----------------------	---

SAFETY PRECAUTIONS

Safety rules	3
Operating condition	3
Electrical information	4

IDENTIFICATION OF PARTS

Accessories	4
Names of parts.....	5

AIR CONDITIONER FEATURES

Electronic control operating instructions	6
---	---

OPERATING INSTRUCTIONS

Operating instructions	7
------------------------------	---

INSTALLATION INSTRUCTIONS

Location	9
Window kit installation	9
Exhaust hose installation	12
Water drainage	13

CARE AND MAINTENANCE

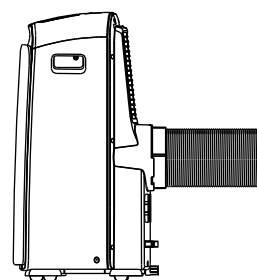
Care and maintenance	14
----------------------------	----

TROUBLESHOOTING TIPS

Trouble shooting	15
------------------------	----

NOTE

The rating data indicated on the energy label is based on the testing condition of installing the un-extended air exhaust duct without adaptor A & B (The duct and the adaptor A & B are listed in the accessories chart of the Instruction Manual). See the right figure.



When using this air conditioner in the European countries, the following information must be followed:

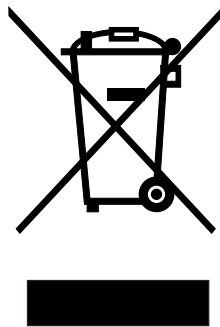
DISPOSAL: Do not dispose this product as unsorted municipal waste. Collection of such waste separately for special treatment is necessary.

It is prohibited to dispose of this appliance in domestic household waste.

For disposal, there are several possibilities:

- A) The municipality has established collection systems, where electronic waste can be disposed of at least free of charge to the user.
- B) When buying a new product, the retailer will take back the old product at least free of charge.
- C) The manufacture will take back the old appliance for disposal at least free of charge to the user.
- D) As old products contain valuable resources, they can be sold to scrap metal dealers.

Wild disposal of waste in forests and landscapes endangers your health when hazardous substances leak into the ground-water and find their way into the food chain.



CAUTION:

- This appliance is not intended for use by persons (including children) with reduced physical, sensory or mental capabilities, or lack of experience and knowledge, unless they have been given supervision or instruction concerning use of the appliance by a person responsible for their safety.
- Children should be supervised to ensure that they do not play with the appliance.

SAFETY PRECAUTIONS

Safety rules

To prevent injury to the user or other people and property damage, the following instructions must be followed. Incorrect operation due to ignoring of instructions may cause harm or damage.

! Always do this

- Your air conditioner should be used in such a way that it is protected from moisture. e.g. condensation, splashed water, etc. Do not place or store your air conditioner where it can fall or be pulled into water or any other liquid. Unplug immediately.
- Always transport your air conditioner in a vertical position and stand on a stable, level surface during use.
- Turn off the product when not in use.
- Always contact a qualified person to carry out repairs. If the supply cord is damaged it must be repaired by a qualified repairer.
- Keep an air path of at least 30cm all around the unit from walls, furniture and curtains.
- If the air conditioner is knocked over during use, turn off the unit and unplug from the mains supply immediately.

⊘ Never do this

- Do not operate your air conditioner in a wet room such as a bathroom or laundry room.
- Do not touch the unit with wet or damp hands or when barefoot.
- Do not press the buttons on the control panel with anything other than your fingers.
- Do not remove any fixed covers. Never use this appliance if it is not working properly, or if it has been dropped or damaged.
- Never use the plug to start and stop the unit.
- Always use the switch on the control panel.
- Do not cover or obstruct the inlet or outlet grilles.
- Do not use hazardous chemicals to clean or come into contact with the unit. Do not use the unit in the presence of inflammable substances or vapour such as alcohol, insecticides, petrol, etc.
- Do not allow children to operate the unit unsupervised.
- Do not use this product for functions other than those described in this instruction manual.

Energy Save

- Use the unit in the recommended room size.
- Locate the unit where furniture cannot obstruct the air flow.
- Keep blinds/curtains closed during the sunniest part of the day.
- Keep the filters clean.
- Keep doors and windows closed to keep cool air in and warm air out.

Operating condition

- The air conditioner must be operated within the temperature range indicated below:

MODE	ROOM TEMPERATURE
COOL	17°C(62°F)~35°C(95°F)
DRY	13°C(55°F)~35°C(95°F)
HEAT(heat pump type)	5°C(41°F)~30°C(88°F)
HEAT(electrical heat type)	≤30°C/88°F

Suggested tools for window kit installation

1. Screwdriver(medium size Phillips)
2. Tape measure or ruler
3. Knife or scissors
4. Saw(In the event that the window kit needs to be cut down in size because the window is too narrow for direct installation)

IDENTIFICATION OF PARTS

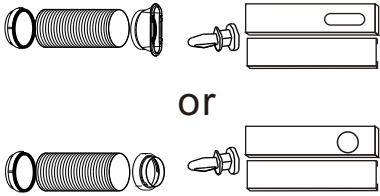
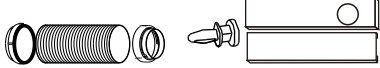





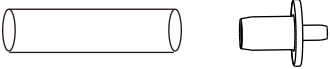
▲ WARNING For your safety

- Do not store or use gasoline or other flammable vapors and liquids in the vicinity of this or any other appliance.
- Avoid fire hazard or electric shock. Do not use an extension cord or an adaptor plug. Do not remove any prong from the power cord.

▲ WARNING Electrical Information

- Be sure the electrical service is adequate for the model you have chosen. This information can be found on the serial plate, which is located on the side of the cabinet and behind the grille.
- Be sure the air conditioner is properly grounded. To minimize shock and fire hazards, proper grounding is important. The power cord is equipped with a three-prong grounding plug for protection against shock hazards.
- Your air conditioner must be used in a properly grounded wall receptacle. If the wall receptacle you intend to use is not adequately grounded or protected by a time delay fuse or circuit breaker, have a qualified electrician install the proper receptacle.
- Ensure the receptacle is accessible after the unit installation.

Accessories

PARTS :	PARTS NAME :	QUANTITY :
 <p style="text-align: center;">or</p> 	Exhaust hose and Apaptorl and Adaptor B (flat mouth or round mouth :depending on models) Window Slider Kit and bolt	1 set
	Wall Exhaust Adaptor A(※)	1 pc
	Adaptor B(round mouth)(※)	1 pc
	Expansion Plug and wooden screw(※)	4/ pc
	Foam seal	3/pc
	Remote Controller and Battery (For remote control models only)	1pc
	Drain hose and drain hose adaptor(※)	1pc

NOTE: Optional parts(※), some models without.

- Check all the accessories are included in the package and please refer to the installation instructions for their usage.

NOTE: All the illustrations in this manual are for explanation purpose only. Your air conditioner may be slightly different. The actual shape shall prevail.

IDENTIFICATION OF PARTS

NAMES OF PARTS

Front

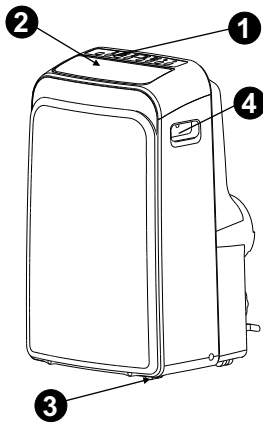


Fig.1

- ❶ Operation panel
- ❷ Horizontal louver blade (swing automatically)
- ❸ Caster
- ❹ Carrying handle (both sides)

Rear

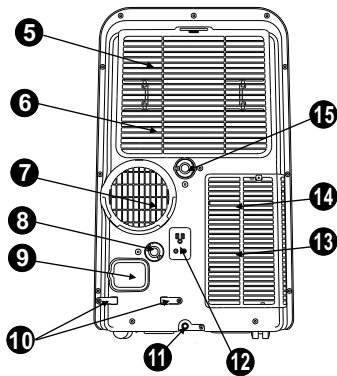


Fig.2

- ❺ Upper air filter (Behind the grille)
- ❻ Upper air intake
- ❼ Air outlet
- ❽ Drain outlet (only for Pump heating model)
- ❾ Power cord outlet
- ❿ Power cord buckle (Used only when storing the unit)
- ⓫ Bottom tray drain outlet
- ⓬ Power plug socket (Use only when storing the unit)
- ⓭ Lower air filter (Behind the grille)
- ⓮ Lower air intake
- ⓯ Drain outlet

AIR CONDITIONER FEATURES

ELECTRONIC CONTROL OPERATING INSTRUCTIONS

Before you begin, thoroughly familiarize yourself with the control panel and remote controller and all its functions, then follow the symbol for the functions you desire.

The unit can be controlled by the unit control panel alone or with the remote controller .

NOTE: This manual does not include Remote Controller Operations, see the <<Remote Controller Instruction>> packed with the unit for details.

OPERATION PANEL OF THE AIR CONDITIONER

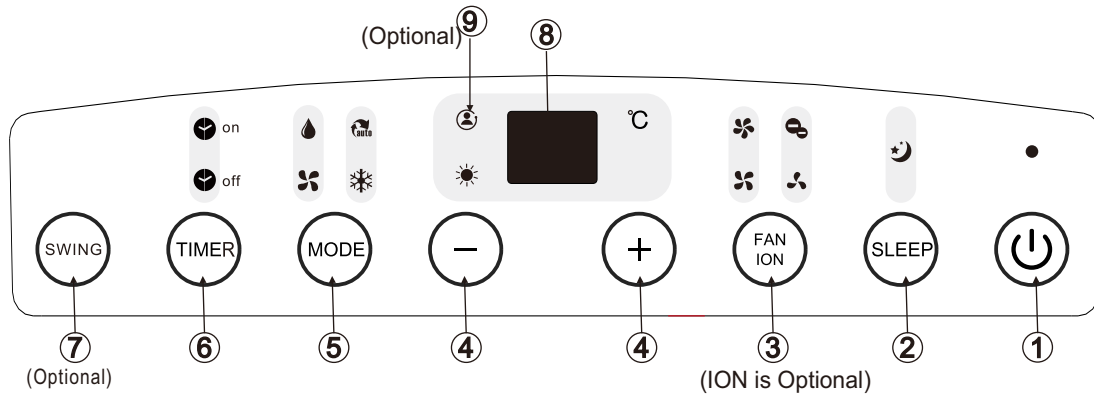


Fig.3

NOTE: On some models SLEEP button is instead of ECO button.

1 POWER button

Power switch on/off.

2 SLEEP/ECO button

Used to initiate the SLEEP/ECO operation.

3 FAN/ION button (ION is optional)

Control the fan speed. Press to select the fan speed in four steps-LOW, MED, HI and AUTO. The fan speed indicator light illuminates under different fan settings except AUTO speed. When select AUTO fan speed, all the fan indicator lights turn dark.

NOTE: Press this button for 3 seconds to initiate ION feature. The ion generator is energized and will help to remove pollen and impurities from the air, and trap them in the filter. Press it for 3 seconds again to stop the ION feature.

4 UP(+) and DOWN(-) button

Used to adjust (increasing/decreasing) temperature settings in 1°C/2°F (or 1°F) increments in a range of 17°C/62°F to 30°C/88°F (or 86°F) or the TIMER setting in a range of 0~24hrs.

NOTE: The control is capable of displaying temperature in degrees Fahrenheit or degrees Celsius. To convert from one to the other, press and hold the Up and Down buttons at the same time, for 3 seconds.

5 MODE select button

Selects the appropriate operating mode. Each time you press the button, a mode is selected in a sequence that goes from AUTO, COOL, DRY, FAN and HEAT (cooling only models without). The mode indicator light illuminates under the different mode settings.

6 TIMER button

Used to initiate the AUTO ON start time and AUTO OFF stop time program, in conjunction with the + & - buttons. The timer on/off indicator light illuminates under the timer on/off settings.

7 SWING button

(Applicable to the models with auto swing feature only)

Used to initiate the Auto swing feature. When the operation is ON, press the SWING button can stop the louver at the desired angle.

8 LED Display

Shows the set temperature in " °C" or " °F" (" °F" no display) and the Auto-timer settings.

While on DRY and FAN modes, it shows the room temperature.

OPERATING INSTRUCTIONS

Error codes and protection code:

- E1-** Room temperature sensor error-
Unplug the unit and plug it back in.
If error repeats, call for service.
- E2-** Evaporator temperature sensor error-
Unplug the unit and plug it back in.
If error repeats, call for service.
- E3-** Condenser temperature sensor error-
Unplug the unit and plug it back in. If error repeats, call for service (on some models).
- E4-** *Display panel communication error-*
Unplug the unit and plug it back in.
If error repeats, call for service.
- P1-** Bottom tray is full - Connect the drain hose and drain the collected water away.
If protection repeats, call for service.

9 FOLLOW ME/TEMP SENSING feature(optional)

NOTE: *This feature can be activated from the remote control ONLY. The remote control serves as a remote thermostat allowing for the precise temperature control at its location.*

To activate the Follow Me/Temp Sensing feature, point the remote control towards the unit and press the Follow Me/Temp Sensing button. The remote display is actual temperature at its location. The remote control will send this signal to the air conditioner every 3 minutes interval until press the Follow Me/Temp Sensing button again. If the unit does not receive the Follow Me/Temp Sensing signal during any 7 minutes interval, the unit will beep to indicate the Follow Me/Temp Sensing mode has ended.

Operating Instructions

COOL operation

- Press the "MODE" button until the "COOL" indicator light comes on.
- Press the ADJUST buttons "+" or "-" to select your desired room temperature. The temperature can be set within a range of 17°C-30°C/62°F-88°F (or 86°F).
- Press the "FAN SPEED" button to choose the fan speed.

HEAT operation(cooling only models without)

- Press the "MODE" button until the "HEAT" indicator light comes on.
- Press the ADJUST buttons "+" or "-" to select your desired room temperature. The temperature can be set within a range of 17°C-30°C/62°F-88°F (or 86°F).
- Press the "FAN SPEED" button to choose the fan speed. For some models, the fan speed can not be adjusted under HEAT mode.

DRY operation

- Press the "MODE" button until the "DRY" indicator light comes on.
- Under this mode, you cannot select a fan speed or adjust the temperature. The fan motor operates at LOW speed.
- Keep windows and doors closed for the best dehumidifying effect.
- Do not put the duct to window.

AUTO operation

- When you set the air conditioner in AUTO mode, it will automatically select cooling, heating(cooling only models without), or fan only operation depending on what temperature you have selected and the room temperature.
- The air conditioner will control room temperature automatically round the temperature point set by you.
- Under AUTO mode, you can not select the fan speed.

NOTE: Under AUTO mode, both the AUTO mode and the actual operation mode indicator lights illuminate.

FAN operation

- Press the "MODE" button until the "FAN" indicator light comes on.
- Press the "FAN SPEED" button to choose the fan speed. The temperature cannot be adjusted.
- Do not put the duct to window.

TIMER operation

- When the unit is on, press the Timer button will initiate the Auto-off stop program, the TIMER OFF indicator light illuminates. Press the UP or down button to select the desired time. Press the TIMER button again within 5 seconds, the Auto-on start program is initiated. And the TIMER ON indicator light illuminates. Press the up or down button to select the desired Auto-on start time.

OPERATING INSTRUCTIONS

- When the unit is off, press the Timer button to initiate the Auto-on start program, press it again within five seconds will initiate the Auto-off stop program.
- Press or hold the UP or DOWN button to change the Auto time by 0.5 hour increments, up to 10 hours, then at 1 hour increments up to 24 hours. The control will count down the time remaining until start.
- The system will automatically revert back to display the previous temperature setting if there is no operation in a five seconds period.
- Turning the unit ON or OFF at any time or adjusting the timer setting to 0.0 will cancel the Auto Start/ Stop timer program.
- When the malfunction (E1, E2, E3 or E4) occurs, the Auto Start/Stop timed program will also be cancelled.

SLEEP/ECO operation

Press this button, the selected temperature will increase (cooling) or decrease (heating) by 1°C/2°F (or 1°F) 30 minutes. The temperature will then increase (cooling) or decrease (heating) by another 1°C/2°F (or 1°F) after an additional 30 minutes. This new temperature will be maintained for 7 hours before it returns to the originally selected temperature. This ends the Sleep/Eco mode and the unit will continue to operate as originally programmed.

NOTE: This feature is unavailable under FAN or DRY mode.

Other features

Auto-Restart (on some models)

If the unit breaks off unexpectedly due to the power cut, it will restart with the previous function setting automatically when the power resumes.

Wait 3 minutes before resuming operation

After the unit has stopped, it can not be restarted operation in the first 3 minutes. This is to protect the unit. Operation will automatically start after 3 minutes.

Air flow direction adjustment

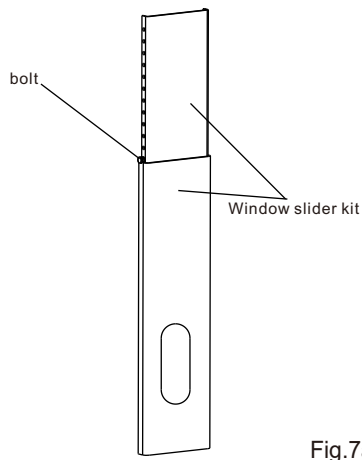
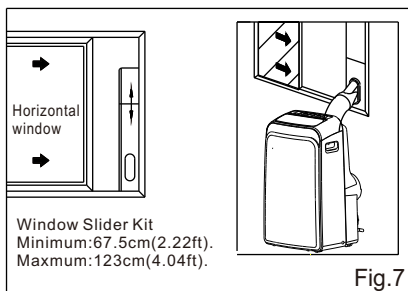
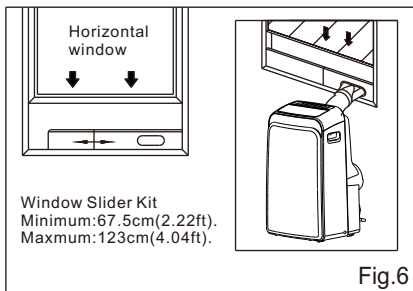
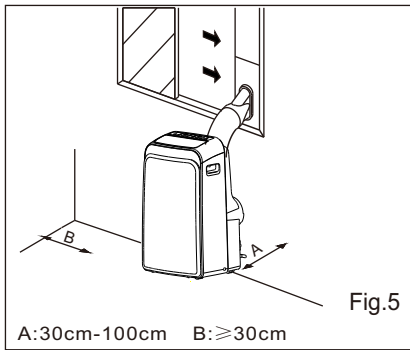
The louver can be adjusted automatically.

- **Adjust the air flow direction automatically (Fig.4):**
 - When the Power is ON, the louver opens fully. Press the SWING button on the panel or remote controller to initiate the Auto swing feature.
 - The louver will swing up and down automatically.
 - Please do not adjust the louver manually.



Fig.4

INSTALLATION INSTRUCTIONS(optional)



INSTALLATION INSTRUCTIONS

Location

- The air conditioner should be placed on a firm foundation to minimize noise and vibration. For safe and secure positioning, place the unit on a smooth, level floor strong enough to support the unit.
- The unit has casters to aid placement, but it should only be rolled on smooth, flat surfaces. Use caution when rolling on carpet surfaces. Do not attempt to roll the unit over objects.
- The unit must be placed within reach of a properly rated grounded socket.
- Never place any obstacles around the air inlet or outlet of the unit.
- Allow 30cm to 100cm of space from the wall with for efficient air-conditioning.

Window slider kit Installation

Your window slider kit has been designed to fit most standard "Vertical" and "horizontal" window applications, However, it may be necessary for you to improvise/modify some aspects of the installation procedures for certain types of window. Please refer to Fig. 6& Fig.7 for minimum and maximum window openings. Window slider kit can be fixed with a bolt (see Fig.7a).

Note: If the window opening is less than the mentioned minimum length of the window slider kit, cut that one with a hole in it short to fit for the window opening. Do never cut out the hole in window slider kit.

INSTALLATION INSTRUCTIONS(optional)

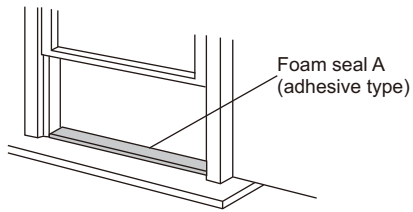


Fig.8

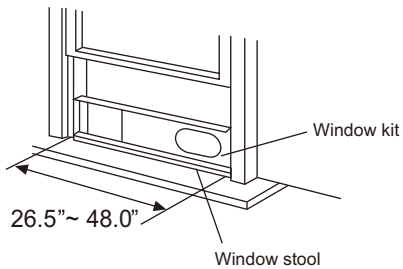


Fig.9

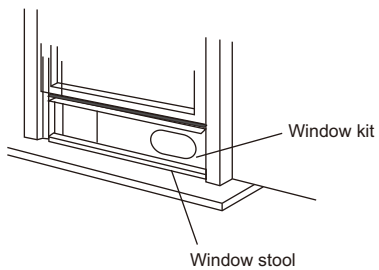


Fig.10

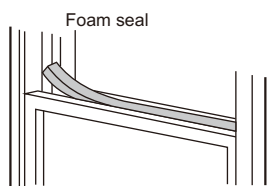


Fig.11

Installation in a double-hung sash window

1. Cut the foam seal(adhesive type) to the proper length and attach it to the window stool. Fig.8
2. Attach the window slider kit to the window stool. Adjust the length of the window slider kit according to the width of window, shorten the adjustable window kit if the width of window is less than 26.5 inches
Open the window sash and place the window slider kit on the window stool. Fig.9
3. Cut the foam seal(adhesive type) to the proper length and attach it on the top of the window. Shown as in Fig.10
4. Close the window sash securely against the window.
5. Cut the foam seal to an appropriate length and seal the open gap between the top window sash and outer window sash. Shown as in Fig.11.

INSTALLATION INSTRUCTIONS(optional)

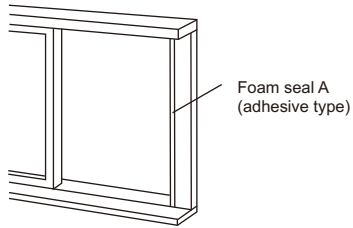


Fig.12

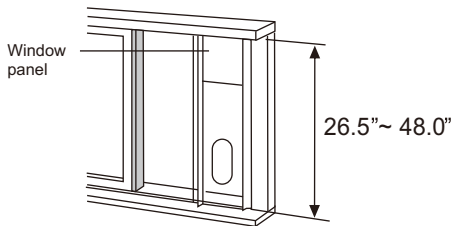


Fig.13



Fig.14

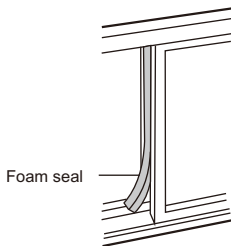


Fig.15

Installation in a sliding sash window

1. Cut the foam seal(adhesive type) to the proper length and attach it to the window frame. See Fig.12.
2. Attach the window slider kit to the window stool. Adjust the length of the window slider kit according to the width of window, shorten the adjustable window kit if the width of window is less than 26.5 inches. Open the window sash and place the window slider kit on the window stool. See Fig.13.
3. Cut the foam seal(adhesive type) to the proper length and attach it on the top of the window. Shown as in Fig.14.
4. Close the sliding sash securely against the window.
5. Cut the foam seal to an appropriate length and sea the open gap between the top window sash and outer window sash. Shown as in Fig.15.

NOTE:All the illustrations in this manual are for explanation purpose only.Your unit may be slightly different. The actual shape shall prevail.

INSTALLATION INSTRUCTIONS

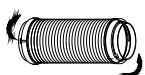


Fig. 16a

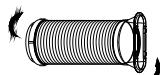


Fig. 16b

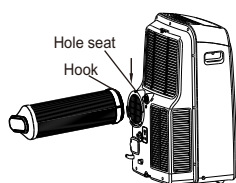


Fig. 17

Exhaust hose installation:

The exhaust hose and adaptor must be installed or removed in accordance with the usage mode.

COOL, HEAT (heat pump type) or AUTO mode	Install
FAN, DEHUMIDIFY or HEAT (electrical heat type) mode	Remove

1. Install the adaptor B and adaptor I onto the exhaust hose as shown in Fig. 16a or Fig. 16b. Refer to the previous pages for window kit installation.
2. Reset the hook of the Exhaust hose into the hole seat of the air outlet and slide down the Exhaust hose along the arrow direction (See Fig. 17) for installation.

The exhaust hose can be installed into the wall

(Not applicable to the units without adaptor A, expansion plugs and wooden screws of Accessories).

1. Prepare a hole in the wall. Install the wall Exhaust adaptor A onto the wall (outside) by using 4 expansion plugs and wooden screws, be sure to fix thoroughly. (See Fig. 18)
2. Attach the Exhaust hose to wall Exhaust adaptor A.

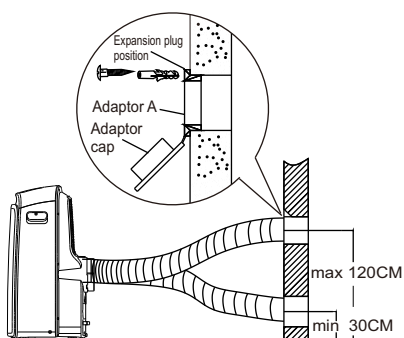


Fig. 18

Note:

Cover the hole using the adaptor cap when not in use.

- The exhaust hose can be compressed or extended moderately according to the installation requirement, but it is desirable to keep the hose length to a minimum.

IMPORTANT:

DO NOT OVER BEND THE EXHAUST HOSE (SEE Fig. 19)

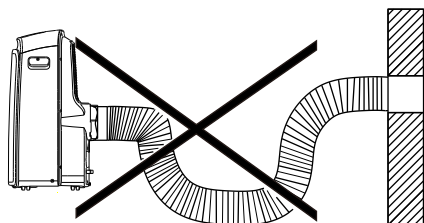


Fig. 19

⚠ CAUTION:

Make sure that there is no obstacle around the air outlet of the exhaust hose (in the range of 500mm) in order to the exhaust system works properly.

INSTALLATION INSTRUCTIONS

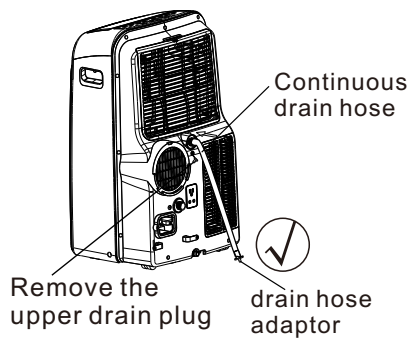


Fig.20a

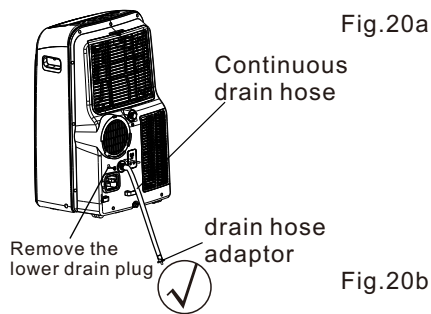


Fig.20b

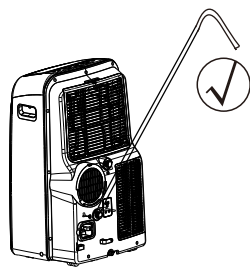


Fig.21a

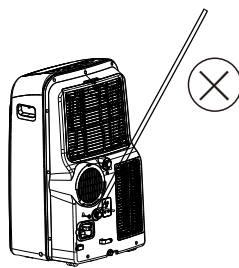


Fig.21b

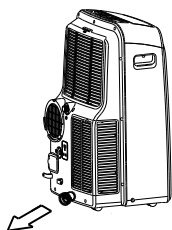


Fig.22

Water drainage:

- During dehumidifying modes, remove the upper drain plug from the back of the unit, install the drain connector(5/8" universal female mender) with 3/4" hose(locally purchased). For the models without drain connector, just attach the drain hose to the hole. Place the open end of the hose adaptor directly over the drain area in your basement floor. Please refer to Fig.20a.

- During heating pump mode, remove the lower drain plug from the back of the unit, install the drain connector(5/8" universal female mender) with 3/4" hose(locally purchased). For the models without drain connector, just attach the drain hose to the hole. Place the open end of the hose adaptor directly over the drain area in your basement floor. Please refer to Fig.20b.

NOTE: Make sure the hose is secure so there are no leaks. Direct the hose toward the drain, making sure that there are no kinks that will stop the water flowing. Place the end of the hose into the drain and make sure the end of the hose is down to let the water flow smoothly.(See Fig.20a,20b,21a). Do never let it up.(See Fig.21b).

- When the water level of the bottom tray reaches a predetermined level, the unit beeps 8 times, the digital display area shows "P1" . At this time the air conditioning/dehumidification process will immediately stop. However, the fan motor will continue to operate(this is normal).

Carefully move the unit to a drain location, remove the bottom drain plug and let the water drain away(Fig.22). Reinstall the bottom drain plug and restart the machine until the "P1" symbol disappears. If the error repeats, call for service.

NOTE: Be sure to reinstall the bottom drain plug before using the unit.

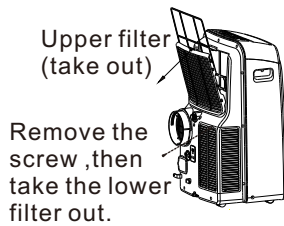


Fig.23

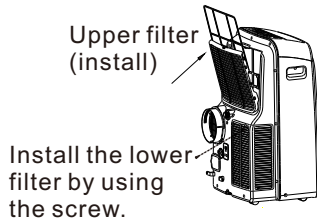


Fig.24

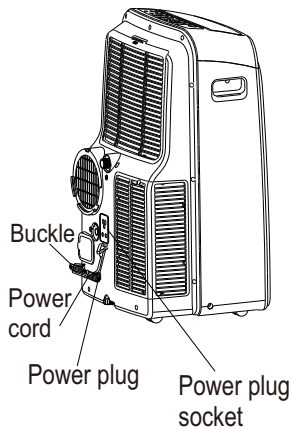


Fig.25

CARE AND MAINTENANCE

IMPORTANT:

- 1) Be sure to unplug the unit before cleaning or servicing.
- 2) Do not use gasoline, thinner or other chemicals to clean the unit.
- 3) Do not wash the unit directly under a tap or using a hose. It may cause electrical danger.
- 4) If the power cord is damaged, it should be repaired by manufacture or its agency.

1. Air filter

- Clean the air filter at least once every two weeks to prevent inferior fan operation because of dust.
- Removal
This unit has two filters. Take the upper filter out along the the arrow direction (Fig.23),then take the filter down. Remove the lower filter by loosening the screw, taking out the filter as shown in Fig.23.
- Cleaning
Wash the air filter by immersing it gently in warm water (about 40°C/104°F) with a neutral detergent. Rinse the filter and dry it in a shady place.
- Mounting
Install the upper air filter after cleaning , and install the lower filter by using the screw (see Fig.24).

2. Unit enclosure

- Use a lint-free cloth soaked with neutral detergent to clean the unit enclosure. Finished by a dry clean cloth.

3. Unit idle for a long time

- Remove the rubber plug at the back of the unit and attach a hose to drain outlet. Place the open end of the hose directly over the drain area in your basement floor (See Fig.20 & 21).
- Remove the plug from the bottom drain outlet, all the water in the bottom tray would drain out (See Fig.22).
- Keep the appliance running on FAN mode for half a day in a warm room to dry the appliance inside and prevent mold forming.
- Stop the appliance and unplug it, wrapped the cord and bundle it with the tape(Fig.25). Remove the batteries from the remote controller.
- Clean the air filter and reinstall it.

TROUBLESHOOTING TIPS

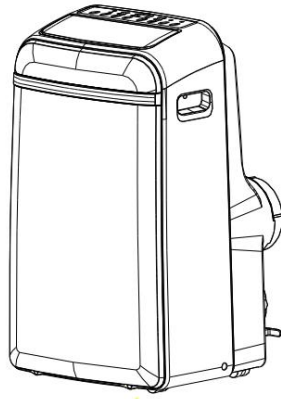
TROUBLE SHOOTING

TROUBLES	POSSIBLE CAUSES	SUGGEST REMEDIES
1. Unit does not Start when Pressing on/off Button	- P1 appears in the display window	Drain the water in the bottom tray.
	- Room temperature is lower than the set temperature.(Cooling mode)	Reset the temperature.
2. Not cool enough	- The windows or doors in the room are not closed.	Make sure all the windows and doors are closed.
	- There are heat sources inside the room.	Remove the heat sources if possible.
	- Exhaust air duct is not connected or blocked.	Connect the duct and make sure it can function properly.
	- Temperature setting is too high.	Decrease the set temperature.
	- Air filter is blocked by dust.	Clean the air filter.
4. Noisy or vibration	- The ground is not level or not flat enough.	Place the unit on a flat, level ground if possible.
5. Gurgling sound	- The sound comes from the flowing of the refrigerant inside the air-conditioner.	It is normal.
6. Power shut off at Heating mode	- The automatic over heat protection function. When the temperature at the air outlet exceed 70°C/158°F, the device will stop.	Switch on again after the unit has cool down.

The design and specifications are subject to change without prior notice for product improvement. Consult with the sales agency or manufacturer for details.

Siirrettävä ilmastointilaite (pienilmastointilaite)

Käyttäjän ohje



Tästä ohjeesta löydät hyödyllisiä ohjeita ilmastointilaitteesi oikeaan käyttöön ja huoltoon. Hoitamalla laitetta oikein voit säästää huomattavasti aikaa ja rahaa laitteen elinkaaren aikana. Lue tämä ohje huolella ennen laitteen käyttöä ja säilytä ohje myöhempää käyttöä varten.

Lue tämä käyttöohje

Tästä ohjeesta löydät hyödyllisiä ohjeita ilmastointilaitteesi oikeaan käyttöön ja huoltoon. Hoitamalla laitetta oikein voit säästää huomattavasti aikaa ja rahaa laitteen elinkaaren aikana. Ohjeen ongelmanratkaisutaulukosta löytyy useita vastauksia yleisimpiin ongelmatilanteisiin. Tarkista taulukko ongelmatilanteissa jolloin yhteydenotto huoltoon ei ole välttämättä tarpeellista.

Varoitus

- Tätä laitetta saa käyttää vain kahdeksanvuotiaat ja sitä vanhemmat henkilöt. Henkilöt, joilla on rajoittuneet fyysiset-, henkiset- tai aistikyvyt, tai muuten riittämätön kokemus ja tieto, saavat käyttää laitetta vain valvonnan alaisina tai jos heille on annettu riittävä opastus laitteen käyttöön ja he ymmärtävät laitteen käyttämiseen liittyvät riskit. Lapset eivät saa leikkiä laitteella. Lasten ei tule huoltaa ja puhdistaa laitetta ilman valvontaa (pätee kaikissa Euroopan maissa).
- Tätä laitetta ei ole tarkoitettu sellaisten henkilöiden käytettäväksi, joilla on heikentyneet fyysiset, henkiset tai aistimelliset kyvyt, ellei heillä ole riittävää valvontaa ja laitetta koskevaa opastusta näiden henkilöiden turvallisuudesta vastuussa olevan henkilön toimesta. (Pätee muissa kuin Euroopan maissa.)
- Lapsia tulee valvoa laitteen läheisyydessä, jotta he eivät leikkisi laitteella.
- Jos laitteen virtajohto on vahingoittunut, se tulee vaihdattaa valmistajalla, huoltoliikkeellä tai vastaavalla valtuutetulla henkilöllä, jotta vältetään onnettomuuksilta.
- Laitteen asennus on suoritettava kansallisia johdotussääntöjä noudattaen.
- Älä käytä laitetta kosteissa tiloissa kuten kylpyhuoneessa tai pyykkihuoneessa.
- Laitteet, jossa on sähköinen lämmitin, täytyy sijoittaa vähintään 1 metrin päähän syttyvistä materiaaleista.
- Ota yhteyttä valtuutettuun huoltoon, jos tämä laite vaatii huoltoa tai korjausta.
- Ota yhteyttä valtuutettuun asentajaan tämän laitteen asentamisessa.

Sisältö

Vastuulauseke

Vastuulauseke	2
---------------------	---

Turvaohjeet

Turvamääräykset.....	3
Käyttöympäristö.....	3
Tekniset tiedot.....	4

Laitteen osat

Lisätarvikkeet.....	4
Osien nimet.....	5

Ilmastointilaitteen ominaisuudet

Ohjainpaneelin käyttö.....	6
----------------------------	---

Käyttöohjeet

Laitteen käyttäminen.....	7
---------------------------	---

Asennusohjeet

Paikka.....	9
Ikkunaosan asentaminen.....	9
Poistoletkun asentaminen.....	12
Veden poisto.....	13

Huolto ja puhdistus

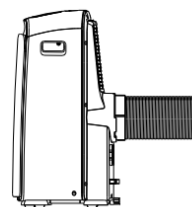
Huolto ja puhdistus.....	14
--------------------------	----

Ongelmanratkaisuohteet

Ongelmanratkaisu.....	15
-----------------------	----

Huomio

Energianmerkinnän arvot perustuvat testausolosuhteisiin jossa poistoputkea ei ole jatkettu eikä A & B adapteria ole käytetty. (Putki ja A & B adapterit on listattu Lisäosat- osiossa tässä käyttöohjeessa. Katso oikealla oleva kuvio.



Vastuulause

Kun laitetta käytetään Euroopan maissa, tulee noudattaa seuraavia määräyksiä:

Hävittäminen: Älä hävitä laitetta muun lajittelemattoman kotitalousjätteen seassa. Tällainen jäte kerätään erikseen, jotta se voidaan käsitellä asianmukaisella tavalla.

On kiellettyä hävittää tämä laite kotitalousjätteenä.

Laitteen hävittämiseen on useita vaihtoehtoja:

- A) Kunnallinen jätteenkeräyspiste, jonne käyttäjä voi jättää sähkö- ja elektroniikkajätettä ilman maksua.
- B) Jos tilalle ostetaan uusi laite, jälleenmyyjä ottaa vanhan laitteen maksutta vastaan.
- C) Valmistaja ottaa vanhan laitteen maksutta vastaan.
- D) Vanhoissa laitteissa on arvokkaita materiaaleja, joten romunkeräysyritykset voivat ostaa ne.

Laitteen vastuuton hävittäminen metsään tai muualle luontoon vaarantaa ihmisten ja luonnon terveyden, koska vaaralliset aineet voivat valua pintavesiin ja päätyä ravintoketjuun.



VAROITUS:

- Tätä laitetta ei ole tarkoitettu sellaisten henkilöiden käytettäväksi, joilla on heikentyneet fyysiset, henkiset tai aistimelliset kyvyt, ellei heillä ole riittävää valvontaa ja laitetta koskevaa opastusta näiden henkilöiden turvallisuudesta vastuussa olevan henkilön toimesta.
- Lapsia tulee valvoa laitteen läheisyydessä, jotta he eivät leikkisi laitteella.

TURVAOHJEET

Turvamääräykset

Jotta välttyttäisiin käyttäjään, muihin ihmisiin tai omaisuuteen kohdistuvilta vahingoilta, tulee noudattaa seuraavia ohjeita. Laitteen vääränlainen, turvaohjeiden vastainen käyttö voi aiheuttaa vahinkoja.

Toimi aina näin:

- Ilmastointilaitettasi tulee käyttää niin, että se ei altistu kosteudelle, esimerkiksi kondensaatio, vesiroiskeet ym. Älä sijoita tai säilytä laitetta paikassa, jossa se voi pudota veteen tai muuhun nesteeseen. Ota virtajohto pois välittömästi.
- Siirrä laitetta aina pystyasennossa ja pidä se tasaisella pinnalla käytön aikana.
- Kytke virta pois, jos laitetta ei käytetä.
- Ota aina yhteyttä valtuutettuun huoltoon, laitetta korjattaessa. Jos virtajohto on vahingoittunut, sen saa vaihtaa vain valtuutettu henkilö.
- Laitteen ja seinien, huonekalujen ja verhojen väliin on jätettävä vähintään 30cm tilaa, jotta ilma pääsee kiertämään.
- Jos ilmastointilaitte kaatuu sen ollessa käytössä, sammuta laite ja ota virtajohto välittömästi pois seinästä.

Älä koskaan toimi näin:

- Älä käytä laitetta kosteissa tiloissa kuten kylpyhuoneessa tai pyykkihuoneessa.
- Älä koske laitetta märillä käsillä tai avojaloin ollessa.
- Älä paina laitteen ohjauspaneelissa olevia painikkeita millään muulla kuin sormillasi.
- Älä poista pysyvästi kiinnitettyjä suojapaneeleita. Älä käytä laitetta, jos se ei toimi oikein tai se on vahingoittunut.
- Älä käynnistä ja sammuta laitetta kytkemällä pelkästään virtajohto, käytä aina ohjauspaneelin kytkintä.
- Älä tuki sisäänotto- ja ulostuloritilöitä.
- Älä käytä vaarallisia kemikaaleja laitteen puhdistukseen, äläkä päästä niitä kosketuksiin laitteen kanssa. Älä käytä laitetta helposti syttyvien aineiden ja kaasujen, kuten alkoholin, hyönteismyrkkujen, bensiinin ym. Läheisyydessä.
- Älä anna lasten käyttää laitetta ilman valvontaa.
- Älä käytä laitetta muuhun kuin käyttöohjeessa kuvailtuun

Energian säästö

- Käytä laitetta suositellussa huonekoossa.
- Sijoita laite niin, että huonekalut eivät estä ilman virtaamista.
- Pidä verhot ja ikkunaluukut kiinni päivän aurinkoisimpina hetkinä.
- Pidä suodattimet puhtaina.
- Pidä ovet ja ikkunat suljettuina, jotta viileä ilma pysyy sisällä ja lämmin ulkona.

Käyttöympäristö

Tätä ilmastointilaitetta on käytettävä alla olevan taulukon mukaisissa lämpötiloissa.

Tila	Huoneen lämpötila
Viilennys	17°C (62°F)~35°C (95°F)
Kuivaus	13°C (55°F)~35°C (95°F)
Lämmitys (lämpöpumpullinen malli)	5°C (41°F)~30°C (88°F)
Lämmitys (sähkölämmiteinen malli)	<30°C /88°F

Suosittelut työkalut ikkunaosan asentamiseen:

1. Ruuvinväännin (keskikokoinen Phillips)
2. Mittanauha tai viivoitin
3. Veitsi tai sakset
4. Saha (Siltä varalta, että ikkunaosaa täytyy pienentää, jos ikkuna on liian kapea.)

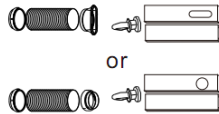






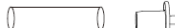
Turvallisuusvaroitus: oman turvallisuutes

- Älä säilytä tai käytä bensiiniä tai muita helposti syttyviä kaasuja tai nesteitä tämän tai minkään muun sähkölaitteen läheisyydessä.
- Vältä palovaaraa ja sähköiskua. Älä käytä jatkojohtoa tai adapteria. Älä poista piikkejä virtapistokkeesta.

Varoitus: Tekniset tiedot

- Varmista, että virran tarjonta vastaa valitsemaasi mallia. Tarvittavat tiedot löytyvät sarjamerkinästä, joka löytyy laitteen sivusta ja ritilän alta.
- Varmista, että ilmastointilaitte on maadoitettu oikein. Maadoitus on tärkeä sähköiskujen ja palovaaran välttämiseksi. Virtajohdossa on kolmipiikkinen maadoitettu pistoke sähköiskujen ehkäisemiseksi.
- Ilmastointilaitetta tulee käyttää oikein maadoitetussa seinäpistorasiassa. Jos pistorasia, jossa laitetta aiotaan käyttää, ei ole oikein maadoitettu tai suojattu viivesulakkeella tai automaattisulakkeella, kutsu sähkötekniikko asentamaan oikeanlainen pistorasia. Varmista ennen asennusta, että pistorasia on saavutettavissa.

Lisäosat

Osat	Osien nimet	Määrä
 or 	Poistoletku ja sovitin A ja sovitin B (Litteä tai pyöreä suu, mallista riippuen. Ikkunakiinnike ja pultti	1 setti
	Seinäpoisto sovitin A(*)	1 kpl
	Sovitin B(pyöreä suu)(*)	1 kpl
	Jatkoplugi ja puuruuvi (*)	4 /kpl
	Vaahtoeriste	3 /kpl
	Kauko-ohjain ja paristo (Vain kauko-ohjaimelliset mallit)	1kpl
	Poistoletku ja letkun sovitin(*)	1kpl

Huomio: valinnainen osa (*), ei kaikissa malleissa

Tarkista että kaikki osat ovat pakkauksessa ja katso käyttöohjeesta ohjeita niiden käytöstä.

Laitteen osat

Osien nimet



Fig.1

Etupuoli

- 1 ohjauspaneeli
- 2 Vaakasuora ilmanohjaussiivet (automaattinen liike)
- 3 Rulla
- 4 Kuljetuskahva (kummallakin puolella)

Takapuoli

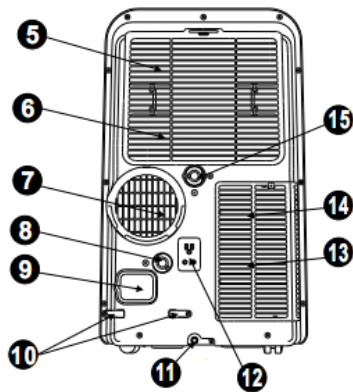


Fig.2

- 5 Ylempi ilmansuodatin (ritilän takana)
- 6 Ylempi ilmanottoaukko
- 7 Ilman poistoaukko
- 8 Veden poistoaukko (vain lämpöpumpumallit)
- 9 Virtajohto ja poistoaukko
- 10 Virtajohdon pidin (Käytä vain varastoitaessa)
- 11 Veden poistosäiliö
- 12 Virtapistokkeen pidike (Käytä vain varastoitaessa)
- 13 Alempi ilmansuodatin (ritilän takana)
- 14 Alempi ilman ottoaukko
- 15 Veden poistoaukko

ILMASTOINTILAITTEEN OMINAISUUDET

OHJAINPANEELIN KÄYTTÖ

Ennen laitteen käyttöä, tutustu huolella laitteen ohjainpaneelin ja kaukosäätimen käyttöön ja toimintoihin. Kuvakkeet osoittavat halutun toiminnon. Tätä laitetta voi ohjata ohjainpaneelilla tai kauko-ohjaimella.

HUOMAA: Tämä käyttöohje ei sisällä kauko-ohjaimen käyttöohjeita. Katso pakkauksen mukana tuleva "Kauko-ohjaimen käyttöohjeet".

Ilmastointilaitteen ohjainpaneeli

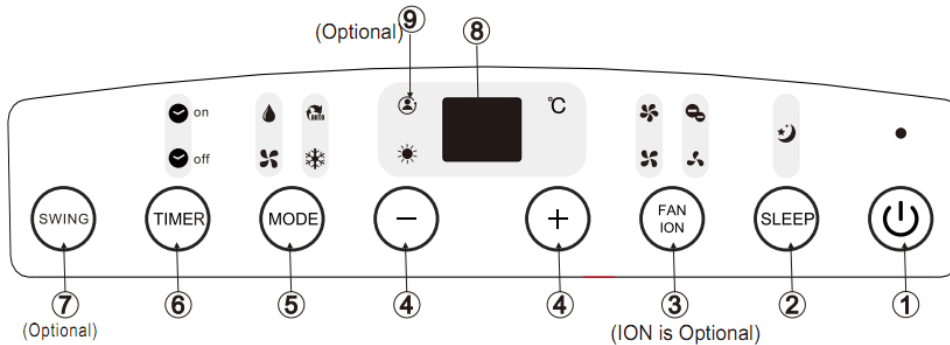


Fig.3

Huomaa: Joissain malleissa ECO-painiketta vastaa SLEEP-painike.

1 POWER-painike virta päälle / pois

2 SLEEP / ECO -painike, SLEEP / ECO -tilan käyttö

3 FAN / ION -painike, (ION on valinnainen)

Ohjaa tuulettimen nopeutta. Paina valitaksesi tuulettimen nopeus neljästä vaihtoehdosta -matala (LOW),keskitaso (MED), korkea (HI) ja automaattinen (AUTO). Tuulettimen nopeuden merkkivalo syttyy muissa kuin AUTO-tilassa. Kun AUTO-tila on valittu, kaikki tuulettimen merkkivalot sammuvat.

HUOMAA: Paina painiketta 3 sekuntia valitaksesi ION-toiminnon. Ionigeneraattori alkaa toimia ja auttaa poistamaan ilmasta siitepölyä ja epäpuhtauksia ja vangitsee ne suodattimeen. Paina painiketta uudestaan 3 sekuntia lopettaaksesi toiminnon.

4 ylös (+) ja alas (-) -painike

Käytetään lämpötila-asetuksen nostamiseen tai laskemiseen. (1 °C/2 F askelin) välillä 17 °C (62 F) ~ 30°C (88 F) tai ajastimen (TIMER) asettamiseen välillä 0~24 tuntia.

HUOMAA: Ohjainpaneeli voi näyttää lämpötilan fahrenheit- tai celsiusasteikolla. Voit vaihtaa asteikkoa painamalla + ja – painikkeet yhtä aikaa alas kolmen sekunnin ajaksi.

5 toimintatila (MODE) -painike

Painikkeella valitaan haluttu toimintatila. Kun painiketta painetaan eri toimintatila tulee käyttöön järjestyksessä: automaattinen (AUTO), viilennys (COOL), kuivaus (DRY), tuuletus (FAN) ja lämmitys (HEAT) (ei malleissa, joissa vain viilennys).

Ilmaisvalo syttyy valitun toimintatilan kuvakkeen kohdalle.

6 TIMER -painike

Painikkeella valitaan yhdessä +& - painikkeiden kanssa automaattisen käynnistyksen (AUTO ON) alkamisaika ja päättymisaika (AUTO OFF).

Ilmaisvalo osoittaa ajastimen olevan päällä tai pois.

7 SWING -painike

(Vain mallit, joissa on kaihtimen automaattinen liiketoiminto (SWING) -toiminto). Painike käynnistää kaihtimen automaattisen liikkeen. Kun automaattisen kääntymisen tila on käytössä, SWNG-painikkeen painaminen pysäyttää kaihtimen haluttuun kulmaan.

8 LED näyttö

Näyttää lämpötilan °C tai °F -asteikolla sekä ajastimen asetuksen. Kun kuivaus (DRY) ja tuuletus (FAN) tila on käytössä, näyttö näyttää huoneen lämpötilan.

KÄYTTÖOHJEET

Virhekoodit ja turvakoodit:

E1- Huoneen lämpötilasensorin virhe. Ota virtajohto pois pistokkeesta ja kytke uudestaan pistokkeeseen. Jos virhe toistuu, ota yhteyttä huoltoon.

E2- Haihduttimen lämpötilasensorin virhe. Ota virtajohto pois pistokkeesta ja kytke uudestaan pistokkeeseen. Jos virhe toistuu, ota yhteyttä huoltoon.

E3- Kondensaattorin lämpötilasensorin virhe. Ota virtajohto pois pistokkeesta ja kytke uudestaan pistokkeeseen. Jos virhe toistuu, ota yhteyttä huoltoon (tietyt mallit).

E4- Näyttöpaneelin virhe. Ota virtajohto pois pistokkeesta ja kytke uudestaan pistokkeeseen. Jos virhe toistuu, ota yhteyttä huoltoon.

P1- Veden poistosäiliö on täynnä. Kytke poistoletku ja poista vesi. Jos turvakoodi ei häviä, ota yhteyttä huoltoon.

9 Seuraaminen (FOLLOW ME) / lämpötilan tarkkailu (TEMP SENSING) -toiminnot

Huomaa: Tämä toiminto voidaan ottaa käyttöön vain kauko-ohjaimella. Kaukosäädin toimii etätermostaattina, jonka avulla voidaan lämpötila säätää mahdollisimman tarkasti kyseisessä paikassa. Käynnistä seuraaminen/lämpötilan tarkkailu osoittamalla kauko-ohjaimella ilmastointilaitteeseen ja painamalla Follow Me/Temp Sensing -painiketta. Kauko-ohjain näyttää kyseisessä paikassa vallitsevan lämpötilan. Kauko-ohjain lähettää signaalin ilmastointilaitteelle aina 3 minuutin välein, kunnes Follow Me/Temp Sensing -painiketta painetaan uudestaan. Jos ilmastointilaitte ei vastaanota Follow Me / lämpötilan tarkkailu -signaalia seitsemään minuuttiin, laite piippaa merkiksi, että Follow ME / lämpötilan tarkkailu -toiminto loppuu.

Käyttöohjeet

Viilennys (COOL) -toiminto

- Paina MODE-painiketta, kunnes COOL-tilan ilmaisivalo syttyy.
- Paina "+" tai " - " -painikkeita valitaksesi halutun huoneen tavoitelämpötilan. Lämpötila voidaan

asettaa välillä 17°C-30°C/62°F-88°F.

- Paina FAN SPEED -painiketta valitaksesi tuulettimen nopeuden.

Lämmitys (HEAT) -toiminto (ei malleissa, joissa vain viilennystoiminto)

- Paina MODE-painiketta, kunnes HEAT-tilan ilmaisivalo syttyy.

- Paina "+" tai " - " -painikkeita valitaksesi halutun huoneen tavoitelämpötilan. Lämpötila voidaan asettaa välillä 17°C-30°C/62°F-88°F.

- Paina FAN SPEED -painiketta valitaksesi tuulettimen nopeuden. Joissain malleissa tuulettimen nopeutta ei voi säätää lämmitys (HEAT) -toiminnon ollessa käytössä.

Kuiva(Dry) -toiminto

- Paina MODE-painiketta kunnes DRY-tilan ilmaisivalo syttyy.

- Tässä toimintatilassa ei voida valita tuulettimen nopeutta tai säätää lämpötilaa. Tuuletin toimii hitaalla (LOW) nopeudella.

- Pidä ikkunat ja ovet suljettuina parhaan kuivaustehon saavuttamiseksi.

- Älä aseta poistoputkea ikkunaan.

Automaattinen (AUTO) -toiminto

Kun ilmastointilaitte asetetaan AUTO-tilaan, se valitsee automaattisesti viilennys-, lämmitys- (ei malleissa, joissa vain viilennys) tai tuuletin -tilan asetetun tavoitelämpötilan ja vallitsevan huoneen lämpötilan mukaan.

- Ilmastointilaitte pyrkii pitämään huoneen lämpötilan asettamassasi lämpötilassa.

- AUTO-tilassa ei voida säätää tuulettimen nopeutta.

Tuulettimen (FAN) -toiminto

Paina MODE-painiketta kunnes FAN-tilan ilmaisivalo syttyy.

- Paina FAN SPEED -painiketta valitaksesi tuulettimen nopeuden. Lämpötilaa ei voida säätää

- Älä aseta poistoputkea ikkunaan.

Ajastin (TIMER) -toiminto

Kun ilmastointilaite on päällä, Timer-painikkeen painaminen aloittaa automaattisen sammuttamisen toiminnon. TIMER OFF – tilan merkkivalo syttyy. Paina + tai - -painikkeita valitaksesi halutun ajan. Jos TIMER- painiketta painetaan uudelleen 5 sekunnin sisällä, automaattisen käynnistyksen toiminto alkaa ja TIMER ON -tilan merkkivalo syttyy. Paina + tai - -painikkeita valitaksesi halutun automaattisen käynnistyksen ajan.

- Kun ilmastointilaite on pois päältä, Timer-painikkeen painaminen aloittaa automaattisen käynnistämisen toiminnon. Jos TIMER-painiketta painetaan uudelleen 5 sekunnin sisällä, automaattisen sammutuksen toiminto alkaa.

- Paina tai pidä pohjassa + tai - -painikkeita vaihtaaksesi asetettua aikaa 0.5 tuntiin askelin 10 tuntiin asti, sen jälkeen aika muuttuu 1 tuntiin askelin 24 tuntiin asti. Ajastin laskee aikaa alaspäin toiminnon alkamiseen.

- Jos viiden sekunnin aikana ei aseteta mitään toimintoa, näyttöön palautuu aiempi asetettu lämpötila.

-Laitteen käynnistäminen tai sammuttaminen tai ajastimen asettaminen 0.0 tuntiin kumoaa automaattisen sammutuksen ja käynnistämisen toiminnon.

- Jos ilmenee jokin virhetila (E1,E2,E3 tai E4) automaattisen sammutuksen ja käynnistämisen toiminto keskeytyy.

Unitila (SLEEP / ECO) -toiminto

Tätä painiketta painamalla lämpötila nousee (viilennystila) tai laskee (lämmitystila) 1°C/2°F verran 30 minuutin ajaksi. Lämpötila nousee (viilennystila) tai laskee (lämmitystila) lisää 1°C/2°F verran toisen 30 minuutin kuluttua. Tämä uusi lämpötila pidetään 7 tunnin ajan, jonka jälkeen se palautuu alkuperäiseen asetettuun lämpötilaan ja uni /eco -tila päättyy. Laite jatkaa toimintaa tämän jälkeen normaalin ohjelmoinnin mukaisesti.

HUOMAA: Tämä toiminto ei ole käytössä tuuletus (FAN) tai kuivaus (DRY) -tiloissa.

Muut ominaisuudet

Automaattinen uudelleenkäynnistys (jotkin mallit)

Jos ilmastointilaite sammuu yllättäen sähkökatkon vuoksi, se käynnistyy uudelleen automaattisesti edelliseen asetettuun toimintatilaan ja asetuksiin, kun virta palaa.

Odota 3 minuuttia ennen toiminnan jatkamista.

Kun laite on sammutettu, se ei käynnisty uudelleen kolmeen minuuttiin. Tämä suojaa laitetta. Toiminta jatkuu automaattisesti kolmen minuutin kuluttua.

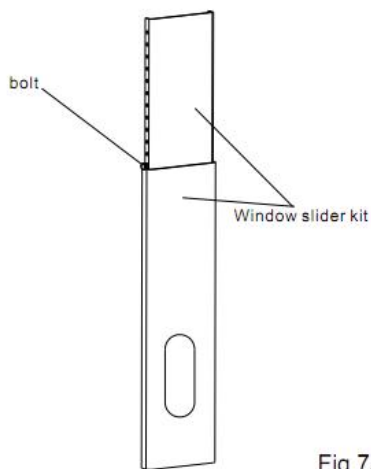
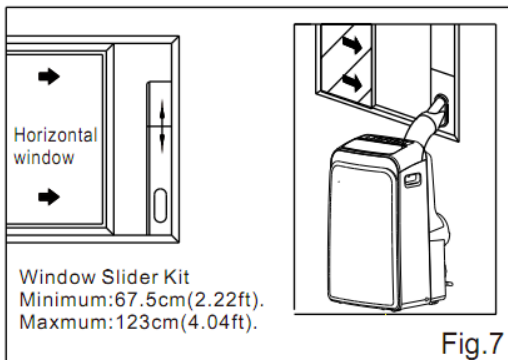
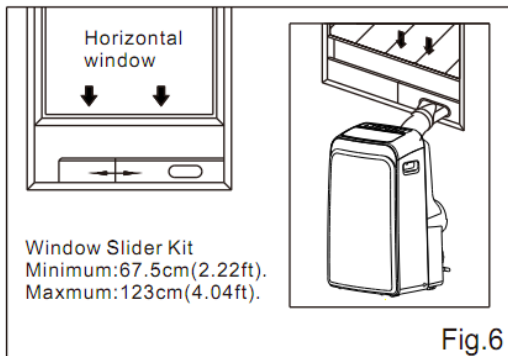
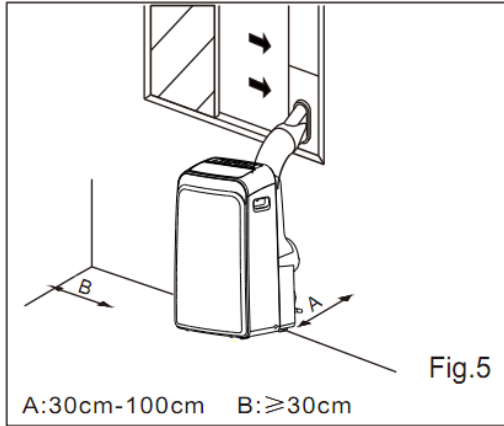
Ilman virtauksen suuntaaminen.

Ilmanohjaussiipiä voidaan säätää automaattisesti. Ilmavirran automaattinen suuntaaminen (kuva 4): Kun virta on päällä, kaihdin aukenee kokonaan. Paina SWING- painiketta ohjainpaneelissa tai kauko-ohjaimessa aloittaaksesi automaattisen kääntymisen toiminnon. ilmanohjaussiivet liikkuvat tällöin ylös ja alas automaattisesti. Älä säädä ilmanohjaussiipiä käsin.



Fig.4

ASENNUSOHJEET (valinnainen)



ASENNUSOHJEET

Sijainti

- Ilmastointilaitte tulee asettaa tukevalle pinnalle melun ja värinän minimoimiseksi. Turvallisuuden vuoksi, aseta laite tasaiselle vaakasuoralle tasolle, joka on riittävän vahva kannattamaan laitteen painon.
- Laitteessa on rullat liikuttamisen helpottamiseksi. Mutta sitä tulee rullata vain tasaisella pinnalla. Ole varovainen rullatessasi laitetta mattojen päällä.
- Älä yritä rullata laitetta esteiden, kuten kynnysten, yli.
- Laite tulee kytkeä oikein maadoitettuun pistorasiaan. Älä koskaan aseta mitään esinettä siten, että se tukkii laitteen ilman sisäänotto- tai ulostuloaukkoja.
- Jätä vähintään 30-100cm tilaa seinän ja laitteen väliin varmistaaksesi tehokkaan ilmastoinnin.

Ikkunaosan asentaminen

Ikkunaosa on suunniteltu sopimaan useimpiin tavanomaisiin pystysuoriin tai vaakasuoriin ikkunoihin. Voi kuitenkin olla, että sinun täytyy muokata osaa hieman, jotta se sopii ikkunaan. Katso kuvista 6 ja 7 ikkunan vähimmäis- ja enimmäisleveydet. Ikkunaosa voidaan kiinnittää pultilla (katso kuva 7a).

Huomaa: Jos ikkunan aukko on alle mainitun ikkunaosan pituuden, leikkaa osaa lyhyemmäksi, jotta se sopii ikkuna-aukkoon. Älä kuitenkaan koskaan leikkaa ikkunaosan aukkoa pois.

ASENNUSOHJEET (valinnainen)

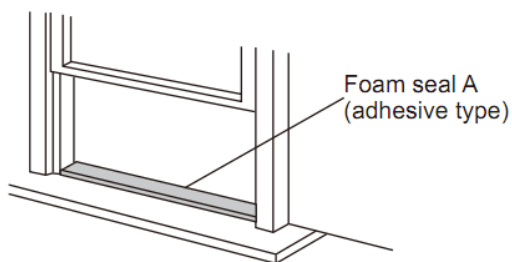


Fig.8

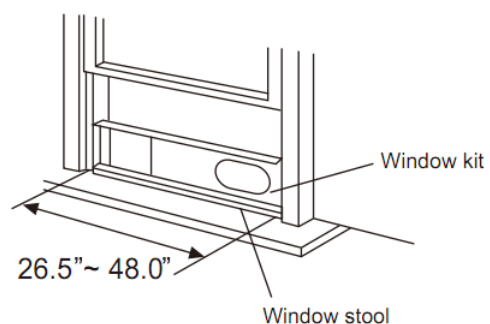


Fig.9

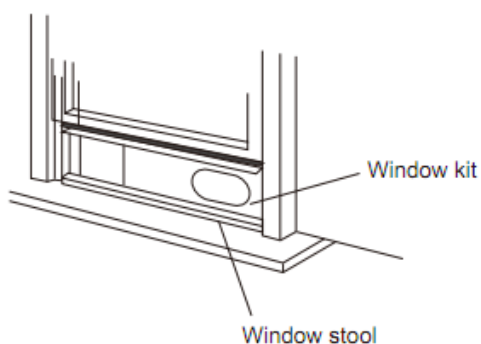


Fig.10

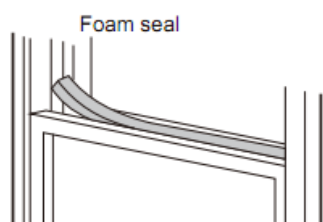


Fig.11

Kaksipaneeliseen ikkunaan asentaminen

1. Leikkaa vaahtoteriste (kiinnittyvä malli) sopivan pituiseksi ja kiinnitä se ikkunan puitteeseen. Katso kuva 8.

2. Kiinnitä ikkunaosa ikkunan puitteeseen. Säädä ikkunaosan pituus ikkunan leveyttä vastaavaksi. Lyhennä ikkunaosaa, jos ikkunan leveys on vähemmän kuin 26.5 tuumaa.

Avaa ikkunapaneeli ja aseta ikkunaosa ikkunan puitteeseen. Katso kuva 9.

3. Leikkaa vaahtoteriste (kiinnittyvä malli) sopivan pituiseksi ja kiinnitä se ikkunan yläosaan kuvan 10 mukaan.

4. Sulje ikkunapaneeli tukevasti.

5. Leikkaa vaahtoteriste (kiinnittyvä malli) sopivan pituiseksi ja sulje aukko ylemmän ikkunapaneelin ja ulomman ikkunapaneelin välissä kuvan 11 mukaan.

ASENNUSOHJEET (valinnainen)

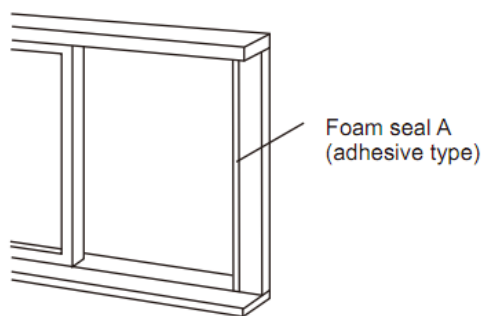


Fig.12

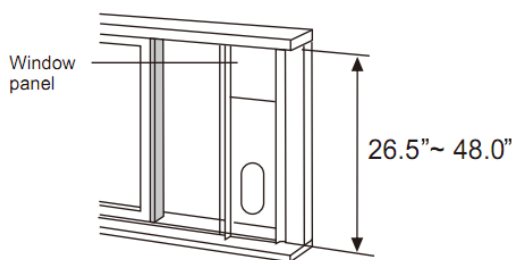


Fig.13

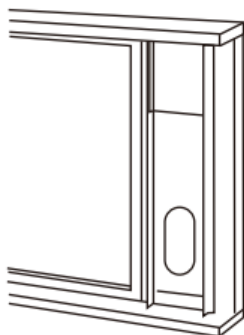


Fig.14

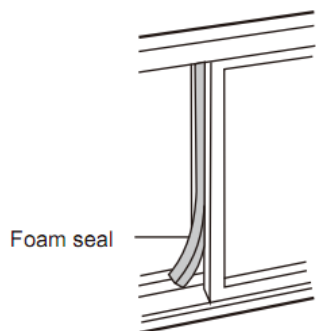


Fig.15

Asennus liukupaneeli-ikkunaan.

1. Leikkaa vaahtoeriste (kiinnittyvä malli) sopivan pituiseksi ja kiinnitä se ikkunan puitteeseen. Katso kuva 12.

2. Kiinnitä ikkunaosa ikkunan puitteeseen. Säädä ikkunaosan pituus ikkunan leveyttä vastaavaksi. Lyhennä ikkunaosaa, jos ikkunan leveys on vähemmän kuin 26.5 tuumaa.

Avaa ikkunapaneeli aseta ikkunaosa ikkunan puitteeseen. Katso kuva13.

3. Leikkaa vaahtoeriste (kiinnittyvä malli) sopivan pituiseksi ja kiinnitä se ikkunan yläosaan kuvan 14 mukaan.

4. Sulje ikkunapaneeli tiukasti kehystä vasten.

5. Leikkaa vaahtoeriste (kiinnittyvä malli) sopivan pituiseksi ja sulje aukko ylemmän ikkunapaneelin ja ulomman ikkunapaneelin välissä kuvan 15 mukaan.

HUOMAA: Kaikki kuvat ovat vain esimerkkejä selitystä varten. Laitteesi voi olla hieman erilainen. Laitteen muoto on kuitenkin sama.

ASENNUSOHJEET



Fig. 16a



Fig. 16b

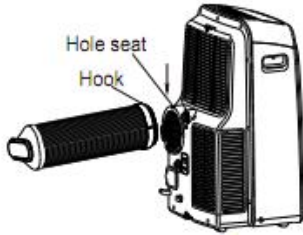


Fig. 17

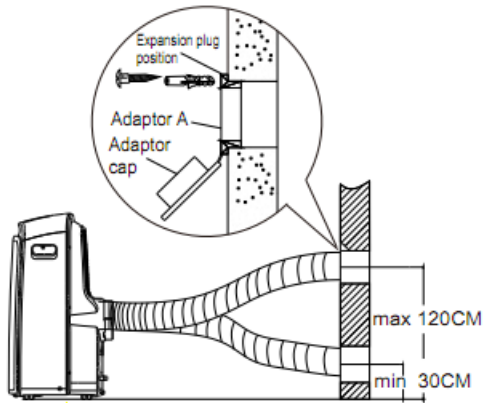


Fig. 18

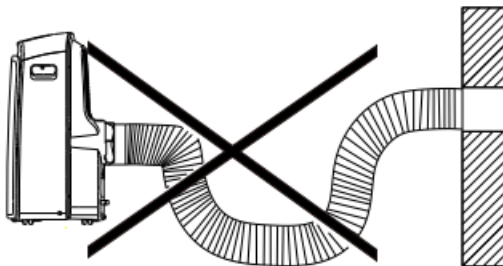


Fig. 19

Poistoletkun asentaminen:

Poistoletku ja sovitin täytyy asentaa tai poistaa käyttötavan mukaisesti.

Viilennys (COOL), lämmitys (HEAT) (lämpöpumpumalli), AUTO -tila	Asenna
Tuuletus (FAN), Kuivaus (DEHUMIDIFY) tai lämmitys (HEAT) (sähkölämmiteinen malli)	Poista

1. Asenna sovitimet B ja I poistoletkuun kuvan 16a tai 16b osoittamalla tavalla. Katso edellisiltä sivuilta ohjeet ikkunaosan asentamiseen.
2. Aseta poistoletkun koukku istukkaan ilmanpoistoaukkoon ja liu'uta poistoletku alas nuolen osoittamaan suuntaan. (Katso kuva 17.)

Poistoletku voidaan asentaa seinään

(ei päde malleihin, joissa ei ole mukana sovitin A:ta, jatkoplugia ja puuruuveja).

1. Tee seinään reikä. Asenna sovitin A seinään ulkopuolella neljän jatkoplugin ja puuruuvien avulla. Varmista, että kiinnitys on pitävä. (Katso kuva 18)
2. Kiinnitä poistoletku seinän poistosovittimeen A.

Huomaa: Peitä reikä sovitimen kannella, kun se ei ole käytössä.

Poistoletkua voi tiivistää tai venyttää hieman vaatimusten mukaan, mutta on suositeltavaa pitää letkun pituus minimissä.

TÄRKEÄÄ: ÄLÄ TAITA POISTOLETKUA LIIKAA (Katso kuva 19.)

VAROITUS:

Varmista, että poistoletkun ilman ulostuloaukon lähellä (noin 500mm) ei ole estettä, jotta poistojärjestelmä toimii oikein.

ASENNUSOHJEET

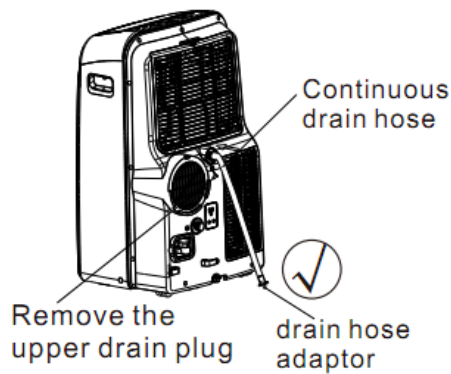


Fig.20a

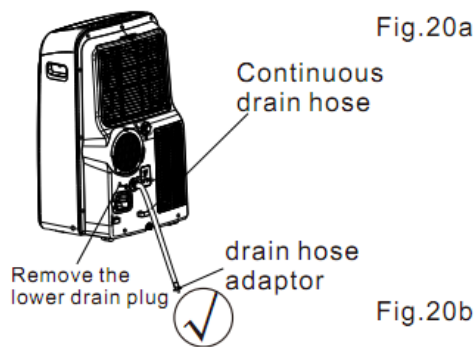


Fig.20b

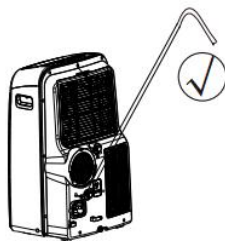


Fig.21a

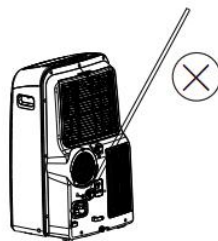


Fig.21b



Fig.22

Veden poisto

-Kuivaustilan tilan aikana, poista ylempi poistotulppa laitteen takaosasta ja liitä poistoliitin (5/8" yleinen naarasliitin mender) sekä 3/4" letku (itse hankittava). Malleissa, joissa ei ole poistoliitintä, liitä poistoletku suoraan aukkoon. Aseta poistoliittimen avoin pää suoraan vedenpoistoalueen päälle. Katso kuva 20a.

-Lämpöpumpputilassa, poista alempi poistotulppa laitteen takaosasta ja liitä poistoliitin (5/8" yleinen naarasliitinlevy sekä 3/4" letku (itse hankittava). Malleissa, joissa ei ole poistoliitintä, liitä poistoletku suoraan aukkoon. Aseta poistoliittimen avoin pää suoraan vedenpoistoalueen päälle. Katso kuva 20b.

HUOMAA: Varmista, että letku on tiukasti paikoillaan, jotta ei tule vuotoja. Suuntaa letku suoraan viemäriin ja varmista, että letkussa ei ole taitoksia, jotka estävät veden virtauksen. Aseta letkun suu viemäriin ja varmista, että letkun suu osoittaa alaspäin, jotta vesi virtaa vapaasti. (Katso kuvat 20a,20b,21a). Älä aseta sitä osoittamaan ylöspäin (katso kuva 21b).

-Kun vesi nousee vedenpoistosäiliössä riittävän korkealle tasolle, laite piippaa 8 kertaa ja näytössä näkyy "P1". Tällöin ilmastointi ja kuivaustila loppuu välittömästi. Tuulettimen moottori jatkaa toimimista, tämä on normaalia. Siirrä laite varovaisesti paikkaan, jossa vesi voidaan poistaa. Avaa alaosan poistotulppa ja anna veden valua pois (kuva 22). Aseta pohjan poistotulppa takaisin paikalleen ja käynnistä laite uudelleen. "P1" merkki häviää näytöltä. Jos merkki ei poistu, vaikka säiliö on tyhjä, ota yhteys huoltoon.

HUOMAA: Varmista, että pohjan poistotulppa on paikallaan ennen laitteen käyttämistä.

HUOLTO JA PUHDISTUS

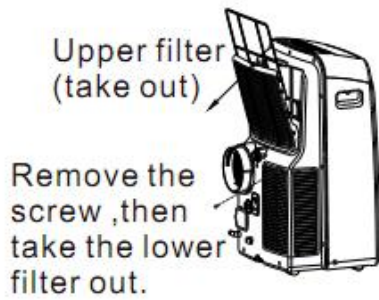


Fig.23

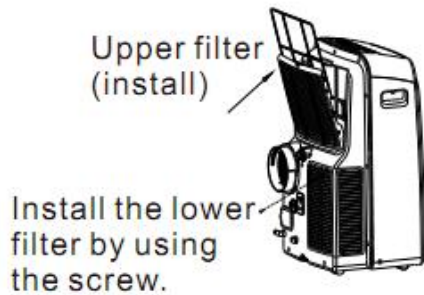


Fig.24

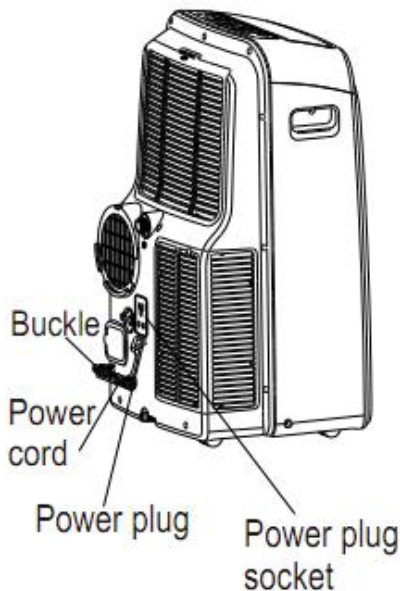


Fig.25

HUOLTO JA PUHDISTUS

TÄRKEÄÄ

- 1) Varmista, että virtajohto on irrotettu ennen puhdistusta ja huoltoa.
- 2) Älä käytä bensiiniä, tinneriä tai muita kemikaaleja laitteen puhdistukseen.
- 3) Älä pese laitetta suoraan hanan alla tai letkun avulla. Se voi aiheuttaa sähköiskun vaaran.
- 4) Jos virtajohto on vahingoittunut, se tulee korjauttaa valmistajalla tai valtuutetulla huollolla.

1. Ilmansuodatin

- Puhdista ilmansuodatin aina kahden viikon välein, jotta tuulettimen sisään ei kerry pölyä.

- Poisto

Tässä laitteessa on kaksi ilmansuodatinta. Ota ylempi suodatin ulos nuolen osoittamaan suuntaan (kuva 23), siirrä suodatin syrjään. Irrota alempi suodatin löysäämällä ruuvi ja ottamalla suodatin ulos kuvan 23 osoittamalla tavalla.

- Puhdistus

Pese ilmansuodatin upottamalla se lämpimään veteen (noin 40°C/104°F), jossa on neutraalia puhdistusainetta. Huuhtelee suodatin ja aseta se kuivumaan varjoisaan paikkaan.

- Kiinnittäminen

Aseta ylempi ilmansuodatin paikalleen puhdistuksen jälkeen. Kiinnitä alempi suodatin ruuvilla (katso kuva 24).

2. Laitteen kotelo

- Käytä nukkaamatonta liinaa ja neutraalia puhdistusainetta kotelon puhdistamiseen. Viimeistelee kuivalla ja puhtaalla liinalla.

3. Laitteen ollessa pois käytöstä pitkän aikaa

- Poista kumitulppa laitteen takaosasta ja liitä poistoletku poistoaukkoon. Aseta poistoletkun avoin suu veden poistoalueen ylle (katso kuvat 20 & 21).

- Poista tulppa vedenpoistoaukosta ja anna veden valua pois (katso kuva 22).

- Anna laitteen käydä tuuletus (FAN) tilassa puolen päivän ajan lämpimässä huoneessa, jotta laite kuivuu, eikä laitteen sisälle synny homeita.

- Sammuta ilmastointilaitte ja ota virtajohto pois. Kerää johto kasaan ja teippaa se kiinni (kuva25). Poista paristot kauko-ohjaimesta.

- Puhdista ilmansuodatin ja aseta se uudelleen paikalleen.

ONGELMANRATKAISUOHJEET

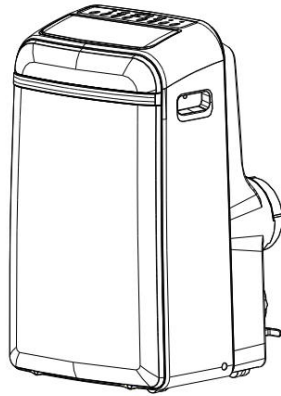
ONGELMANRATKAISU

ONGELMA	MAHDOLLISET SYYT	RATKAISUOHJE
1. Laite ei käynnisty painamalla on/off -painiketta	- Näytössä näkyy "P1"	Poista vesi vesisäiliöstä
	- Huoneen lämpötila on alempi kuin asetettu lämpötila. (viilennystila)	Aseta toivottu lämpötila uudelleen.
2. Tila ei ole riittävän viileä	- Ikkunat tai ovet eivät ole suljettu.	Varmista, että kaikki ikkunat ja ovet ovat kiinni.
	- Huoneessa on muita lämmönlähteitä.	Poista lämmönlähteet, mikäli mahdollista.
	- Ilmanpoistoputki ei ole liitetty tai se on tukossa.	Liitä poistoputki ja varmista, että se toimii oikein.
	- Lämpötila on asetettu liian korkeaksi.	Alenna lämpötilaa.
	- Ilmansuodatin on pölyn tukkima.	Puhdista suodatin.
3. Melu tai värinä	- Pinta ei ole riittävän tasainen ja suora	Aseta laite tasaiselle ja suoralle pinnalle.
4. Kurlaava ääni	- Ääni syntyy, kun jäähdytysneste kiertää ilmastointilaitteen sisällä.	Tämä on normaalia.
5. Virta katkeaa lämmitystilassa.	- Automaattinen virrankatkaisutoiminto sammuttaa laitteen, jos lämpötila ilman ulostuloaukolla ylittää 70°C/158°F	Käynnistä laite uudelleen, kun se on viilennyt.

Muotoilua tai kokoonpanoa voidaan muuttaa ilman aiempaa huomautusta tuotteen parantamiseksi. Kysy myyjältä tai valmistajalta lisätietoja.

Portabel Luftkonditionerare (lokala luftkonditionerare)

Bruksanvisning



Inuti i bruksanvisningen hittar du många bra tips om hur du använder och underhåller din luftkonditionerare på rätt sätt. Lite förebyggande skötsel från din sida kan spara dig en hel del tid och pengar då din luftkonditionerare får en längre livslängd. Innan du använder denna produkt, läs instruktionerna noggrant och spara denna bruksanvisning för framtida bruk.

Läs instruktionerna

Inuti i bruksanvisningen hittar du många bra tips om hur du använder och underhåller din luftkonditionerare på rätt sätt. Lite förebyggande skötsel från din sida kan spara dig en hel del tid och pengar då din luftkonditionerare får en längre livslängd. Du hittar många svar på vanliga problem under diagrammet för felsökningstips. Om du först granskar vårt diagram över felsökningstips, kanske du inte alls behöver ringa efter service.

Försiktighet!

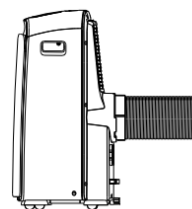
- Denna apparat kan användas av barn från 8 år och uppåt och av personer med nedsatt fysisk, sensorisk eller mental förmåga eller brist på erfarenhet och kunskap, om de har getts handledning eller fått instruktioner angående användningen av apparaten på ett säkert sätt och förstår vilka risker det innebär. Barn skall inte leka med apparaten. Rengöring och användarunderhåll skall inte utföras av barn utan tillsyn. (Är tillämpligt för de europeiska länderna).
- Denna apparat är inte avsedd att användas av personer (inklusive barn) med nedsatt fysisk, sensorisk eller mental förmåga, eller brist på erfarenhet och kunskap, såvida de inte getts handledning eller fått instruktioner angående användningen av apparaten utav en person som ansvarar för deras säkerhet. (Är tillämpligt för andra länder utom för de europeiska länderna)
- Barn bör övervakas för att säkerställa att de inte leker med apparaten.
- Om den medföljande sladden är skadad måste den bytas ut av tillverkaren, dess servicepersonal eller liknande kvalificerade personer för att undvika fara.
- Apparaten skall installeras i enlighet med nationella bestämmelser för kabeldragning.
- Använd inte din luftkonditionerare i ett våtrum såsom ett badrum eller en tvättstuga.
- Apparaten med elektrisk värmare skall ha åtminstone 1 meters mellanrum till brännbara material.
- Kontakta en behörig servicetekniker för reparation eller underhåll av denna apparat.
- Kontakta en behörig installatör för installation av denna apparat.

Sisältö

Social anmärkning	
Social anmärkning	2
Säkerhetsåtgärder	
Säkerhetsregler.....	3
Driftstillstånd.....	3
Elektrisk information.....	4
Identifiering av delar	
Tillbehör.....	4
Delarnas namn.....	5
Luftkonditionerarens funktioner	
Driftinstruktioner för elektronisk styrning.....	6
Driftinstruktioner	
Driftinstruktioner.....	7
Installationsinstruktioner	
Plats.....	9
Installation av fönstersats.....	9
Installation av ventilationsslang.....	12
Vattendränering.....	13
Skötsel och underhåll	
Skötsel och underhåll.....	14
Felsökningstips	
Felsökning.....	15

OBS

Märkdatan som anges på energietiketten är baserad på testskicket vid installationen av den icke-förlängda frånluftskanalen utan adaptrarna A och B (kanalen och adaptrarna A och B är listade i bruksanvisningen under diagrammet för tillbehör).



Social anmärkning

När du använder denna luftkonditionerare i de europeiska länderna, måste följande information följas:

Avfallshantering: Kasta inte den här produkten som osorterat kommunalt avfall. Att samla in sådant avfall separat för särskild behandling är nödvändigt.

Det är förbjudet att kasta denna apparat i det inhemska hushållsavfallet.

För avfallshantering, finns det flera möjligheter:

- A) Kommunen har upprättat insamlingsssystem, där elektroniskt avfall kan kastas avgiftsfritt åtminstone för användaren.
- B) När du köper en ny produkt, kommer återförsäljaren att ta tillbaka den gamla produkten avgiftsfritt.
- C) Tillverkaren tar tillbaka den gamla apparaten för avfallshantering, åtminstone avgiftsfritt för användaren.
- D) Eftersom gamla produkter innehåller värdefulla resurser, kan de säljas till återförsäljare av metallskrot.

Vilt bortskaffande av avfall i skog och landskap äventyras din hälsa när farliga ämnen läcker ut i grundvattnet och hittar sin väg in i näringskedjan.



FÖRSIKTIGHET:

- Denna apparat är inte avsedd att användas av personer (inklusive barn) med nedsatt fysisk, sensorisk eller mental förmåga, eller brist på erfarenhet och kunskap, såvida de inte getts handledning eller är instruerade om användningen av apparaten utav en person som ansvarar för deras säkerhet.
- Barn bör övervakas för att säkerställa att de inte leker med apparaten.

SÄKERHETSFÖRESKRIFTER

Säkerhetsregler

För att förhindra skada på användaren eller andra människor och egendomsskada, måste följande instruktioner följas. Felaktig användning på grund av att instruktionerna ignoreras kan leda till skada.

Gör alltid detta

- Din luftkonditionerare bör användas på ett sett som gör att den är skyddad från fukt. t.ex. kondensation, vattenstänk, etc. Placera eller förvara inte din luftkonditionerare där den kan falla eller hamna i vatten eller annan vätska. Koppla omedelbart ur apparaten.
- Transportera alltid din luftkonditionerare i vertikalt läge och ståendes på en stabil, jämn yta under användning.
- Stäng av apparaten när den inte används.
- Kontakta alltid en kvalificerad person vid utföring av reparationer. Om den medföljande sladden är skadad måste den repareras av en kvalificerad reparatör.
- Behåll ett luftutrymme på minst 30 cm hela vägen runt apparaten från väggar, möbler och gardiner.
- Om luftkonditioneraren råkar vältras under användning, stäng av apparaten och koppla omedelbart ur den från elnätet.

Gör aldrig detta

- Använd inte din luftkonditionerare i ett våtrum såsom ett badrum eller en tvättstuga.
- Vidrör inte apparaten med våta eller fuktiga händer eller när du är barfota.
- Tryck inte på knapparna på kontrollpanelen med något annat än dina fingrar.
- Ta inte bort några fasta skydd. Använd aldrig denna apparat om den inte fungerar som den ska, eller om den har tappats eller skadats.
- Använd aldrig kontakten för att starta och stoppa apparaten.
- Använd alltid kontrollpanelens strömbrytare.
- Täck inte över eller blockera luftintaget eller luftutsläppet.
- Använd inte farliga kemikalier för att rengöra apparaten. Använd inte apparaten i närheten av brandfarliga ämnen eller ångor som t.ex. alkohol, insektsmedel, bensin etc.
- Låt inte barn använda apparaten utan uppsikt.
- Använd inte denna produkt för andra ändamål än de som beskrivs i denna bruksanvisning.

Energispar

- Använd apparaten i rekommenderad rumsstorlek.
- Placera apparaten där möbler inte kan blockera luftflödet.
- Låt persienner/gardiner vara för under den soligaste delen av dagen.
- Håll filtren rena.
- Håll dörrar och fönster stängda för att kall luft ska komma in och varm luft ska komma ut.

Driftstillstånd

Luftkonditioneraren måste köras inom temperaturområdet som anges nedan.

Mode (Läge)	Rumstemperatur
Cool (Kyla)	17 °C (62 °F) ~ 35 °C (95 °F)
Dry (Torrt)	13 °C (55 °F) ~ 35 °C (95 °F)
Heat (Värme) (värmepumpsmodell)	5 °C (41 °F) ~ 30 °C (88 °F)
Heat (Värme) (elektrisk värmemodell)	<30 °C/88 °F

Föreslagna verktyg för installation av fönstersats:

1. Skruvmejsel (medelstor Phillips)
2. Måttband eller linjal
3. Kniv eller sax
4. Såg (i händelse av att fönstersatsen måste sågas ned i storlek eftersom fönstret är för smalt för direktinstallation).

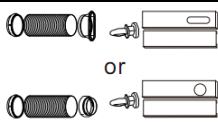




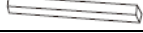


Varning för er säkerhet

- Förvara eller använd inte bensin eller andra brandfarliga ångor och vätskor i närheten av denna eller någon annan apparat.
- Undvik brandfara eller elektriska stötar. Använd inte en förlängningsladd eller en adapterkontakt. Ta inte loss något stift från strömsladden.

Varning Elektrisk information

- Säkerställ att den elektriska informationen är lämplig för modellen som du valt. Denna information kan hittas på serienummerplåten, vilken sitter på sidan av apparaten och bakom luftgallret.
- Se till att luftkonditioneraren är ordentligt jordad. För att minimera stötar och brandfaror är korrekt jordning viktig. Strömsladden är utrustad med en jordad 3-stiftskontakt för skydd mot stötrisker.
- Din luftkonditionerare måste användas i ett ordentligt jordat vägguttag. Om vägguttaget du tänker använda inte är tillräckligt jordat eller skyddas av en tidsfördröjningssäkring eller strömbrytare, låt en behörig elektriker installera korrekt eluttag.
- Se till att eluttaget är åtkomligt efter enhetsinstallationen.

Tillbehör

Delar	Delarnas namn	Mängd
 or 	Ventilations slang och adapterna A och B (platt öppning eller rund öppning: beroende på modell) Skjutreglagesats samt bult för fönster	1 uppsättning
	Ventilationsadapter A för vägg (*)	1 st
	Adapter B (rund öppning) (*)	1 st
	Expansionskontakt och träskruv (*)	4 st
	Skumtätning	3 st
	Fjärrkontroll och batteri (endast för fjärrkontrollsmodeller)	1 st
	Dräneringsslang och dräneringsslang för adapter (*)	1 st

OBS: Valfri del (*), finns inte för vissa modeller.

Kontrollera att alla tillbehör är inkluderade i förpackningen och se installationsinstruktionerna för användningen av dessa.

OBS: Kontrollera att alla tillbehör är inkluderade i förpackningen och se installationsinstruktionerna för användningen av dessa.

Identifiering av delar

Delarnas namn



Fig.1

Framsida

- 1 manöverpanel
- 2 luftintagets horisontella blad (svänger automatiskt)
- 3 styrhjul
- 4 bärhandtag (på båda sidor)

Baksida

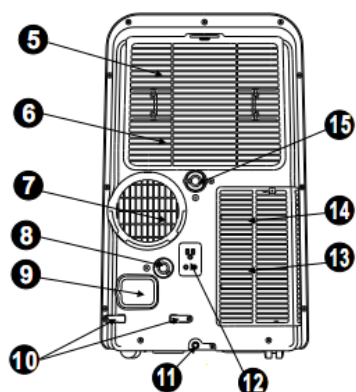


Fig.2

- 5 övre luftfilter (bakom luftgallret)
- 6 övre luftintag
- 7 luftutsläpp
- 8 dräneringsutlopp (endast för värmepumpsmodell)
- 9 strömsladdens uttag
- 10 strömsladdens spänne (används endast när enheten förvaras)
- 11 bottenrätgets dräneringsutlopp
- 12 stickkontaktens uttag (används endast när enheten förvaras)
- 13 nedre luftfilter (bakom luftgallret)
- 14 nedre luftintag
- 15 dräneringsutlopp

LUFTKONDITIONERARENS FUNKTIONER

DRIFTINSTRUKTIONER FÖR ELEKTRONISK STYRNING

Innan du börjar, bekanta dig grundligt med kontrollpanelen och fjärrkontrollen och alla dess funktioner, lär dig sedan symbolerna för de funktioner du önskar använda.

Apparaten kan styras enbart genom apparatens kontrollpanel eller med dess fjärrkontroll.

OBS: Denna bruksanvisning omfattar inte drift av fjärrkontrollen, se <<Instruktioner för fjärrkontroll>> som är förpackad med apparaten för detaljer.

Luftkonditionerarens manöverpanel

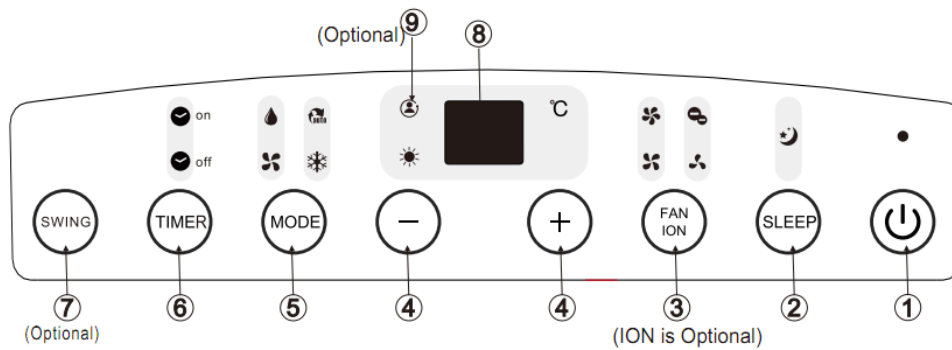


Fig.3

OBS: På en del modeller finns det en SLEEP-knapp istället för en ECO-knapp.

1 POWER-knappen PÅ/AV-strömbrytare

2 SLEEP/ECO-knappen, används för att initiera SLEEP/ECO-drift

3 FAN/ION-knappen (ION är ett tillval)

Styr fläkthastigheten. Tryck för att välja mellan fyra olika fläkthastigheter - AUTO (automatisk), LOW (låg), MED (medium) eller HIGH (hög). Indikatorn för fläkthastigheten tänds under olika fläkthastigheter förutom vid automatisk hastighet. När du väljer fläkthastigheten AUTO, släcks alla indikatorljus.

OBS: Håll ner den här knappen i 3 sekunder för att initiera JON-funktionen. Jongeneratoren strömsätts vilket bidrar till att pollen och föroreningar avlägsnas från luften, och istället hamnar i filtret. Håll ner den i 3 sekunder igen för att stoppa JON-funktionen.

4 PLUS- (+) och MINUS- (-) knappen

Används för att justera (öka/minska) temperaturinställningen med ((1 °C/2 F-ökning) inom ett område från 17 °C(62 F) till 30 °C(88 F) eller för TIMER-inställningen inom ett område från 0 ~ 24 timmar. **OBS:** Kontrollen kan visa temperaturen i graderna Fahrenheit eller Celsius. För att konvertera från det ena till det andra, tryck och håll ner UPP- och NER-knapparna samtidigt i 3 sekunder.

5 MODE-knappen

Väljer lämpligt driftläge. Varje gång du trycker på knappen, väljs ett läge i följande sekvens AUTO, COOL, DRY, FAN och HEAT (endast kylningsmodeller är utan). MODE-indikatorljuset tänds under olika de lägesinställningarna.

6 TIMER-knappen

Används för att initiera programmet för AUTOMATISK starttid och AUTOMATISK stopptid, tillsammans med + och - knapparna. Indikatorn för TIMER ON/OFF tänds under inställningarna för TIMER ON/OFF.

7 SWING-knappen

(Endast tillämpligt för modeller med automatisk SVÄNG-funktion) Används för att initiera funktionen automatisk svängning. När driften är igång, tryck på SWING-knappen för att stoppa luftintaget i önskad vinkel.

8 LED-display

Visar den inställda temperaturen i °C eller °F och de automatiska timerinställningarna. När den står på DRY- och FAN-lägena, visar den rumstemperaturen.

DRIFTINSTRUKTIONER

Felkoder och skyddskoder:

E1 - Temperatursensorfel för rum - Koppla från apparaten och anslut den igen. Om felet upprepas, ring efter service.

E2 - Temperatursensorfel för förångare - Koppla från apparaten och anslut den igen. Om felet upprepas, ring efter service.

E3 - Temperatursensorfel för kondensor - Koppla från apparaten och anslut den igen. Om felet upprepas, ring efter service (på vissa modeller).

E4 - Fel på displaypanel och kommunikation - Koppla från apparaten och anslut den igen. Om felet upprepas, ring efter service.

P1 - Bottentråget är fullt - Anslut dräneringsslangen och dränera det uppsamlade vattnet. Om felet upprepas, ring efter service.

9 FÖLJ MIG/TEMPERATURAVKÄNNINGS

-funktion

OBS: Denna funktion kan ENDAST aktiveras från fjärrkontrollen. Fjärrkontrollen fungerar som en fjärrstyrd termostat vilken möjliggör exakt temperaturkontroll på dess plats. För att aktivera FÖLJ MIG/TEMPERATURAVKÄNNINGS-funktionen, rikta fjärrkontrollen mot apparaten och tryck på FOLLOW ME/TEMP SENSING-knappen. Fjärrdisplayens faktiska temperatur på platsen. Fjärrkontrollen sänder denna signal till luftkonditioneraren med 3 minuters intervall tills du trycker på FOLLOW ME/TEMP SENSING-knappen igen. Om enheten inte mottar FOLLOW ME/TEMP SENSING- avkänningssignalen under varje 7 minuters intervall, piper den för att indikera att FOLLOW ME/TEMP SENSING-läget har upphört.

Driftinstruktioner

Kall drift (COOL)

- Tryck på "MODE"-knappen tills "COOL"-indikatorljuset tänds.
- Tryck på ADJUST"-knapparna "+" eller "-" för att välja önskad rumstemperatur. Temperaturen kan ställas in inom ett område från 17 °C-30 °C/62 °F-88 °F.
- Tryck på "FAN SPEED"-knappen för att välja fläkthastighet.

VÄRME-drift (endast kylningsmodeller är utan)

- Tryck på "MODE"-knappen tills indikatorljuset för "HEAT" tänds.
- Tryck på ADJUST"-knapparna "+" eller "-" för att välja önskad rumstemperatur. Temperaturen kan ställas in inom ett område från 17 °C-30 °C/62 °F-88 °F.
- Tryck på "FAN SPEED"-knappen för att välja fläkthastighet. För vissa modeller kan fläkthastigheten inte justeras under läget HEAT.

Torka(Dry)- drift

- Tryck på "MODE"-knappen tills indikatorljuset för "DRY" tänds.
- Under det här läget kan du inte välja fläkthastighet eller justera temperaturen. Fläktmotorn arbetar vid LÅG hastighet.
- Håll fönster och dörrar stängda för bästa avfuktningseffekt.
- Placera inte kanalen mot fönstret.

Automatisk drift

- När du ställer in luftkonditioneraren på AUTO-läge, väljer den automatiskt kylning, uppvärmning (endast kylningsmodeller är utan), eller endast fläktdrift beroende på vilken temperatur du har valt och rumstemperaturen.
- Luftkonditioneraren kommer automatiskt att kontrollera rumstemperaturen omkring temperaturpunkten som du valt.
 - Under AUTO-läget, kan du inte välja fläkthastighet.

FLÄKT-drift

- Tryck på "MODE"-knappen tills indikatorljuset för "FAN" tänds.
- Tryck på "FAN SPEED"-knappen för att välja fläkthastighet. Temperaturen kan inte justeras.
- Placera inte kanalen mot fönstret.

TIMER-drift

När apparaten är påslagen, tryck på TIMER-knappen för initiera automatiskt avstängningsprogram, TIMER OFF-indikatorljuset tänds. Tryck på UPP- eller NER-knappen för att välja önskad tid. Tryck på TIMER-knappen igen inom 5 sekunder, programmet för automatisk avstängningstid initieras. Och TIMERS ON-indikatorljus tänds. Tryck på UPP- eller NER-knappen för att välja önskad automatisk starttid.

- När apparaten är avstängd trycker du på TIMER-knappen för att initiera programmet för automatisk start, tryck på den igen inom fem sekunder för att initiera programmet för automatisk avstängning.

- Tryck eller håll ner UPP- eller NER-knappen för att ändra den automatiska tiden i steg om 30 minuter, upp till 10 timmar och därefter i steg om 1 timme upp till 24 timmar. Kontrollen kommer att räkna ner den tid som återstår tills start.

- Systemet kommer automatiskt att återgå till att visa föregående temperaturinställning om inget val görs inom en fem sekundersperiod. Att slå PÅ och AV apparaten när som helst eller att justera timern till 0.0 kommer att avbryta programmet för automatisk start/avstängning.

- När någon av felfunktionerna (E1, E2, E3 eller E4) inträffar, kommer även det tidsinställda programmet för automatisk start/avstängning att avbrytas.

SLEEP/ECO-drift

Tryck på knappen för att den valda temperaturen ska öka (kylning) eller minska (uppvärmning) med 1 °C/2 °F efter 30 minuter. Temperaturen kommer då att öka (kylning) eller minska (uppvärmning) med ytterligare 1 °C/2 °F efter ytterligare 30 minuter. Denna nya temperatur kommer att bibehållas under 7 timmar innan den återgår till den ursprungligen valda temperaturen. Detta avslutar SLEEP/ECO-läget och apparaten kommer att fortsätta att fungera såsom den ursprungligen programmerats.

OBS: Denna funktion är inte tillgänglig under FAN- eller DRY-läge.

Övriga funktioner

Automatisk omstart (på vissa modeller)

Om apparaten oväntat stannar på grund av ett strömavbrott, kommer den automatiskt att starta om med den tidigare funktionsinställningen när strömmen kommer tillbaka.

Vänta 3 minuter innan du återupptar drift.

Efter att apparaten har stannat, kan den inte startas om under de första 3 minuterna. Detta är för att skydda apparaten. Drift startar automatiskt efter 3 minuter.

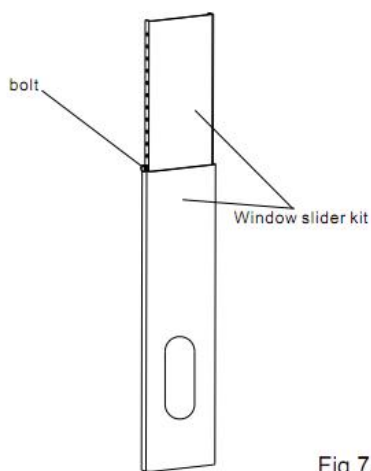
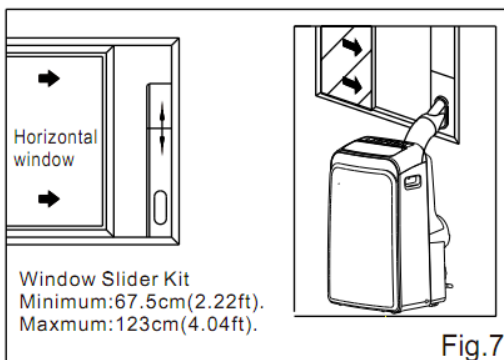
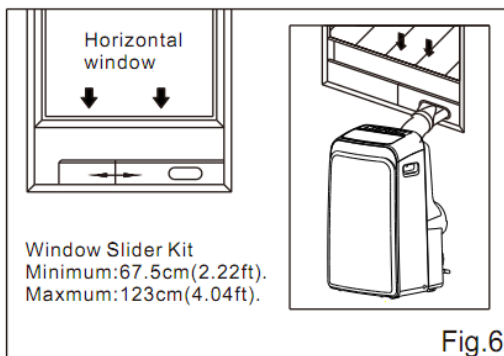
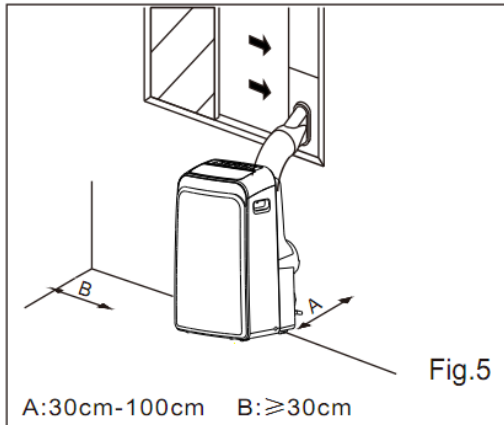
Justering av luftflöde

Luftintaget kan justeras automatiskt. Justera luftflödet automatiskt (figur 4): När strömmen är på, öppnas luftintaget fullständigt. Tryck på knappen SWING på panelen eller fjärrkontrollen för att initiera funktionen automatisk svängning. Luftintaget kommer att svänga upp och ner automatiskt. Justera inte luftintaget manuellt.



Fig.4

INSTALLATIONSINSTRUKTIONER (tillval)



INSTALLATIONSINSTRUKTIONER

Plats

- Luftkonditioneraren bör placeras på en fast grund för att minimera buller och vibrationer. För säker och trygg placering, placera apparaten på ett jämnt, plant golv som är starkt nog för att stödja apparaten.
- Apparaten har styrhjul för att underlätta placeringen, bör endast rullas på jämna, plana ytor. Var försiktig när du rullar på mattor. Försök inte att rulla apparaten över föremål.
- Apparaten måste placeras inom räckhåll från ett ordentligt jordat uttag.
- Placera aldrig något hinder kring luftintaget eller apparatens luftutsläpp.
- Tillåt 30 cm till 100 cm utrymme från väggen för effektiv luftkonditionering.

Installation av fönstrets skjutreglagesats

Ditt fönsters skjutreglagesats har utformats för att passa de flesta vanliga "vertikala" och "horisontella" fönstertillämpningar, det kan dock vara nödvändigt för dig att förbättra/modifiera vissa aspekter av installationsproceduren för vissa typer av fönster. Se figur 6 och 7 för minimala och maximala fönsteröppningar. Fönstrets skjutreglagesats kan fästas med en bult (se figur 7).

OBS: Om fönsteröppningen är mindre än den nämnda minimilängden för fönstrets skjutreglagesats, skär ut ett hål i den så att den passar fönsteröppningen. Skär aldrig ut hålet i fönstrets skjutreglagesats.

INSTALLATIONSINSTRUKTIONER (tillval)

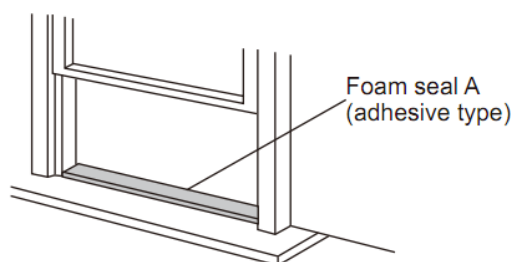


Fig.8

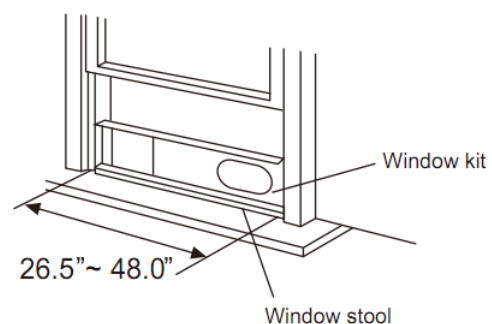


Fig.9

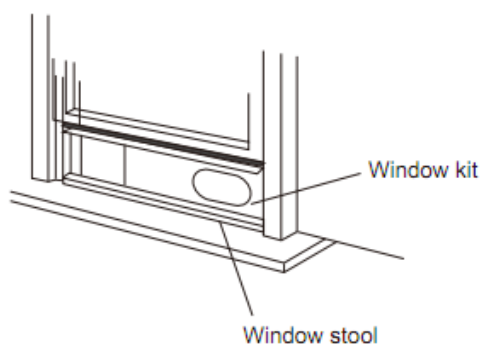


Fig.10

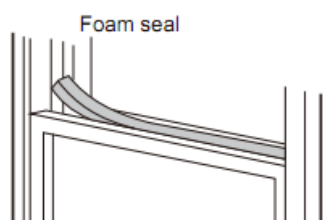


Fig.11

Installation i en dubbelhängd fönsterbåge

1. Skär skumtätningen (självhäftande typ) till lämplig längd och fäst den på fönsterpallen. Figur 8.
2. Fäst fönstrets skjutreglagesats till fönsterpallen. Justera längden för fönstrets skjutreglagesats enligt fönstrets bredd. Förkorta den justerbara fönstersatsen om fönstrets bredd är mindre än 26,5 tum. Öppna fönsterbågen och placera fönstrets skjutreglagesats på fönsterpallen. Figur 9.
3. Skär skumtätningen (självhäftande typ) till lämplig längd och fäst den på den övre delen av fönstret. Såsom visas i figur 10.
4. Stäng fönsterbågen säkert mot fönstret.
5. Skär skumtätningen till lämplig längd och täta de öppna gapen mellan den övre fönsterbågen och yttre fönsterbågen. Såsom visas i figur 11.

INSTALLATIONSINSTRUKTIONER (tillval)

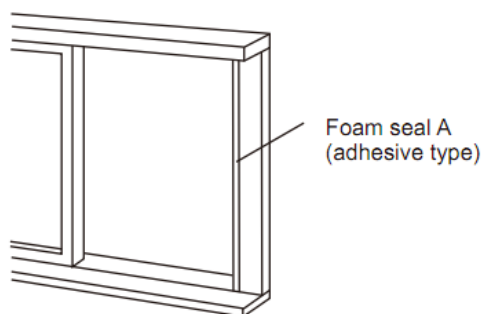


Fig.12

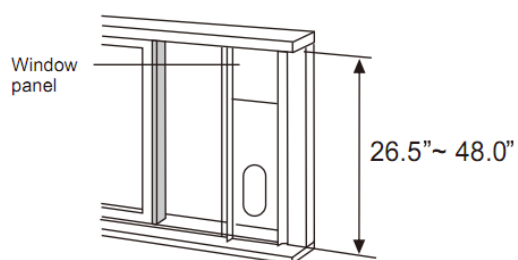


Fig.13

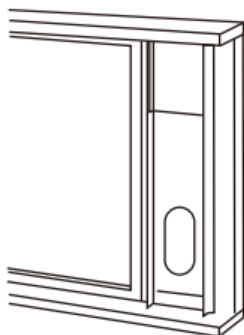


Fig.14

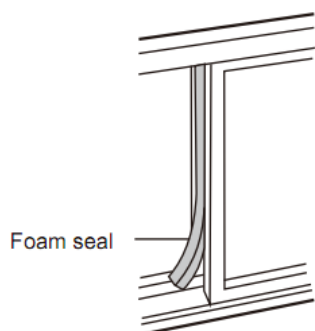


Fig.15

Installation i en glidande fönsterbåge

1. Skär skumtätningen (självhäftande typ) till lämplig längd och fäst den på fönsterramen. Se figur 12.

2. Fäst fönstrets skjutreglagesats till fönsterpallen. Justera längden för fönstrets skjutreglagesats enligt fönstrets bredd. Förkorta den justerbara fönstersatsen om fönstrets bredd är mindre än 26,5 tum.

Öppna fönsterbågen och placera fönstrets skjutreglagesats på fönsterpallen. Se figur 13.

3. Skär skumtätningen (självhäftande typ) till lämplig längd och fäst den på den övre delen av fönstret. Såsom visas i figur 14.

4. Stäng den glidande fönsterbågen säkert mot fönstret.

5. Skär skumtätningen till lämplig längd och täta det öppna gapet mellan den övre fönsterbågen och den yttre fönsterbågen. Såsom visas i figur 15.

OBS: Alla illustrationer i denna bruksanvisning är endast för förklaringsändamål. Din apparat kan vara något annorlunda. Den faktiska utformningen råder.

INSTALLATIONSINSTRUKTIONER



Fig. 16a

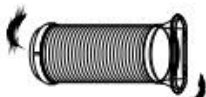


Fig. 16b

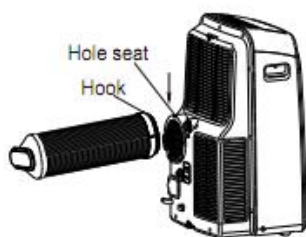


Fig. 17

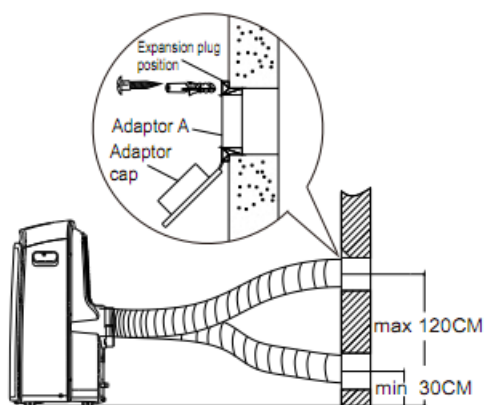


Fig. 18

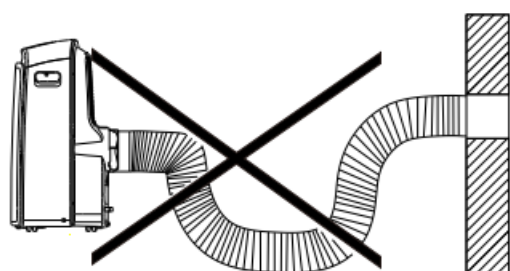


Fig. 19

Installation av ventilations slang:

Ventilations slangen och adaptern måste installeras eller tas bort i enlighet med användningsläget.

COOL-, HEAT- (värmepumpsmodell) eller AUTO-läge	Installera
FAN-, DEHUMIDIFY- eller HEAT-läge (elektrisk värmemodell)	Ta bort

1. Installera adapter B och adapter I på ventilations slangen såsom visas i figur 16a eller 16b. Se föregående sidor för installation av fönstersats.
2. Återinsätt ventilations slangens krok i hålet för luftutsläppet och skjut ner ventilations slangens längs med pilens riktning, (se figur 17) för installation.

Ventilations slang kan monteras i väggen

(ej tillämpligt för apparater utan adapter A, expansionspluggar och tillbehörens träskruvar).

1. Förbered ett hål i väggen. Montera ventilations adapter A på väggen (utanför) med 4 expansionspluggar och träskruvar, se till att fästa den ordentligt. (Se figur 18).
2. Fäst ventilations slang till väggens ventilations adapter A.

Obs: Täck för hålet med adapterlocket när det inte används

Ventilations slangens kan pressas ihop eller förlängas något enligt monteringskraven, men det är önskvärt att behålla minimal slanglängd.

VIKTIGT: BÖJ INTE VENTILATIONSSLANGEN (SE FIGUR 19)

FÖRSIKTIGHET:

Se till att det inte finns något hinder kring ventilations slangens luftutsläpp (inom räckvidden 500 mm) för att ventilationssystemet ska fungera korrekt.

INSTALLATIONSINSTRUKTIONER

Vattendränering

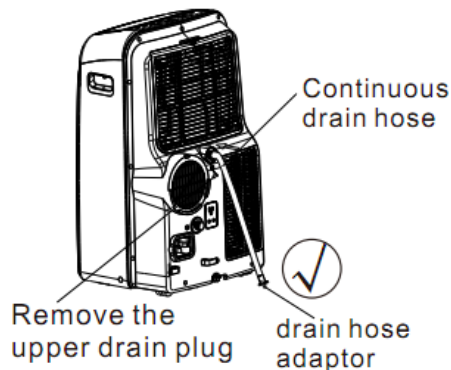


Fig.20a

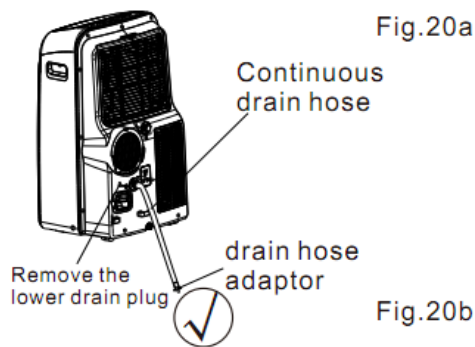


Fig.20b

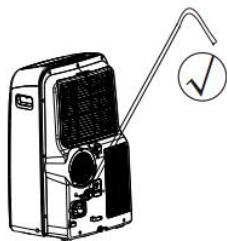


Fig.21a

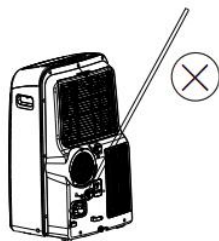


Fig.21b



Fig.22

-Under avfuktningläget, ta bort den övre dräneringspluggen från baksidan av apparaten, installera dräneringskontakten ("5/8"-universell honkontakt) med en "3/4"-slang (köpt lokalt). För modeller utan dräneringsanslutning, fäst bara dräneringsslangen till hålet. Placera slangadapters öppna ände direkt över dräneringsområdet på ditt källargolv. Se figur 20a.

-Under värmepumpsläget, ta bort den övre dräneringspluggen från baksidan av apparaten, installera dräneringskontakten ("5/8"-universell honkontakt) med en "3/4"-slang (köpt lokalt). För modeller utan dräneringsanslutning, fäst bara dräneringsslangen till hålet. Placera slangadapters öppna ände direkt över dräneringsområdet på ditt källargolv. Se figur 20b.

OBS: Se till att slangen är skyddad så att det inte uppstår några läckor. Rikta slangen mot dräneringen, för att säkerställa att det inte finns några veck som stoppar vattenflödet. Placera slangens ände nedåt i utloppet och se till att slangen är riktad nedåt så att vattnet flyter smidigt. (se figur 20a, 20b, 21a). Låt aldrig den riktas uppåt. (se figur 21b).

-När vattennivån i bottentråget når en förutbestämd nivå, piper apparaten 8 gånger, det digitala visningsområdet visar "P1". Vid denna tidpunkt kommer luftkonditionerings-/avfuktningprocessen att omedelbart stanna. Däremot kommer fläktmotorn att fortsätta köra (vilket är normalt).

Flytta försiktigt apparaten till en dräneringsplats, avlägsna bottendelens dräneringsplugg och dränera vattnet (figur 22). Sätt tillbaka bottendelens dräneringsplugg och starta om maskinen tills "P1"-symbolen försvinner. Om felet upprepas, ring efter service.

OBS: Var noga med att återinstallera den nedre avtappningspluggen innan du använder apparaten.

SKÖTSEL OCH UNDERHÅLL

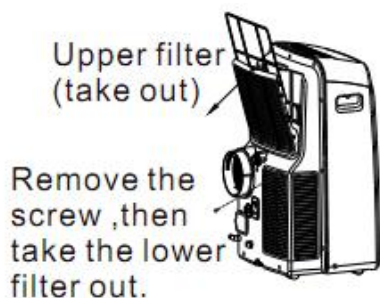


Fig.23

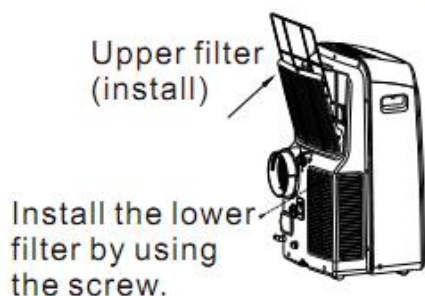


Fig.24

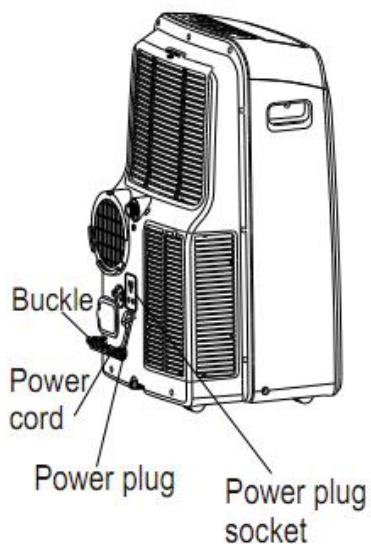


Fig.25

SKÖTSEL OCH UNDERHÅLL

VIKTIGT

- 1) Var noga med att dra ur apparatens sladd innan rengöring eller service.
- 2) Använd inte bensin, förtunningsmedel eller andra kemikalier för att rengöra apparaten.
- 3) Tvätta inte apparaten direkt under en vattenkran eller med en vattenslang. Det kan orsaka elektrisk fara.
- 4) Om strömsladden är skadad, måste den repareras av tillverkaren eller av dess personal.

1 Luftfilter

- Rengör luftfiltret minst en gång varannan vecka för att förhindra sämre fläktdrift grund av damm.

- Borttagning

Denna apparat har två filter. Ta ut det övre filtret längs med pilens riktning (figur 23), ta sedan ut det nedre filtret. Ta ut det nedre filtret genom att lossa på skruven, ta ut filtret såsom visas i figur 23.

- Rengöring

Tvätta luftfiltret genom att doppa det försiktigt i varmt vatten (ca 40 °C/104 °F) med ett neutralt rengöringsmedel. Skölj filtret och torka det på en skuggig plats.

- Montering

Sätt tillbaka det övre luftfiltret efter rengöring, och sätt tillbaka det undre luftfiltret med hjälp av skruven (se figur.24).

2. Apparatsens hölje

- Använd en luddfri trasa som är fuktad med ett neutralt rengöringsmedel för att rengöra apparatsens hölje. Slutför med en torr ren trasa.

3. Apparaten har varit inaktiv under en längre tid

- Ta bort gummipluggen på baksidan av apparaten och fäst en slang för att dränera utloppet. Placera slangens öppna ände direkt över dräneringsområdet på ditt källargolv (se figur 20 och 21).

- Ta bort pluggen från dräneringsutloppets bottendel, låt allt vatten i bottenrätget rinna ut (se figur 22). - Låt apparaten köra under FAN-läget under en halv dag i ett varmt rum för att torka apparatsens insida och förhindra mögelbildning.

- Stanna apparaten och koppla ur den, linda in sladden och bunta den med bandet (figur 25). Ta ur batterierna från fjärrkontrollen.

- Rengör luftfiltret och sätt tillbaka det.

FELSÖKNINGSTIPS

FELSÖKNING

PROBLEM	MÖJLIGA ORSAKER	FÖRESLÅ ÅTGÄRDER
1. Apparaten startar inte när du trycker på ON/OFF-knappen	- P1 visas i displayfönstret	Dränera vattnet i bottenrådet.
	- Rumstemperaturen är lägre än den inställda temperaturen (kylningsläge).	Återställ temperaturen.
2. Inte tillräckligt kallt	- Fönstren eller dörrarna i rummet är inte stängda.	Se till att alla fönster och dörrar är stängda.
	- Det finns värmekällor i rummet.	Avlägsna värmekällorna om möjligt.
	- Frånluftskanalen är inte ansluten eller blockerad.	Anslut kanalen och se till att den fungerar korrekt.
	- Temperaturinställningen är för hög.	Minska den inställda temperaturen.
	- Luftfiltret är blockerat av damm.	Rengör luftfiltret.
3. Bullrig eller vibrerar	- Ytan är inte jämn eller tillräckligt platt.	Placera apparaten på en så jämn, plan yta som möjligt.
4. Porlande ljud	- Ljudet kommer från det strömmande kylmedlet inuti luftkonditioneraren.	Det är normalt.
5. Strömmen stängs av under uppvärmningsläget	- Funktionen för det automatiska överhettningsskyddet. När temperaturen vid luftutsläppet överstiger 70 °C/158 °F, kommer apparaten att stanna.	Slå på den igen efter att apparaten har svalnat.

Utformningen och specifikationerna kan ändras utan föregående meddelande för produktförbättring. Rådgör med försäljningsagenturen eller tillverkaren för mer detaljer.