

INSTALLATION MANUAL FOR ROOM AIR CONDITIONER



(Split Wall-Mounted Type)

INSTALLATION PRECAUTIONS

- Please read this installation manual carefully before operating the unit to ensure correct installation.
- If the power cord is damaged, replacement work shall be performed by authorised personnel only.
- Installation work must be performed in accordance with the national wiring and refrigeration standards by authorised personnel only. All wiring must comply with local and national electrical standards and codes. If the above are not followed, the seller of this appliance do not grant any warranty.
- Contact an authorized service technician for repair, maintenance or installation of this unit.
- This appliance is not intended for use by persons (including children) with reduced physical, sensory or mental capabilities, or lack of experience and knowledge, unless they have been given supervision or instruction concerning use of the appliance by a person responsible for their safety.
- Children should be supervised to ensure that they do not play with the appliance.
- All the pictures in the instructions are for explanation purposes only. The actual shape should prevail.
- The design and specifications are subject to change without prior notice for product improvement. Consult with the sales agency or manufacture for details.

SAFETY PRECAUTIONS

- Please read these safety precautions carefully before installation.
- Be sure to follow all the precautions below, they are all important for ensuring safety

 WARNING	This symbol indicates the possibility of death or serious injury.
 CAUTION	This symbol indicates the possibility of injury or damage to property.

WARNING

- 1) Install according to this installation instructions strictly. If installation is defective, it will cause water leakage, electrical shock fire.
- 2) Use the attached accessories parts and specified parts for installation, otherwise, it will cause the set to fall, water leakage, electrical shock fire.
- 3) Install at a strong and firm location which is able to withstand the set's weight. If the strength is not enough or installation is not properly done, the set will drop and cause injury.
- 4) For electrical work, follow the local national wiring standard, regulation and this installation instructions. An independent circuit and single outlet must be used. If electrical circuit capacity is not enough or defect found in electrical work, it will cause electrical shock fire.
- 5) Use the specified cable and connect tightly and clamp the cable so that no external force will be acted on the terminal. If connection or fixing is not perfect, it will cause heat-up or fire at the connection.
- 6) Wiring routing must be properly arranged so that control board cover is fixed properly. If control board cover is not fixed perfectly, it will cause heat-up at connection point of terminal, fire or electrical shock.
- 7) When carrying out piping connection, take care not to let air substances other than the specified refrigerant go into refrigeration cycle. Otherwise, it will cause lower capacity, abnormal high pressure in the refrigeration cycle, explosion and injury.
- 8) Do not modify the length of the power supply cord or use of extension cord, and do not share the single outlet with other electrical appliances. Otherwise, it will cause fire or electrical shock.

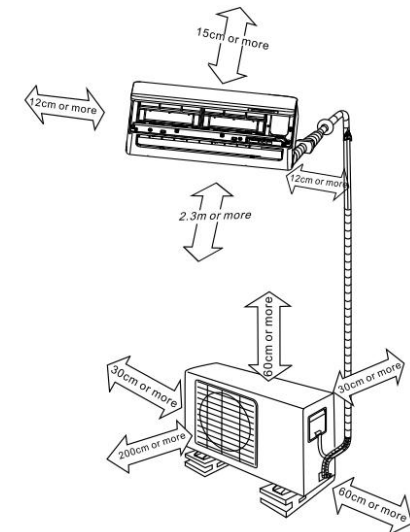
CAUTION

- 1) This equipment must be earthed and installed with earth leakage current breaker. It may cause electrical shock if grounding is not perfect.
- 2) Do not install the unit at place where leakage of flammable gas may occur. In case gas leaks and accumulates at surrounding of the unit, it may cause fire.
- 3) Carry out drainage piping as mentioned in installation instructions. If drainage is not perfect, water may enter the room and damage the furniture.

SELECT THE BEST LOCATION

Indoor unit

- There should not be any heat source or stream near the unit.
- There should not be any obstacles blocking the air circulation.
- A place where air circulation in the room is good.
- A place where drainage can be easily done.
- A place where noise prevention is taken into consideration.
- Do not install the unit near the door way.
- Ensure the spaces indicated by arrows from the wall, ceiling, fence or other obstacles.
- There should not be any direct sunlight. If unavoidable, sunlight prevention should be taken into consideration.



Outdoor unit

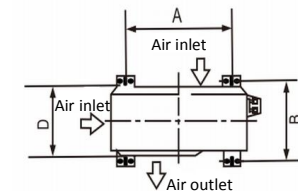
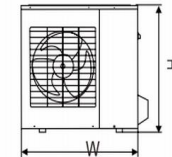
- If an awning is built over the unit to prevent direct sunlight or rain, be careful that heat radiation from the condenser is not obstructed.
- There should not be any animal or plant which could be affected by hot air discharged.
- Keep the spaces indicated by arrow from wall ceiling, fence or other obstacles.
- Do not place any obstacles which may cause a short circuit of the discharged air.

Settlement of outdoor unit

- Anchor the outdoor unit with a bolt and nut $\phi 10$ or $\phi 8$ tightly and horizontally on a concrete or rigid mount.

NOTE: The outdoor unit you purchase may be like one of the following. Install the outdoor unit according to the dimension as indicated in the table below:

Outdoor unit dimension mm(WxHxD)	Mounting dimensions	
	A(mm)	B(mm)
670x540x265	481	276
780x540x250	549	276
760x590x285	530	290
845x700x320	560	335



ACCESSORIES

Number	Name of Accessories	Qty		
1	Installation Plate	1		
2	Clip Anchor	5-8(dependent on models)		
3	Self-tapping Screw A ST3.9x25	5-8(dependent on models)		
4	Seal(For cooling & heating models only)	1		
5	Drain Joint(For cooling & heating models only)	1		
6	Connecting Pipe Assembly	Liquid side	$\Phi 6.35$	Parts you must purchase. The pipe size differ from appliance to appliance. Consult the technician for the proper size.
			$\Phi 9.52$	
		Gas side	$\Phi 9.52$	
			$\Phi 12.7$	
		$\Phi 16$		
7	Remote controller	1		
8	Self-tapping Screw B ST2.9x10	optional	2	
9	Remote controller holder	parts	1	
10	Air freshening filter (installed on Air filter)		1	

NOTE: Except the above parts provided, the other parts needed during installation you must purchase.

1 INSTALLATION PLATE MOUNTING

NOTE:

The mounting wall is strong and solid enough to prevent it from the vibration.

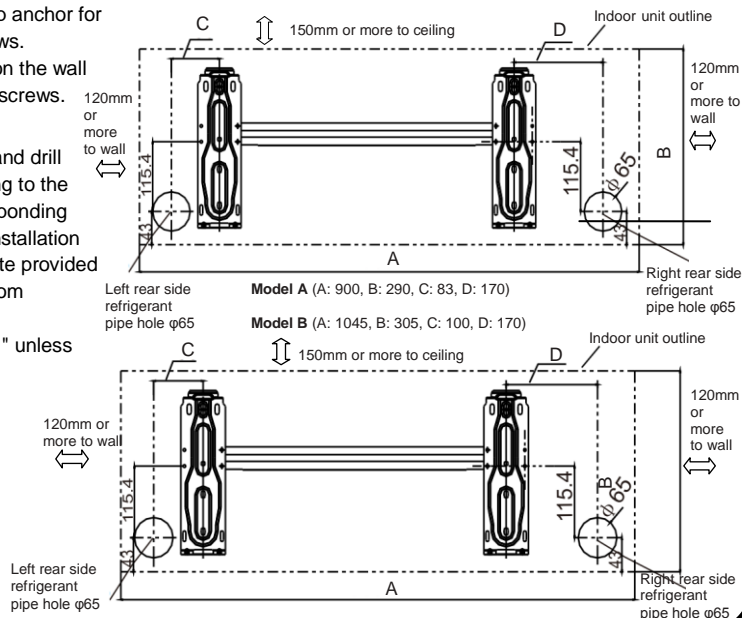
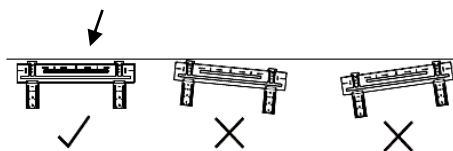
• INSTALLATION PLATE MOUNTING

1. Fit the installation plate horizontally on structural parts of the wall with spaces around the installation plate.
2. If the wall is made of brick, concrete or the like, drill five or eight 5mm diameter holes in the wall. Insert Clip anchor for appropriate mounting screws.
3. Fit the installation plate on the wall with five or eight type "A" screws.

NOTE:

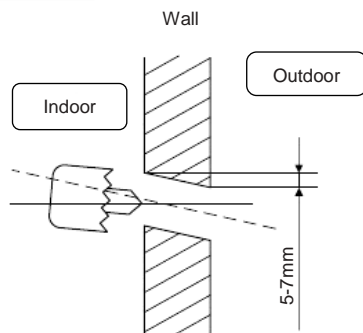
Fit the Installation Plate and drill holes in the wall according to the wall structure and corresponding mounting points on the installation plate. The installation plate provided with the machine differ from appliance to appliance. (Dimensions are in " mm " unless otherwise stated)

Correct orientation of Installation Plate



2 DRILL A HOLE IN THE WALL

1. Determine hole positions according to left and right side of the installation plate. The hole center is obtained by measuring the distance as shown in the diagram above.
2. Drill the piping plate hole with $\phi 65$ mm hole-core drill.
3. Drill the piping hole at either the right or the left and the hole should be slightly slanted to the outdoor side.
4. Always use wall hole conduit when drilling metal grid, metal plate or the like.



3 CONNECT THE CABLE TO THE INDOOR UNIT

Electrical work

Electric safety regulations for the initial Installation

1. If there is serious safety problem about the power supply, the technicians should refuse to install the air conditioner and explain to the client until the problem is solved.
2. Power voltage should be in the range of 90%~110%of rated voltage.
3. The creep age protector and main power switch with a 1.5 times capacity of Max. Current of the unit should be installed in power circuit.
4. Ensure the air conditioner is grounded well.
5. According to the attached Electrical Connection Diagram located on the panel of the outdoor unit to connect the wire.
6. All wiring must comply with local and national electrical codes and be installed by qualified and skilled electricians.
7. An individual branch circuit and single receptacle used only for this air conditioner must be available. See the following table for suggested wire sizes and fuse specifications:

Minimum nominal cross-sectional area of conductors:

Rated current of appliance (A)	Nominal cross-sectional area (mm ²)
10	1.5
16	2.5

NOTE:

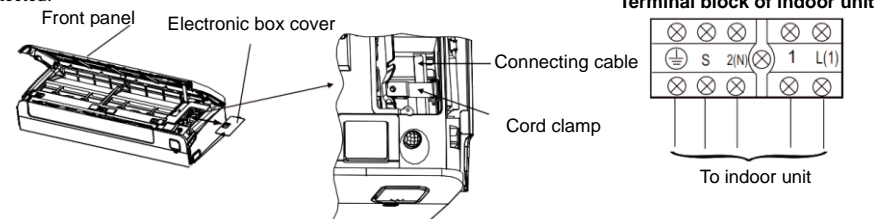
The cable size and the current of the fuse or switch are determined by the maximum current indicated on the nameplate which located on the side panel of the unit. Please refer to the nameplate before selecting the cable, fuse and switch.

Connect the cable to the indoor unit

NOTE: Before performing any electrical work, turn off the main power to the system.

1. The inside and outside connecting cable can be connected without removing the front grille.
2. The indoor power cord type is H05VV-F or H05V2V2-F, the outdoor power cord and interconnected cord type is H07RN-F.
3. Lift the indoor unit panel up, remove the electrical box cover by loosening the screw.
4. Ensure the colour of wires of outdoor unit and the terminal Nos. are the same to the indoor s respectively.
5. Wrap those cables not connected with terminals with insulation tapes, so that they will not touch any electrical components. Secure the cable onto the control board with the cord clamp.

NOTE: If used as MONO unit, for the standby control needs, the cross section area of cable connected to L(1), 1, 2(N) must be sufficient for the maximum system current. The maximum system current is equal to the sum of indoor unit and outdoor unit rated current. If used as MULTI unit, L(1) on the terminal block does not need to be connected.

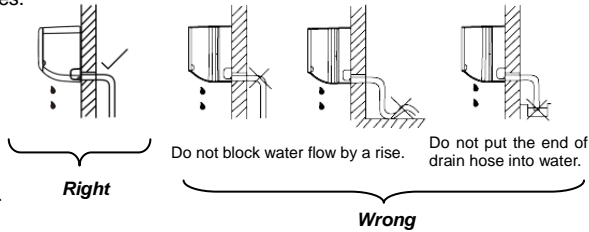


NOTE: While securing the cable with the cord clamp, the connecting cable should be mounted to the right side.

4 CONNECTIVE PIPE AND DRAINAGE INSTALLATION

Drainage

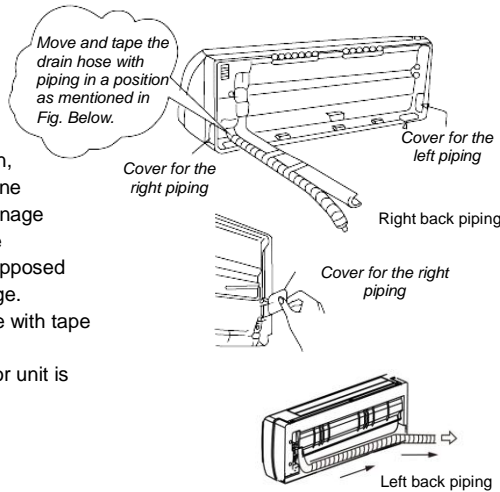
1. Run the drain hose sloping downward. Do not install the drain hose as illustrated in Figures.
2. When connecting extension drain hose, insulate the connecting part of extension drain hose with a shield pipe, do not let the drain hose slack.



Connective pipe installation

1. For the left-hand and right-hand piping, remove the pipe cover from the side panel.
2. For the rear-right-hand and rear-left-hand piping, install the piping as shown.

- NOTE:** For 9K/12K model, there is only one side drainage structure design. For 18k model, one side drainage structure is standard. Both sides drainage structure is optional and can only be customized from factory. For both sides drainage structure, it can be chosen for right, left or both sides drainage connection. If choosing both sides drainage connection, another proper drain hose is needed as there is only one drain hose offered by factory. If choosing one side drainage connection, make sure the drain hole on the other side is well plugged. The connection of the drain hose is supposed to be done by qualified installer in case of water leakage.
3. Bundle the tubing, connecting cable, and drain hose with tape securely, evenly as shown in Figure on the right.
- Because the condensed water from rear of the indoor unit is gathered in ponding box and is piped out of room. Do not put anything else in the box.

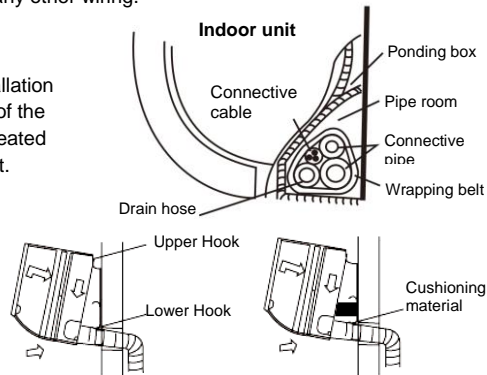


CAUTION

- Connect the indoor unit first, then the outdoor unit.
- Do not allow the piping to let out from the back of the indoor unit.
- Be careful not to let the drain hose slack.
- Heat insulated both of the auxiliary piping.
- Be sure that the drain hose is located at the lowest side of the bundle. Locating at the upper side can cause drain pan to overflow inside the unit.
- Never intercross nor intertwist the power wire with any other wiring.

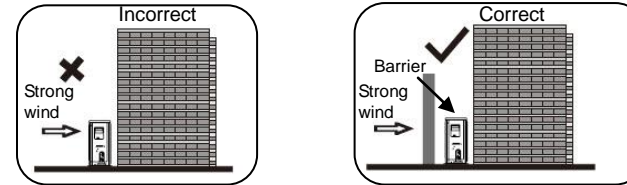
Indoor unit installation

1. Pass the piping through the hole in the wall.
2. Hook the indoor unit onto the upper portion of installation plate (Engage the indoor unit with the upper edge of the installation plate). Ensure the hooks are properly seated on the installation plate by moving it in left and right.
3. Piping can easily be made by lifting the indoor unit with a cushioning material between the indoor unit and the wall. Get it out after finish piping.
4. Press the lower left and right side of the unit against the installation plate until hooks engages with their slots.



1 OUTDOOR INSALLATION PRECAUTION

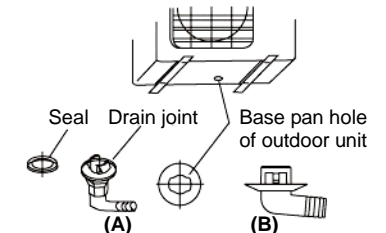
- Install the outdoor unit on a rigid base to prevent increasing noise level and vibration.
- Determine the air outlet direction where the discharged air is not blocked.
- In the case that the installation place is exposed to strong wind such as a seaside, make sure the fan operating properly by putting the unit lengthwise along the wall or using a dust or shield plates.
- Specially in windy area, install the unit to prevent the admission of wind. If need suspending installation, the installation bracket should accord with technique requirement in the installation bracket diagram. The installation wall should be solid brick, concrete or the same intensity construction, or actions to reinforce, damping supporting should be taken.
- The connection between bracket and wall, bracket and the air conditioner should be firm, stable and reliable.
- Be sure there is no obstacle which block radiating air.



2 DRAIN JOINT INSTALLATION

NOTE: The drain joint is slightly different according to the different outdoor unit.

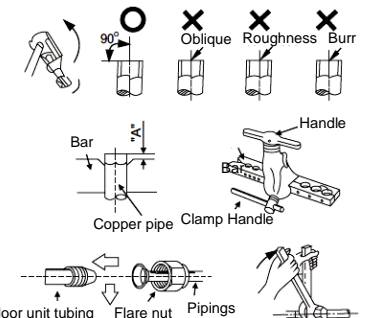
For the drain joint with the seal (Fig.A), first fit the seal onto the drain joint, then insert the drain joint into the base pan hole of outdoor unit, rotate 90 to securely assemble them. To install drain joint as shown in Fig.B, insert the drain joint into the base pan hole of outdoor unit until it remains fixed with a clicking sound. Connecting the drain joint with an extension drain hose (Locally purchased), in case of the water draining off the outdoor unit during the heating mode.



3 REFRIGERANT PIPE CONNECTION

Flaring

1. Cut a pipe with a pipe cutter.
2. Put flare nuts on pipe/tube having completed burr removal and flare the pipe.
3. Firmly hold copper pipe in a die in the dimension shown in the table below.



Tightening connection

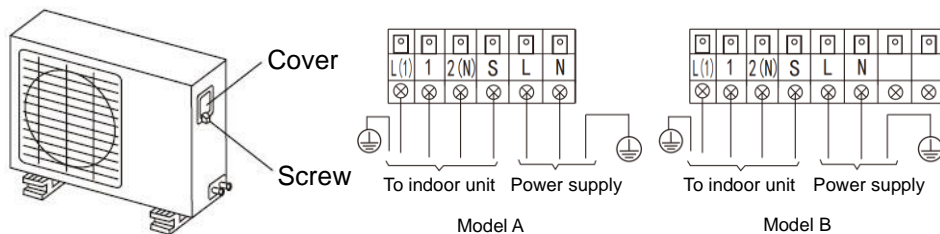
- Align pipes to be connected.
- Sufficiently tighten the flare nut with fingers, and then tighten it with a spanner and torque wrench as shown.
- Excessive torque can break nut depending on installation conditions.

Outer diam.	Tightening torque(N.cm)	Additional tightening torque(N.cm)
φ6.35mm	1500 (153kgf.cm)	1600 (163kgf.cm)
φ9.52mm	2500 (255kgf.cm)	2600 (265kgf.cm)
φ12.7mm	3500 (357kgf.cm)	3600 (367kgf.cm)
φ16mm	4500 (459kgf.cm)	4700 (479kgf.cm)

4 CONNECT THE CABLE TO THE OUTDOOR UNIT

1. Remove the electrical control board cover from the outdoor unit by loosening the screw.
2. Connect the connective cables to the terminals as identified with their respective matched numbers on the terminal block of indoor and outdoor units.
3. Secure the cable onto the control board with the cord clamp.
4. To prevent the ingress of water, from a loop of the connective cable as illustrated in the installation diagram of indoor and outdoor units.
5. Insulate unused cords (conductors) with PVC-tape. Process them so they do not touch any electrical or metal parts.

Terminal block of outdoor unit



5 AIR PURGING AND TEST OPERATION

1. Air purging

- Air and moisture in the refrigerant system have undesirable effects. Therefore, the indoor unit and tubing between the indoor and outdoor unit must be leak tested and evacuated to remove any non condensable and moisture from the system.
- Check that each tube(both liquid and gas side tubes) between the indoor and outdoor units have been properly connected and all wiring for the test run has been completed.
- Pipe length and refrigerant amount:

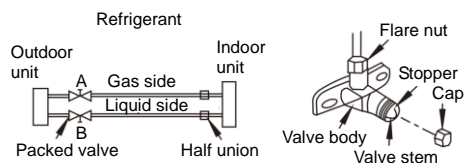
Connective pipe length	Air purging method	Additional amount of refrigerant to be charged	
Less than 5m	Use vacuum pump	—————	
More than 5m	Use vacuum pump	Liquid side:φ6.35mm R22: (Pipe length-5)x30g/m R410A: (Pipe length-5)x20g/m	Liquid side:φ9.52mm: R22: (Pipe length-5)x60g/m R410A: (Pipe length-5)x40g/m

For the R410A refrigerant model, make sure the refrigerant added into air conditioner is liquid form in any cases.

- When relocate the unit to another place, using vacuum pump to perform evacuation.

CAUTION

- Open the valve stem until it hits against the stopper. Do not try to open it further.
- Securely tighten the valve stem cap with a spanner or the like.
- Valve stem cap tightening torque. See Tightening torque table.



2. When using the Vacuum Pump

1. Completely tighten the flare nuts, A, B, C, D, connect the manifold valve charge hose to a charge port of the packed valve on the gas pipe side.
2. Connect the charge hose connection to the vacuum pump.
3. Fully open the handle Lo of the manifold valve.
4. Operate the vacuum pump to evacuate. After starting evacuation, slightly loose the flare nut of the packed valve on the gas pipe side and check that the air is entering. (Operation noise of the vacuum pump changes and a compound meter indicates 0 instead of minus)
5. After the evacuation is complete, fully close the handle Lo of the manifold valve and stop the operation of the vacuum pump.
 - Make evacuation for 15 minutes and more and check that the compound meter indicates -76cmHg(-1.0x105Pa).
6. Turn the stem of the packed valve B about 45° counter-clockwise for 6~7 seconds after the gas coming out, then tighten the flare nut again. Make sure the pressure display in the pressure indicator is a little higher than the atmosphere pressure.
7. Remove the charge hose from the Low pressure charge hose.
8. Fully open the packed valve stems B and A.
9. Securely tighten the cap of the packed valve.

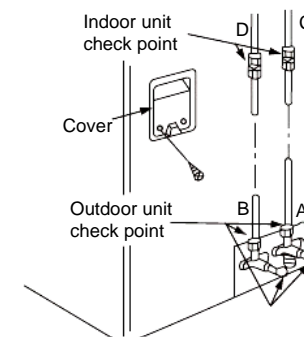
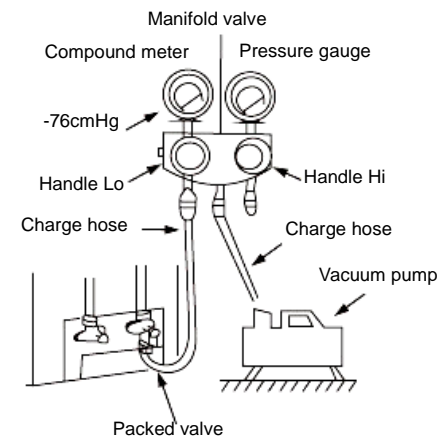
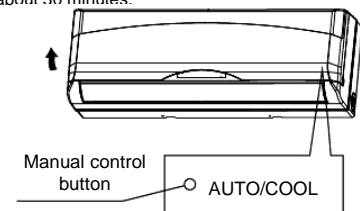
3. Safety and leakage check

1. Soap water method:
 - Apply a soap water or a liquid neutral detergent on the indoor unit connections and outdoor unit connections by a soft brush to check for leakage of the connecting points of the piping. If bubbles come out, it indicates that the pipes have leakage.
 2. Leak detector
 - Use the leak detector to check for leakage.
- CAUTION**
A: Lo packed valve B: Hi packed valve
C and D are ends of indoor unit connection.

4. Test running

Perform test operation after completing gas leak check at the flare nut connections and electrical safety check.

- Check that all tubing and wiring have been properly connected.
 - Check that the gas and liquid side service valves are fully open.
1. Connect the power, press the ON/OFF button on the remote controller to turn the unit on.
 2. Use the MODE button to select COOL, HEAT, AUTO and FAN to check if all the functions work well.
 3. When the ambient temperature is too low(lower than 17 C), the unit cannot be controlled by the remote controller to run at cooling mode, manual operation can be taken. Manual operation is used only when the remote controller is disable or maintenance necessary.
 - Hold the panel sides and lift the panel up to an angle until it remains fixed with a clicking sound.
 - Press the Manual control button to select the AUTO or COOL, the unit will operate under Forced AUTO or COOL mode (see User Manual for details).
 4. The test operation should last about 30 minutes.



ASENNUSOHJE

ILMALÄMPÖPUMPPU

ASENNUKSEN TURVATOIMENPITEET

- Lue tämä asennusohje huolellisesti läpi, jotta yksikkö tulee asennettua oikein.
 - Jos virtajohto on vahingoittunut, sen saa vaihtaa vain valtuutettu huoltomies.
 - Asennustyöt saa suorittaa vain valtuutettu henkilö, kansallisia johdotus- ja jäähdysstandardeja noudattaen. Johdotusten täytyy noudattaa kansallisia ja paikallisia sähköalan standardeja ja merkintöjä. Jos näitä määryksiä ei noudateta, tämän laitteen myyjä ei anna laitteelle takuuta.
 - Ota yhteyttä valtuutettuun huoltomieheen tämän laitteen korjaamisessa, huollossa ja asentamisessa.
 - Henkilöiden (lapset mukaan lukien), joilla on rajoittuneet fyysiset, henkiset tai havaintokyvyt, tai muutoin riittämättömät tiedot, ei tulisi käyttää tätä laitetta muutoin kuin oikein opastettuina tai valvonnan alaisina.
 - Valvo, että lapset eivät leiki laitteella.
 - Tämän asennusoppaan kaikki kuvat ovat vain selityskäyttöön. Oppaan alkuperäisen muodon tulee säilyä.
 - Oppaan muotoa ja tietoja voidaan muuttaa ilman ennakkovaroitusta tuotteen parantamiseksi.
- Kysy lisätietoja myyjältä tai valmistajalta.

TURVATOIMENPITEET

Lue nämä turvaohjeet huolella ennen asennusta. Seuraa turvaohjeita, sillä ne kaikki ovat tärkeitä turvallisuuden varmistamiseksi.

VAROITUS

Tämä merkki varoittaa vakavasta loukkaantumisen tai kuoleman vaarasta

VARO

Tämä merkki varoittaa loukkaantumisen tai aineellisen vahingon vaarasta.

VAROITUS

- Noudata asennusohjeita tarkasti. Jos laite on asennettu väärin, se voi aiheuttaa vesivahinkoja, tulipaloja tai sähköiskuja.
- Käytä asennukseen mukana olevia varusteita ja määrättyjä osia, muutoin laite voi pudota ja aiheuttaa vesivahinkoja, tulipaloja tai sähköiskuja.
- Asenna laite tukevalle pinnalle, joka on riittävän vahva kantamaan laitteen painon. Jos asennuspinta ei ole riittävän tukeva, laite voi pudota ja aiheuttaa onnettomuuden.
- Sähköisissä täytyy noudattaa kansallisia sähköasennusstandardeja ja sääntöjä sekä tätä asennusopasta. Laitteen kanssa tulee käyttää itsenäistä virtapiiriä ja yksittäistä pistorasiaa. Jos virtapiirin kapasiteetti ei ole riittävä tai asennuksessa on virhe, se voi aiheuttaa sähköiskun tai tulipalon.
- Käytä määrättyä virtajohtoa ja kiinnitä se tiukasti kiinnikkeellä, jotta ulkopuolinen voima ei vaikuta terminaaliin. Jos sähköasennusta ei ole tehty oikein, se voi aiheuttaa liitäntöjen lämpenemisen tai tulipalon liittäessä.
- Johdotus täytyy järjestää oikein siten, että jakorasian kansi on kunnolla kiinni. Jos jakorasian kansi ei ole kunnolla paikoillaan se aiheuttaa liitäntäkohdan kuumenemisen ja sähköiskun tai tulipalon.
- Putkia liitettäessä, varmista, että jäähdysainekierto ei pääse mitään muuta kuin määrättyä jäähdysainetta. Varmista, että ilmasta ei pääse kiertoon vieraita aineita. Muutoin, laitteen kapasiteetti laskee, tai jäähdysainekierto toimii epänormaali paineella, jolloin se voi räjähtää ja aiheuttaa vahinkoa.
- Älä muuta virtajohdon pituutta äläkä käytä jatkojohtoja. Älä käytä samassa pistorasiassa muita laitteita. Muuten laitteessa on tulipalon tai sähköiskun vaara.

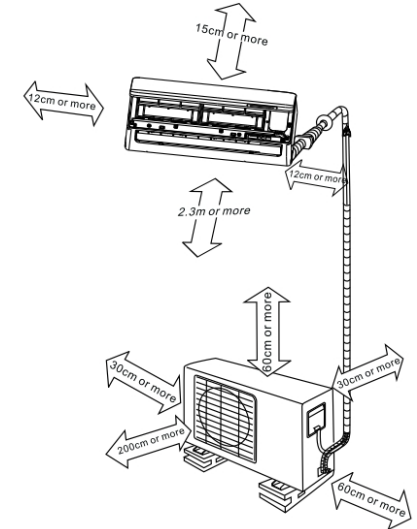
VARO

- Tämä laite tulee maadoittaa ja asentaa maavuodon virrankatkaisimen kanssa. Maadoittamaton laite voi aiheuttaa sähköiskun.
- Älä asenna laitetta paikkaan, jossa voi olla syttyvien kaasujen vuotoja. Jos vuotavat kaasut kertyvät laitteen ympärille, se voi aiheuttaa tulipalon.
- Suorita viemäröinti asennusohjeiden mukaisesti. Jos viemäröinti ei ole kunnossa, vesi voi tulla huoneeseen ja vahingoittaa kalusteita.

ASENNUSPAIKAN VALINTA

Sisäyksikkö

- Laitteen lähellä ei saa olla mitään lämmönlähdettä
- Asennuspaikassa ei saa olla mitään laitteen ilman kiertoa estäviä esineitä.
- Asennuspaikassa tulee olla hyvä ilmanvaihto.
- Viemäröinti on helppo toteuttaa.
- Äänieristys on otettu paikkaan huomioon.
- Älä asenna laitetta oven lähelle.
- Varmista, että laitteen ympärillä on kuvan ohjeiden mukaan riittävästi tilaa.
- Vältä asentamista suoraan auringonpaisteeseen. Jos muuta paikkaa ei ole, laitteen suojaaminen on otettava huomioon.



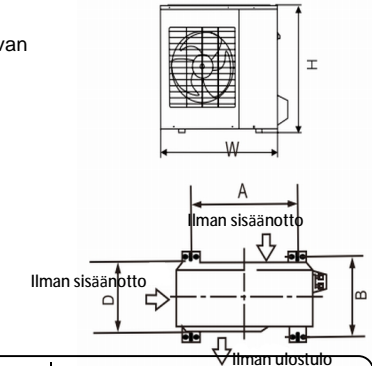
Ulkoyksikkö

- Jos laitteen ylle on rakennettu katos suojaamaan auringolta ja sateelta, varmista, että jäädyttimeen lämpösäteily ei esty.
- Varmista, että asennuspaikan lähellä ei ole lämpösäteilystä kärsiviä kasveja tai eläimiä.
- Varmista, että laitteen ympärillä on kuvan ohjeiden mukaan riittävästi tilaa.
- Varmista, että asennuspaikassa ei ole mitään poistoilman virtausta estäviä esineitä.

Ulkoyksikön kiinnittäminen

- Kiinnitä ulkoyksikkö $\phi 10$ tai $\phi 8$ pultilla ja mutterilla tiukasti vaakasuoraan betoni- tai muulle tukevalle alustalle.
- HUOMAA:** Ostamasi ulkoyksikkö voi olla jonkin alla olevan kaltainen. Asenna ulkoyksikkö taulukon mittojen mukaan:

ulkoyksikön mitat mm(WxHxD)	ajustan mitat	
	A(mm)	B(mm)
670x540x265	481	276
780x540x250	549	276
760x590x285	530	290
845x700x320	560	335



TARVIKKEET

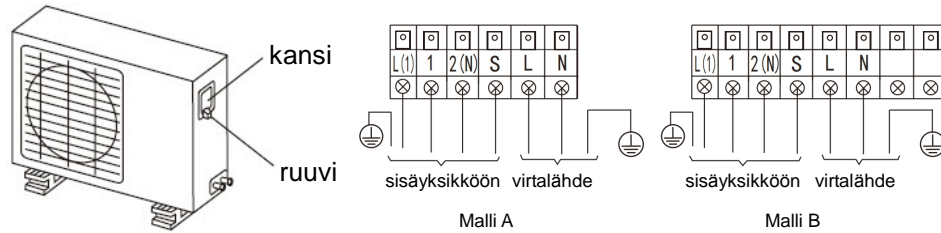
Número	Tarvikkeen nimi	Qty	
1	Kehikko	1	
2	Ankkurikiipsi	5-8(mallista riippuen)	
3	Ruuvi A ST3.9x25	5-8(mallista riippuen)	
4	Tiiviste (vain jäähdytys & lämmitys -mallit)	1	
5	Poistoliitin(vain jäähdytys & lämmitys -mallit)	1	
6	Yhdysputkis to	Nestepuoli $\Phi 6.35$	Osat ostettava erikseen.Putken koko vaihtelee malleittain. Kysy asiantuntijalta oikea koko.
		Nestepuoli $\Phi 9.52$	
		Kaasupuoli $\Phi 9.52$	
		Kaasupuoli $\Phi 12.7$	
7	Kaukosäädin	1	
8	Itsekierteittävä ruuvi B ST2.9x10	Valinnaiset osat	
9	Kaukosäätimen pidike	1	
10	ilmanraikastin (asennettu ilmansuodattimeen)	1	

HUOMAA: Yllämainittuja osia lukuun ottamatta, asennuksessa tarvittavat tarvikkeet on hankittava itse.

4 VIRTAJOHDON LIITTÄMINEN ULKOYKSIKKÖÖN

- Poista sähkörasian kansi ulkoyksiköstä avaamalla ruuvi. Liitä liitäntäjohdot jakorasiaan niiden vastaavien numeroiden perusteella.
- Varmista johtojen kiinnitys sähkörasiaan johtojen pidikkeellä.
- Estä veden valuminen tekemällä liitäntäjohtoon kieppi sisä- ja ulkoyksikön asennusoppaan kuvien mukaan.
- Eristä käyttämättömät johdot (johtimet) eristysnauhalla. Varmista, että ne eivät koske mihinkään komponenttiin tai metalliosaan.

ulkoyksikön jakorasia



5 ILMAN PUHDISTUS JA TESTIKÄYTTÖ

1. Ilman puhdistus

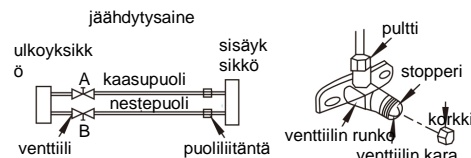
- Ilma ja kosteus ovat jäähdytysaineierrossa haitallisia. Tämän vuoksi, sisäyksikkö ja putkitus sisä- ja ulkoyksikön välillä on testattava vuotojen varalta. Kosteus on poistettava ja tiiviys varmistettava.
- Tarkista, että jokainen (neste- ja kaasupuolen) putki sisä- ja ulkoyksikön välillä on kunnolla liitetty ja johdotus testikäytölle on valmis.
- Putken pituus ja jäähdytysaineen määrä:

yhdyspotken pituus	puhdistusmetodi	jäähdytysaineen määrä	
vähemmän kuin 5m	tyhjiöpumppu		
enemmän kuin 5m	tyhjiöpumppu	nestepuoli:φ6.35mm	nestepuoli:φ9.52mm:
		R410A: (putken pituus-5)x20g/m	R410A: (putken pituus-5)x40g/m

- Varmista, että ilmastointilaitteeseen lisättänä mallin R410A jäähdytysaine on aina nestemäisessä muodossa.
- Kun laite siirretään toiseen paikkaan, käytä tyhjiöpumppua kierron tyhjentämiseksi.

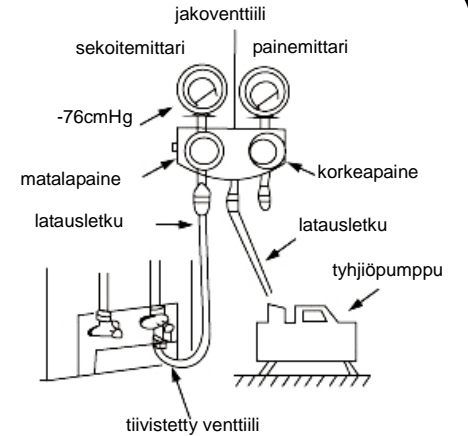
VARO

- Avaa venttiiliin kara kunnes se osuu stopperiin. Älä yritä avata enempää.
- Kiristä venttiiliin karan korkki kiintoavaimella tai vastaavalla.
- Venttiiliin karan korkin momenttiavain: katso momenttiavaintaulukko.



2. Tyhjiöpumpun käyttö

- Kiristä pultit, A, B, C, D, kokonaan, yhdistä jakoventtiiliin latausletku latausporttiin kaasuputkipuolella.
- Yhdistä latausletku tyhjiöpumppuun.
- Aukaise kokonaan jakoventtiiliin matalapaineen kahva.
- Käynnistä tyhjiöpumppu aloittaaksesi vakumoinnin. Vakumoinnin aloittamisen jälkeen, löysää hieman tiivisteventtiiliin mutteria kaasuputkipuolelta ja tarkista, että ilmaa pääsee sisään. (Pumpun ääni muuttuu ja yhdistemittari näyttää 0 miinuksen sijaan.)
- Kun vakumointi on valmis, sulje jakoventtiiliin matalapaineen kokonaan ja sammuta tyhjiöpumppu.
- Vakumoi vähintään 15 minuuttia ja tarkista, että sekoitemittari näyttää -76cmHg(-1.0x105Pa).
- Kierrä venttiiliin B karaa noin 45 astetta vastapäivään 6-7 sekunnin ajan, jotta kaasu tulee ulos. Kiristä mutteri uudestaan. Varmista, että painemittari näyttää hieman korkeampaa painetta kuin ilmakehän paine.
- Poista latausletku matalapaineen liittimestä.
- Avaa kokonaan venttiilien A ja B karat.
- Kiristä tiukasti venttiiliin korkki.

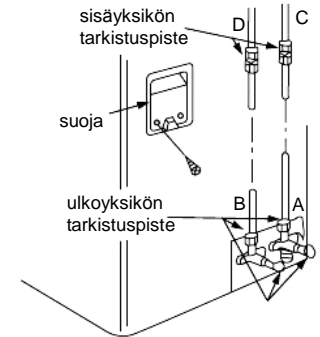


3. Turva- ja vuototarkistus

- Saippuavesimetodi:
Lisää saippuavettä tai neutraalia pesuainetta pehmeällä harjalla sisä- ja ulkoyksiköiden putkien liitäntöihin. Jos näet kuplia, putkissa on vuoto.
- Vuodonilmaisimien käyttö vuodonilmaisinta vuotojen etsimiseen.

VARO

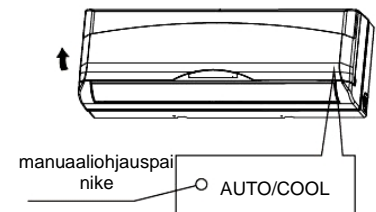
- A: matalapaineen venttiili B: korkeapaineen venttiili C ja D ovat sisäyksikön liitännät.



4. Testikäyttö

Suorita koekäyttö kun kaasuvuototesti on tehty ja mutterien kireys sekä sähköturvallisuus tarkistettu.

- Tarkista, että kaikki putket ja johdot ovat kunnolla liitetty.
- Tarkista, että kaasun ja nesteen syöttöventtiilit ovat kokonaan auki.
- Yhdistä verkkovirtaan, paina ON/OFF -painiketta kaukosäätimessä käynnistäaksesi yksikön
- Käytä MODE -painiketta valitaksesi COOL, HEAT, AUTO ja FAN -tilan, tarkista, että kaikki toiminnot toimivat oikein.
- Kun ympäristön lämpötila on liian matala (matalampi kuin 17 C) yksikköä ei voi säätää kaukosäätimellä toimimaan viilennystilassa, tämän tilan voi valita käsin. Manuaalivalintaa käytetään vain kun kaukosäädin ei toimi tai laite vaatii huoltoa.
- Pida paneelia sen sivuista ja nosta paneeli ylös, kunnes se pysyy ylhäällä ja kuulet naksauksen. Paina manuaaliohjauspainiketta valitaksesi AUTO tai COOL -tilan, laite toimii pakotetussa AUTO tai COOL -tilassa (katso käyttöoppaasta lisätietoja).
- Testikäytön tulisi kestää vähintään 30 minuuttia.



INSTALLATIONS MANUAL

SPLIT LUFT/LUFT-VÄRMEPUMP MED AC-FUNKTION

FÖRSIKTIGHETSÅTGÄRDER

Vänligen läs igenom följande instruktioner noggrant innan du använder apparaten, för att försäkra dig om att den är korrekt installerad. Om sladden skadas måste den ersättas av auktoriserad person. Installation måste utföras av auktoriserad person, i enlighet med nationell standard för ledning och avkylning. Om detta inte följs gäller inte säljarens garanti av denna produkt. All kabeldragnings måste följa lokala och nationella elektriska standarder och koder. Kontakta auktoriserad servicetekniker för reparation, underhåll eller installation av denna produkt.

Denna apparat är inte avsedd att användas av personer (inklusive barn) med nedsatt fysisk eller psykisk förmåga eller bristande erfarenhet och kunskap, såvida de inte fått instruktioner eller är under uppsyn av person som ansvarar för deras säkerhet.

Barn skall övervakas för att försäkra att de inte leker med apparaten.

Alla bilder i dessa instruktioner har endast som syfte att förklara. Konditioneringens faktiska utseende gäller i första hand.

Design och specifikationer kan komma att ändras för att förbättra produkten.

Rådgrör med tillverkare eller återförsäljare för detaljer.

SÄKERHETS FÖRESKRIFTER

Vänligen läs säkerhetsföreskrifterna noggrant innan installation. Följ nedan angivna säkerhetsåtgärder, då de är viktiga för din säkerhet.

⚠ VARNING Denna symbol indikerar risk för dödsfall eller allvarlig skada.

⚠ FÖRSIKTIG Denna symbol indikerar risk för skada på egendom.

⚠ VARNING

1) Utför installationen strikt efter dessa instruktioner. Om installationen utförs felaktigt, kan det orsaka vattenläckage elektrisk chock eller brand.

2) Använd medföljande tillbehör och specifika delar för vid installation för att undvika risk för fall, vattenläckage, elektrisk chock eller brand.

3) Installera luftkonditioneringen på en fast och stabil plats som klarar av apparatens vikt, annars kan den falla och orsaka skada.

4) Följ nationella restriktioner och standarder samt dessa instruktioner för elarbete i samband med montering av denna produkt. Luftkonditioneringen skall anslutas till en oberoende krets med eget uttag. Om kretsens kapacitet överskrider eller om det elektriska installationsarbetet utförs felaktigt, kan detta orsaka elektrisk chock eller brand.

5) Anslut medföljande sladd ordentligt, så att ingen extern ledning interagerar med terminalen. Om sladden inte ansluts ordentligt, kan detta leda till upphettning och brand.

6) Ledningarna måste arrangeras så att styrkortet täcks ordentligt. Om locket till styrkortet inte sitter fast ordentligt, kan detta orsaka upphettning av terminalens anslutningspunkter, brand eller elektrisk chock.

7) Vid rör-anslutningen, se till att inte luft eller andra ämnen än det specifika köldmediet kommer in i kylcykeln, då detta kan sänka kylcykelns kapacitet, orsaka onormalt högt tryck, explosion och skada.

8) Ändra inte elkabellens längd och använd inte förlängningssladd eller förgrenat uttag, då detta kan orsaka brand eller elektrisk chock.

⚠ FÖRSIKTIG

1) Denna utrustning måste jordas vid installation och utrustas med jordfredsbytare för att undvika elektrisk chock.

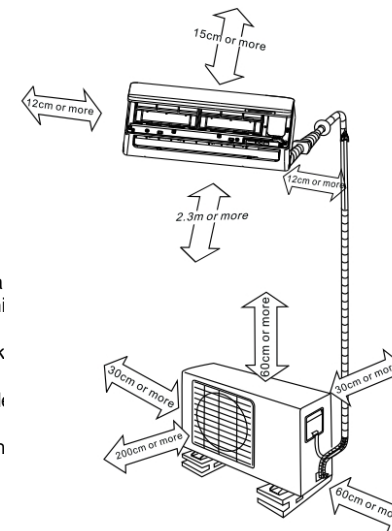
2) Installera inte enheten där läckage av brandfarlig gas kan uppstå, om gas läcker ut och ackumuleras med enhetens omgivning kan detta orsaka brand.

3) Montera dräneringen enligt instruktionerna för att undvika vattenläckage och skada på omgivningen.

ATT VÄLJA PLATS

Inomhusenheten

- Det får inte finnas någon värmekälla eller värmeström i närheten av enheten.
- Inget får blockera luftströmmen.
- Välj en plats med god luftcirkulation.
- Välj en plats där dräneringen underlättas.
- Välj en plats där oljud förebyggs.
- Installera inte enheten nära en dörröppning.
- Håll avstånd från vägg, tak, staket och andra hinder enligt pilarna i figuren.
- Enheten bör inte utsättas för direkt solljus. Solljus skall, i största möjliga mån förebyggas.



Utomhusenheten

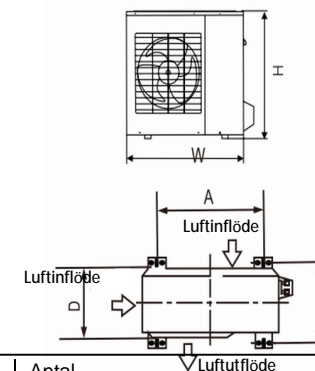
- Om markis placeras över enheten för att förhindra direkt sol eller regn, var noga med att värmestrålar från kondensorn inte förhindras.
- Det bör inte vara djur eller plantor som kan påverkas av den varma luftens utflöde.
- Håll avstånd från vägg, tak, staket och andra hinder enligt pilarna i figuren.
- Placera inget som kan hindra och orsaka kortslutning av luftens utflöde.

Utomhus

- Montera enheten med bult och mutter 10 eller 8 mm, ordentligt på ett fast och stabilt, horisontellt underlag.

OBS: Din inköpta utomhusenhet kan vara en av följande. Installera enheten enligt tabell nedan.

Dimensioner för utomhusenhet mm(WxHxD)	Monteringsdimensioner	
	A(mm)	B(mm)
670x540x265	481	276
780x540x250	549	276
760x590x285	530	290
845x700x320	560	335



Nr	Benämning	Antal		
1	Installationsplatta	1		
2	Klämman	5-8(beroende på modell)		
3	Självgående skruv A ST3.9x25	5-8(beroende på modell)		
4	Försegling(Endast för kyl och-värmemodeller)	1		
5	Avlopp(Endast för kyl och-värmemodeller)	1		
6	Anslutande rör montering	Flytande sida	Φ6.35	Delar som köparen själv måste inhanda. Rörens storlek varierar från enhet till enhet, rådgrör med tekniker för rätt storlek.
			Φ9.52	
		Gas-sidan	Φ9.52	
			Φ12.7	
		Φ16		
7	Fjärrkontroll	1		
8	Självgående skruv B ST2.9x10	Alternativa delar	2	
9	Fjärrkontroll-hållare	delar	1	
10	Luftreningsfilter (installeras på luftfilter)			

OBS: Utöver ovan nämnda tillbehör kan köparen själv komma att behöva tillhandahålla vissa delar som är nödvändiga vid installation.

1 MONTERING AV INSTALLATIONSPLATTAN

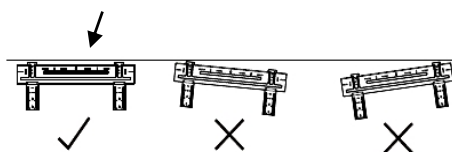
OBS:

Monteringsväggen måste vara tillräckligt stabil och stark för att motverka vibration.

MONTERING AV INSTALLATIONSPLATTAN

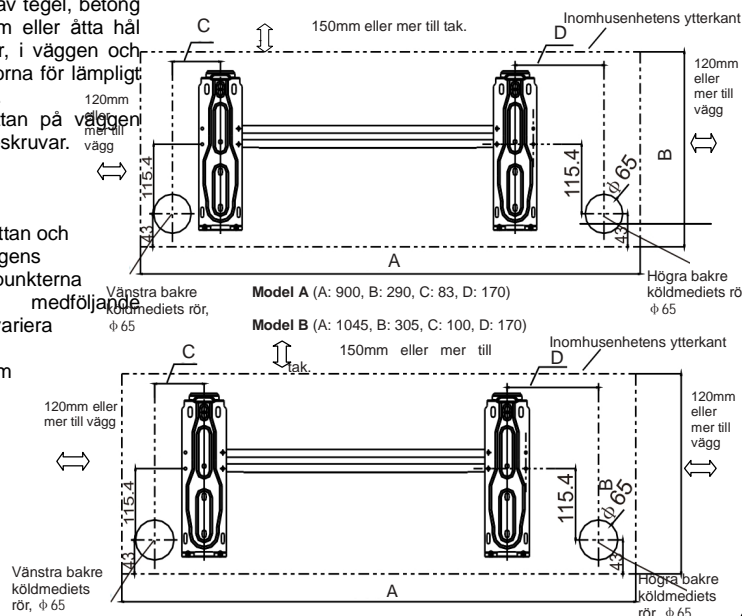
1. Ställ in installationsplattan horisontellt mot väggens, med utrymme runt plattan.
2. Om väggen är gjord av tegel, betong eller liknande, borra fem eller åtta hål som är 5mm i diameter, i väggen och sätt i förankringsklämmorna för lämpligt antal monteringskruvar.
3. Fäst installationsplattan på väggen med fem eller åtta typ A-skruvar.

Korrekt placering av installationsplattan



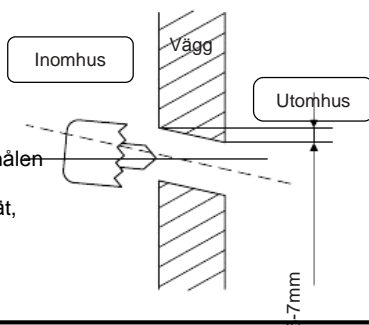
OBS:

Anpassa installationsplattan och de borrade hålen till väggens struktur och monteringspunkterna på plattan. Den medföljande installationsplattan kan variera från enhet till enhet. Måttnets enhet är mm, om inget annat anges.



2 BORRA HÅL I VÄGGEN

1. Bestäm hålens positioner efter vänster och höger sida av installationsplattan. Hålens centrum erhålls genom att mäta avståndet, enligt figur.
2. Borra hålen med 65mm borr.
3. Borra hålen på antingen höger eller vänster sida och låt hålen sluta lätt, mot utsidan.
4. Använd alltid väggens hål-ledning då du borrar i metall-nät, metallplattor, eller liknande.



3 ANSLUT KABELN TILL INOMHUSENHETEN

Elektriskt arbete

Elektriska säkerhetsrestriktioner för initial installation

1. Är det allvariga säkerhetsproblem med ettillförseln, bör tekniker vägra att installera luftkonditioneringen, förklara situationen för klienten och vänta med installation tills problemet är löst.
2. Nätspänningen bör motsvara 90%~110% av märkspänningen.
3. Krypskyddet och huvudströmbrytaren tar 1.5 gånger maxkapaciteten. Enhetens ström skall installeras i en strömkrets.
4. Försäkra dig om att luftkonditioneringen är ordentligt jordad.
5. Se bifogat elanslutningsdiagram på utomhuspanelens för anslutning av kabel.
6. All ledning av kablar måste följa nationella restriktioner och utföras av kvalificerad elektriker.
7. Ett eget grenledningsskydd samt en behållare som används enbart av denna apparat måste finnas tillgängligt. Se följande tabell för specifikation av kabel och säkring.

Minimal nominell tvärsnittsarea för ledare

Apparatens märkström (A)	Nominell tvärsnittsarea (mm ²)
10	1.5
16	2.5

OBS:

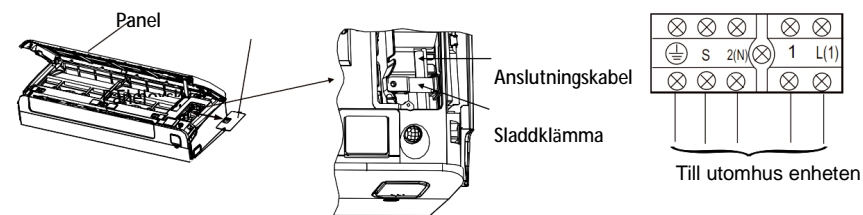
Val av kabel, säkring och ström skall göras utifrån märkströmmen som står på märkplåten som sitter på panelen. Vänligen se märkplåt innan du väljer kabel, säkring och switch.

Anslut kabeln till inomhusenhetsen

Innan du utför något elektriskt arbete, slå av systemets huvudström.

1. Sladden mellan ut-och insida kan anslutas utan att avlägsna fram gallret.
2. Kabel typ för elkabel inomhus: H05VV-F eller H05V2V2-F och kabel typ för elkabel utomhus samt sammankoppling: H07RN-F.
3. Lyft upp inomhusenhetsens panel, avlägsna el boxens skydd genom att lossa på skruven.
4. Se till att färgen på utomhusenhetsens kablar vid terminalens anslutningskruvar är desamma som inomhusenhetsens kablar respektive.
5. Vira isolerings tejp runt de kablar som inte är anslutna med terminalen, så att de inte kommer i kontakt med några elektriska komponenter. Kläm fast sladden på styrkortet med sladdklämma.

OBS: Om enheten används som MONO: För behov av standby kontroll, tvärsnittsarean på kabeln ansluten till L (1), 1, 2 (N) måste vara tillräcklig för systemets maximala ström. Systemets maximala ström är summan av inomhus och utomhusenhetsens märkström. Vid användning av MULTI, behöver inte L(1) på kopplingsplinten anslutas.



OBS: När du sätter fast kabeln med sladdklämma, måste anslutningskabeln monteras på höger sida

4 INSTALLATION AV RÖR OCH DRÄNERING

Dränering

- Låt dräneringssladden luta nedåt. Installera inte dräneringen som i figurerna till höger.
- Då du ansluter dräneringsslangen, täta anslutningen till den förlängda delen och låt den inte slaka.

Rörinstallation

- Ta bort rör-skyddet från det vänstra och högra rören.
- För de bakre rören, installera rören enligt figur.

OBS: För modell 9K/12K finns det bara en sida,

flytta och tejpa då dräneringsstrukturen.

För modell 18k, är en slang standard. Dränering på

båda sidor som omnämns är alternativ och måste anpassas,

se figur nedan. Som dräneringsstruktur, kan man ha

dränering på höger, vänster sida eller på båda sidor.

Väljer du att ha dräneringsanslutning på båda sidor,

behövs ytterligare en slang då endast en slang medföljer.

Om du väljer ensidig dräneringsanslutning, se till att

dräneringshålet på andra sidan är väl förslutet.

Anslutningen av avloppsslangen skall installeras av

kvalificerad person för att undvika läckage.

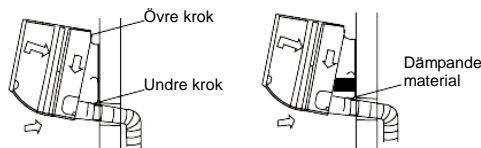
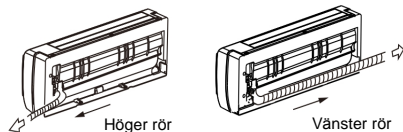
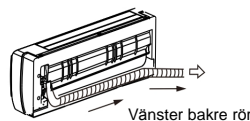
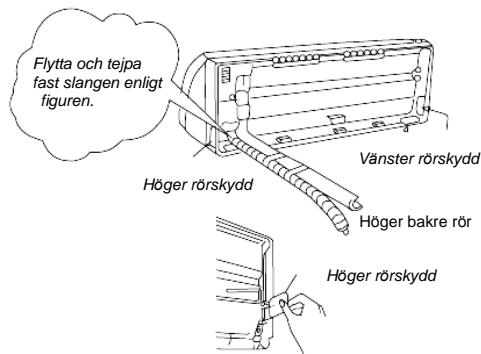
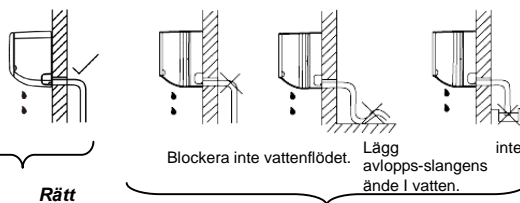
- Bunta ihop, anslutningskabel och dräneringsrör jämnt med tejp enligt figuren, till höger. Eftersom kondenserat vatten från enhetens bakre del samlas i damm-lådan och leds ut ur rummet, bör du inte lägga någonting i denna låda.

FÖRSIKTIGT

- Anslut inomhus-enheten först, sedan utomhus-enheten.
- Låt inte röret sticka ut från inomhus-enhetens bakre del.
- Låt inte dräneringsslangen slaka.
- Värme isoleras i båda extrarören.
- Försäkra dig om att dräneringsslangen är placerat underst i bunten.
- Placeras den överst kan dropplåten svämma över
- Korsa aldrig eller vrid samman elkabeln med någon annan ledning.
- Låt dräneringssladden luta nedåt, så att det kondenserade vattnet kan rinna ut smidigt

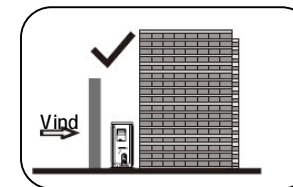
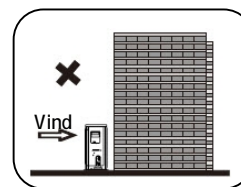
Installation av inomhus-enheten

- Trä röret genom hålet i väggen.
- Haka fast inomhus-enheten på installationsplattans övre del. Försäkra dig om att krokarna sitter fast ordentligt på installationsplattan, genom att vicka lite på dem.
- Ledning av rören görs enkelt genom att lyfta inomhus-enheten med stötdämpande material mellan inomhus-enheten och väggen. Ta bort materialet då du är klar.
- Tryck enhetens nedre del mot installationsplattan tills krokarna satt sig på plats ordentligt.



5 FÖRSIKTIGHETSÅTGÄRDER UTOMHUS

- Installera utomhusenheten på ett fast underlag för att undvika ökad ljudnivå och vibration.
- Välj riktning på luftens utflöde så att den utmatade luften inte blockeras.
- Om installationsplatsen utsätts för stark vind, som exempelvis vid havet, se till att fläkten fungerar ordentligt, genom att sätta enheten långs med väggen och/eller använda avskärmare som skyddar mot vind och damm. Det är extra viktigt med avskärmare i områden med stark vind. Om installationen uppskjuts, måste installationsmonteringen stämma med kraven i installationsmonteringsdiagrammet. Installationsväggen bör vara i massivt tegel, betong eller liknande, annars måste förstärknings och- dämpnings åtgärder vidtas.
- Anslutningen mellan konsol och luftkonditionering måste vara fast, stabil och tillförlitlig.
- Luftens utflöde får inte förhindras.



OBS: Avloppen kan variera lite från enhet till enhet.

För avloppet med försegling enligt figur A, sätt först på förseglingen på avloppet, sätt sedan i avloppet i bottenpannans hål i utomhusenheten, rotera 90° för att fästa ordentligt. För att installera avloppet enligt in Fig. B sätt i avloppet i bottenpannans hål. Då du hör ett klickljud är den ordentligt fast. Anslut avloppet med en förlängd avloppsslang (lokalt inhandlad) för att dränera bort vatten utomhus, under uppvärmningsfasen.

Vidgning

- Skär röret med en rör-skärare.
- Sätt på fläsmutter efter det att burr avlägsnats och röret utvidgats.
- Se dimensioner för kopparrör i tabellen nedan.

Se dimensioner för kopparrör nedan.

Ytterdiam. (mm)	A(mm)	
	Max.	Min.
Φ6.35	1.3	0.7
Φ9.52	1.6	1.0
Φ12.7	1.8	1.0
Φ16	2.2	1.0

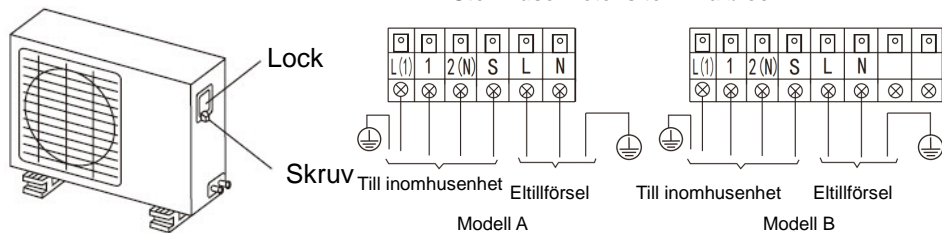
Tätning av anslutning

- Rätta upp rören som ska anslutas så att de är i linje med varandra.
- Dra först åt fläsmuttern med fingrarna och sedan ytterligare med skiftnyckel.
- Beroende på installationsförhållanden, kan överdrivet moment ha sönder muttern.

6 ANSLUT KABELN TILL UTOMHUSENHETEN

1. Avlägsna styrkortets lock från utomhusenheten, genom att lossa skruven.
2. Anslut de sammankopplande kablarna till terminalerna som identifieras med terminalblockens respektive nummer på inomhus och- utomhusenheten.
3. Fäst kabeln på styrkortet med kabelklämman.
4. Se installationsdiagram för utomhus och- inomhusenheten, för att förhindra inträngning av vatten vid kabelanslutningarna.
5. Isolera de kablar som inte används med PVC-tejp, så att de inte kommer i kontakt med elektriska komponenter eller metall.

Utomhusenhetens terminalblock



7 AVLÜFTNING OCH TESTDRIFT

Avluftning

- I Luft och fukt i kylsystemet kan ha oönskade effekter. Därför måste inomhusenheten och slangen mellan inomhus och- utomhusenheten läckagekontrolleras och all icke kondenserbar fukt måste avlägsnas från systemet.
- I Kontrollera att tuberna mellan inomhus och- utomhusenheten är ordentligt anslutna. (både för vätska och gas) och att alla testkörning av alla ledningar har utförts.

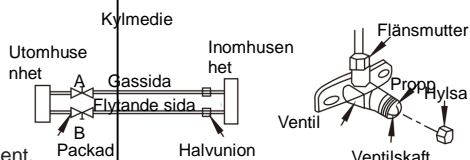
För modell R410, se till att köldmediet är flytande.
Kvantitet av rörlängd och köldmedium:

Längd sammankopplande rör på	Använd vakuumpump	Ytterligare mängd kylmedel	
Mindre än 5m	Använd vakuumpump		
Mer än 5m	Använd vakuumpump	Flytande sidan: ϕ 6.35mm R22: (Rörlängd-5)x30g/m R410A: (Rörlängd -5)x20g/m	Flytande sidan: ϕ 9.52mm: R22: (Rörlängd-5)x60g/m R410A: (Rörlängd -5)x40g/m

- Använd vakuumpumpen för tömning då du ska flytta enheten från en plats till en annan.

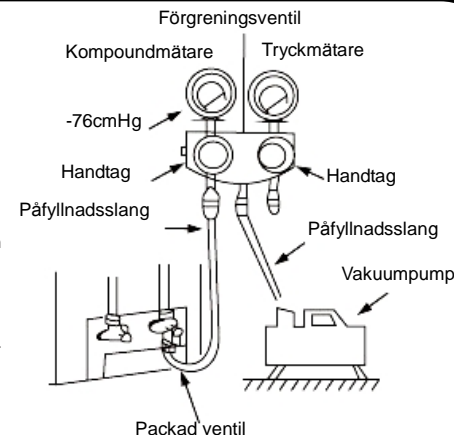
FÖRSIKTIGT

- I Öppna ventilskafvet tills den slår emot proppen, försök inte öppna den ytterligare
- I Dra åt ventillocket med en skruvnyckel eller liknande. Se momenttabell för åtdragningsmoment.



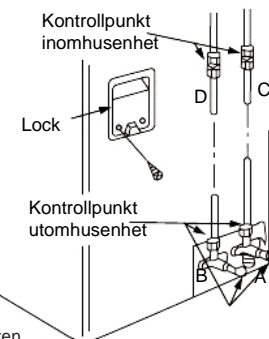
2. Vid användande av vakuumpumpen

1. Dra åt flänsmuttrarna A, B, C, D fullt ut, anslut grenrörets slang till en laddningsport på gasledningssidan.
2. Anslut slangen till vakuumpumpen.
3. Öppna förgreningsventilens handtag helt.
4. Använd vakuumpumpen för tömning. När tömningen påbörjats, lossa på flänsmuttern och den packade ventilen på gasrörsidan och kolla att luften kommer in (oljud då vakuumpumpen är i drift ändras och en komponentmätare indikerar 0 istället för minus).
5. Då tömningen är klar, stäng handtaget till förgreningsventilen ordentligt, och stäng av vakuumpumpen. Töm i 15 minuter och mer och kolla den packade ventilen, så att komponentmätaren indikerar -76cmHg(-1.0x105Pa).
6. Vrid den packade ventils skaft ungefär 450° medsols i 6-7 sekunder efter det att gas kommer ut, dra sedan åt flänsmuttern igen. Se till så att trycket på displayen är lite högre än atmosfärstrycket.
7. Avlägsna påfyllnadsslangen från lågtrycks-påfyllnadsslangen.
8. Öppna de packade ventilskaften, B och A fullt.
9. Dra åt packningens lock ordentligt.



3. Säkerhet och läckagekontroll

1. Tvål och- vattenmetoden: Applicera tvålvatten eller flytande, neutralt rengöringsmedel på inomhus och- utomhusenhetens anslutningar med en mjuk borste för att kontrollera att rörets anslutningspunkter inte läcker. Kommer det ut bubblor läcker röret.
2. Läckagedetektor. Använd läckagedetektorn för läckagekontroll.



Försiktigt

- A: Låg packad ventil B: Hög packad ventil
- C och D är ändarna på inomhusenhetens anslutningar.

4. Testdrift

Utför provkörning efter genomförd gas och- läckagekontroll vid flänsmutteranslutningarna samt efter elektrisk säkerhetskoll.

- I Kontrollera att alla slangar och ledningar har anslutits ordentligt.
- I Kontrollera att gas och- vätskesidorna är helt öppna.
- 1. Anslut strömmen, och tryck på ON/OFF - knappen på fjärrkontrollen för att slå på enheten.
- 2. Använd MODE- knappen för att välja COOL, HEAT, AUTO och FAN och kontrollera att alla funktioner fungerar ordentligt.
- 3. När den omgivande temperaturen är för låg (lägre än 17° C), kan inte enhetens styras med fjärrkontrollen använd då manuell drift. Manuell drift används endast då fjärrkontrollen är trasig eller då enheten måste underhållas. Håll panelens sidor och lyft upp den, tills du hör ett klickljud. Tryck på den manuella kontrollknappen och välj AUTO eller COOL (se manual för detaljer).
- 4. Testdriften ska utföras i minst 30 minuter.

