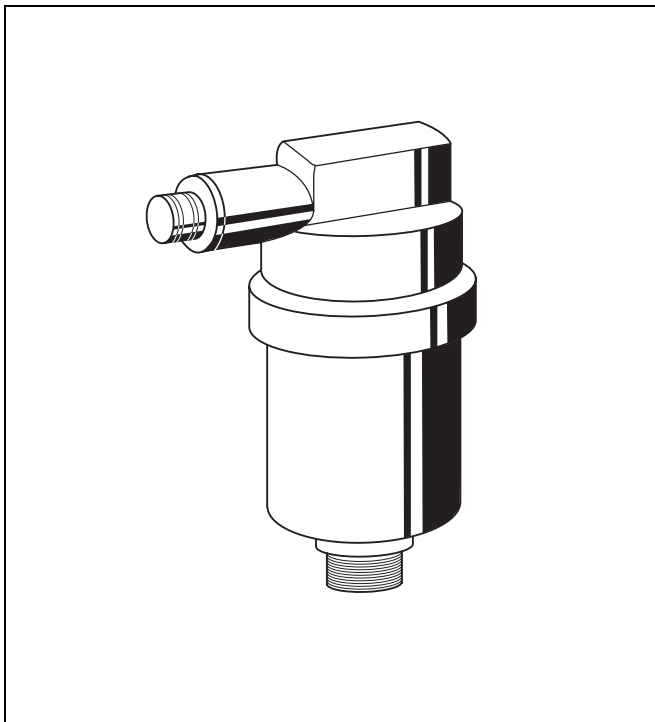




E125S

Automatic air vent for solar installations

Product specification sheet



Construction

The automatic air vent comprises:

- Lid
- Housing
- Floater with spring
- Valve seat seals

Materials

- Brass housing
- Brass lid
- High grade, heat-resistant synthetic material float
- Stainless steel spring
- Temperature- and aging-resistant elastomer sealing parts

Application

The air vent is used to automatically ventilate fluid-filled systems, preferably in solar installations.

Air in heating systems and other fluid-filled systems frequently causes disruptions in water cycles, as well as corrosion and noise. Therefore pay particular attention to a good ventilation.

Special Features

- Absolutely drip free
- Long-term reliability
- High ventilation capacity
- Cleaning or exchange of the sealing and internal parts after additional installation of the AVSOLAR shutoff valve is possible without emptying the system
- Extremely quick reaction
- Particularly compact

Range of Application

Medium Water

Medium temperature max. 150 °C

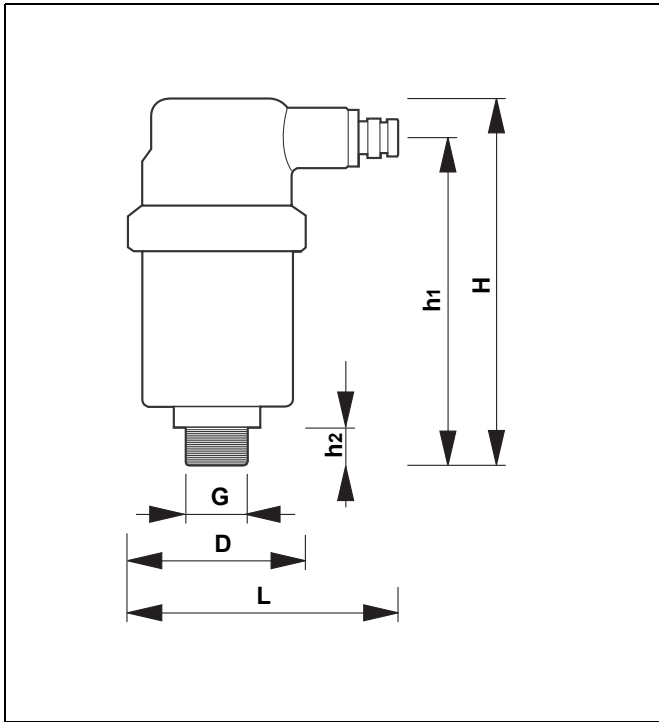
Not suitable for steam.

Technical Data

Nominal pressure max.18 bar

Operating pressure 0,5 - 10 bar

Connection size R 3/8" and R 1/2"



Method of Operation

Inside the automatic air vent there is a floater which operates a lever according to the water level. When there is no water in the housing, then the floater opens the valve. Air can therefore be vented from the heating system during filling. When the heating system has been filled, the inflowing water closes the valve and the vent is shut off. Water usually contains oxygen which bubbles off during operation of the system and collects at the highest point. The automatic air vent must therefore be fitted at the air collection position (highest point on a boiler or pipework circuit).

Options

E125S...A = Standard version
 Connection size

Connection size	G	3/8"	1/2"
Dimensions	mm		
	L	72,5	72,5
	D	48	48
	H	98	98
	h ₁	87	87
	h ₂	10,5	10,5
Wrench size	SW	23	27
Weight	kg	2,60	2,95

Accessories

Shutoff valve

Brass housing, high-grade, temperature-resistant plastic internal parts, hot water-resistant elastomer sealing ring



for 3/8" AVSOLAR-3/8
 for 1/2" AVSOLAR-1/2

Automation and Control Solutions

Honeywell GmbH
 Hardhofweg
 D-74821 Mosbach
 Phone: (49) 6261 810
 Fax: (49) 6261 81309
<http://europe.hbc.honeywell.com>
www.honeywell.com

Manufactured for and on behalf of the
 Environmental and Combustion Controls Division
 of Honeywell Technologies Sàrl, Ecublens, Route
 du Bois 37, Switzerland by its Authorised Representative Honeywell GmbH

EN0H-1359GE23 R0908
 Subject to change without notice
 © 2008 Honeywell GmbH

