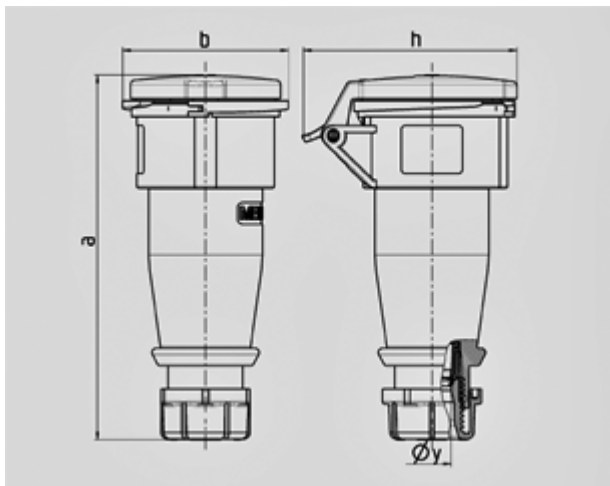


Connector AM-TOP® - Part no. 510


- screw terminals
- single part body
- cable gland and sealing
- strain relief and protection against kinking

| | |
|-----------------------|-----------------|
| Protection type | IP 44 |
| Ampere | 16A |
| Poles | 3p |
| Voltage | 230V |
| Hertz | 50-60Hz |
| Earth position | 6h |
| Contact | standard |
| Connection technology | Screw terminals |



| Drawing | Amp. | 16 | | | 32 | | |
|--------------------------------------|------|-------|------|------|-----|-----|-----|
| | | Poles | | | 3 | 4 | 5 |
| 3 MB 63 | | | | | | | |
| Dim. in mm | a | 162 | 165 | 167 | 209 | 209 | 208 |
| | b | 60 | 68 | 76 | 82 | 82 | 89 |
| | h | 83 | 92 | 98 | 100 | 100 | 108 |
| | y | 14,5 | 16 | 16 | 22 | 22 | 22 |
| Terminal for cond. cross | | 1 | 1 | 1 | 2,5 | 2,5 | 2,5 |
| section (mm ²) min.-max. | | -2,5 | -2,5 | -2,5 | -6 | -6 | -6 |