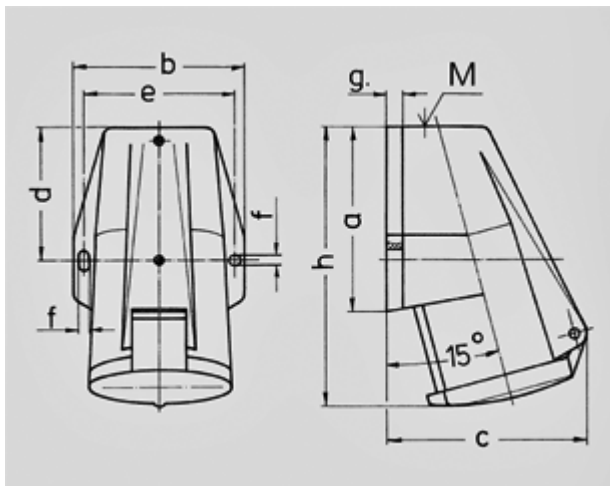


Wall mounted socket - Part no. 1


- screw terminals
- external fixing
- cable entry at top

| | |
|-----------------------|-----------------|
| Protection type | IP 44 |
| Ampere | 16A |
| Poles | 5p |
| Voltage | 400V |
| Hertz | 50-60Hz |
| Earth position | 6h |
| Contact | standard |
| Connection technology | Screw terminals |

Std. Pack. 10 Qty.



| Drawing | Amp. | 16 | | | 32 | | |
|---|------|-------|-----|------|------|------|-----|
| | | Poles | | | 3 | 4 | 5 |
| 1 MB 205 | | | | | | | |
| Dim. in mm | a | 91 | 91 | 91 | 102 | 102 | 102 |
| | b | 73 | 79 | 87 | 89 | 89 | 94 |
| | c | 86 | 93 | 99 | 108 | 108 | 114 |
| | d | 55 | 55 | 56,4 | 62 | 62 | 62 |
| | e | 62 | 68 | 76 | 77,5 | 77,5 | 84 |
| | f | 5,3 | 5,3 | 5,3 | 5,3 | 5,3 | 5,3 |
| | g | 8 | 8 | 9 | 10 | 10 | 10 |
| | h | 132 | 132 | 132 | 153 | 153 | 153 |
| | M | 20 | 25 | 25 | 25 | 25 | 32 |
| Max. cable diam. (mm) | | 13 | 18 | 18 | 18 | 18 | 25 |
| Terminal for cond. cross section (mm ²) min.-max. | | 1,5 | 1,5 | 1,5 | 2,5 | 2,5 | 2,5 |
| | | -4 | -4 | -4 | -10 | -10 | -10 |