



Anti Vibration Mounts (AV's)

Addendum to I&M 671220

Introduction

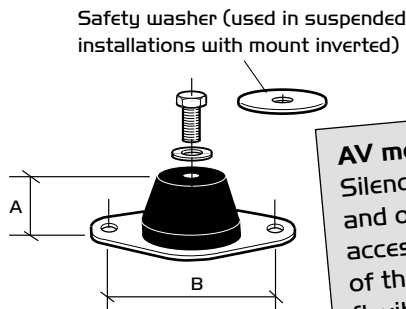
Anti-vibration mounting kits are available in both rubber and spring type, the correct selection and type employed will depend on the accurate calculation of the weight of the assembly to be supported.

Installation

AV mounts should not be fitted to a fan/silencer assembly unless there are flexible connectors fitted between the assembly and associated duct work.

AV mounts should be installed with the matched mounting feet and positioned such that they carry an equal proportion of the assembly weight. This is particularly important where fans and silencers are installed on suspension rods.

Figure 1. NAV 1 to NAV 5 (Resilient Rubber)



AV mounts isolate the fan only. Silencers/backdraught dampers and other "significant mass" accessories should form part of the fixed ductwork after the flexible connection.

Figure 2. NAV 6 (Resilient Rubber)

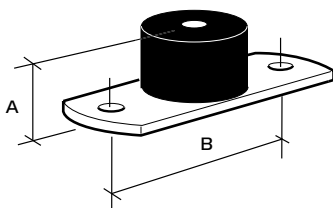
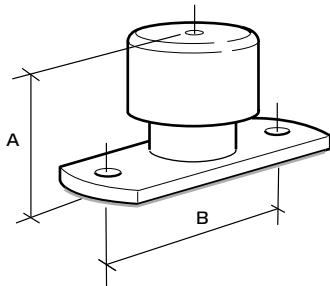


Figure 3. NAV 49 to NAV 58 (Spring)



AV mounts are maintenance free but a periodical inspection is recommended to check security of fixings and condition of rubbers and springs.

Resilient Mounting Details

Figure 4.

NAV 1 to NAV 5 shown in floor (Figure 4) and suspended configurations (Figure 5). Fans using size NAV 6 upwards require supporting steelwork to be designed (by others) for suspended applications.

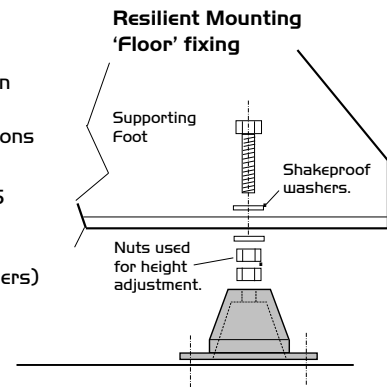
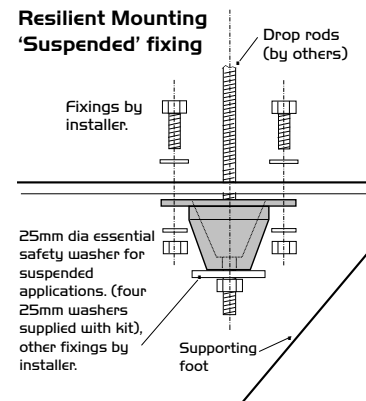


Figure 5.



Dimensions (mm) and Weights

Rubber Type

Code	A	B	Max. supporting weight (Kg)
NAV1	30	50	20
NAV2	40	75	80
NAV3	40	75	180
NAV4	40	75	260
NAV5	40	75	130
NAV6	50	100	320

Spring Type

Code	A	B	Max. supporting weight (Kg)
NAV49	77	76	400
NAV50	77	76	480
NAV51	77	76	520
NAV52	87	127	600
NAV53	87	127	700
NAV54	87	127	800
NAV55	87	127	950
NAV56	87	127	1110
NAV57	87	127	1270
NAV58	87	127	1430