

Nuaire International, Western Industrial Estate, Caerphilly, CF83 1NA, United Kingdom.
 Tel:+44 (0)29 2085 8200 Fax:+44 (0)29 2085 8300 email:info@nuairegroup.com

Whilst the information given on this data sheet is fan specific, it is in summary and reference to the product selection catalogue and installation & maintenance documents is recommended.
 This data sheet produced on 31 touko 2013 10:06 using software version 2.6.08 - 12-February-2013

Technical Data

AX - Axus Circular, GRP Blades

Circular Cased Axial Fan

Fan Code: **AX50B-213I**

Installation Manual Links: 671220

Required Duty: 1,5 m³/s @ 400 Pa
 Actual Duty: 1,535 m³/s @ 419 Pa
 Actual at Required Flow: 1,5 m³/s @ 427 Pa

When Speed Controlled to Required Duty (97,7%):

Fan Input Power: 1,004 kW

Motor Input Power: 1,36 kW

Specific Fan Power: 0,9 W/(l/s)

Motor Efficiency: 79 %

Fan Input Power: 1,076 kW

Maximum Fan Input Power: 1,08 kW

Motor Input Power: 1,458 kW

Specific Fan Power: 1 W/(l/s)

Nominal Fan Speed: 2 Pole 2 850 RPM

Electrical Supply: 3 Phase

Nominal Motor Rating: 1,1 kW

Motor Current: flc: 2,42 A

Motor Current: sc: 16,456 A

Overload Setting: 2,662 A

[!ElecSpec.7]

Blade Angle: 25 °

Max. Operating Temp.: 55°C

ErP D 2015 Compliant

The following information confirms compliance with EU 327/2011 as required by ErP Directive 2009/125/EC. ONLY APPLICABLE WITHIN EU STATES.

Efficiency Grade: 63
 Overall Efficiency: 57.9 %
 Measurement Category: D
 Efficiency Category: Total
 Variable Speed Drive: A variable speed drive must be installed with this fan

Input Power at Best Point: 1.318 kW
 Volume Flow at Best Point: 1.986 m³/s
 Pressure at Best Point: 294 Pa
 Speed: 2850 RPM
 Specific Ratio: 1.002911

Sound Data

Acoustic performance to BS848 Part 2.2 and AMCA 300.

Breakout Noise (dBA): 65 dBA @ 3m

Breakout level is spherical. For hemi-spherical add 3 dBA.

Sound Power Levels re 1 pWatts (Hz):

Hz	63	125	250	500	1k	2k	4k	8k
Induct Inlet	93	80	92	90	88	88	83	81
Induct Outlet	95	84	98	91	89	89	85	81
Open Inlet	81	73	90	89	88	88	83	81
Open Outlet	83	78	96	90	89	89	85	81
Breakout	89	76	89	84	77	77	68	59

Noise calculated at actual duty of fan.

Above noise calculated speed controlled to required duty (97,7%)

For 100% Speed: +1 +1 +1 +1 +1 +1 +1 +1

Breakout Noise (dBA): +1

Values shown are for inlet Lw and outlet Lw sound power levels for: Installation Type D: ducted inlet, ducted outlet. Ratings include the effects of duct end correction.

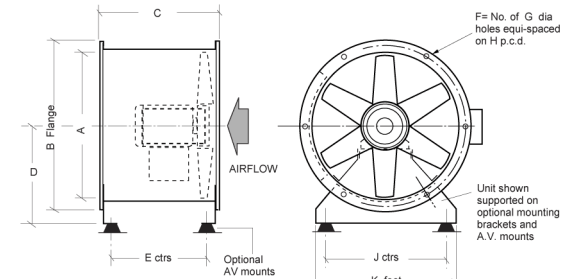
Selected Ancillaries

1 x NAV2	Anti-vibration mounting kit
1 x CMB50	Mounting bracket (pair)
2 x CMF50	Matching flange
2 x CFC50	Flexible connector

Specification

Axus circular inline axial flow fan manufactured from pre-galvanized mild steel for sizes 250-1250 diameter. 1400 diameter and above are manufactured from mild steel with hot dip galvanized finish. Fan incorporates inlet and outlet flanges with pre-drilled bolt holes, and an external terminal box to IP55. The motor is totally enclosed and protected to IP55, foot mounted class 'F' insulated and has sealed for life ball bearings. Blades manufactured from injection moulded GRP mounted in a die cast aluminium alloy hub as standard.

Fan Dimensions



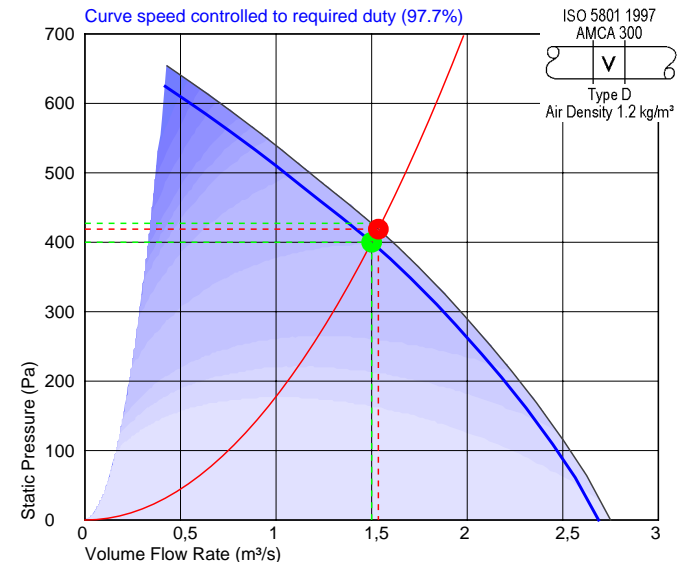
A	B	C	D	E	F	G	H	J	K	kg
500	608	465	340	385	12	12	560	380	430	28

The drawing is for dimensional purposes only. Dimensions in mm.

Wiring Information

For complete wiring details please refer to the Installation & Maintenance Manual reference 671220 on our website.

Performance Curve



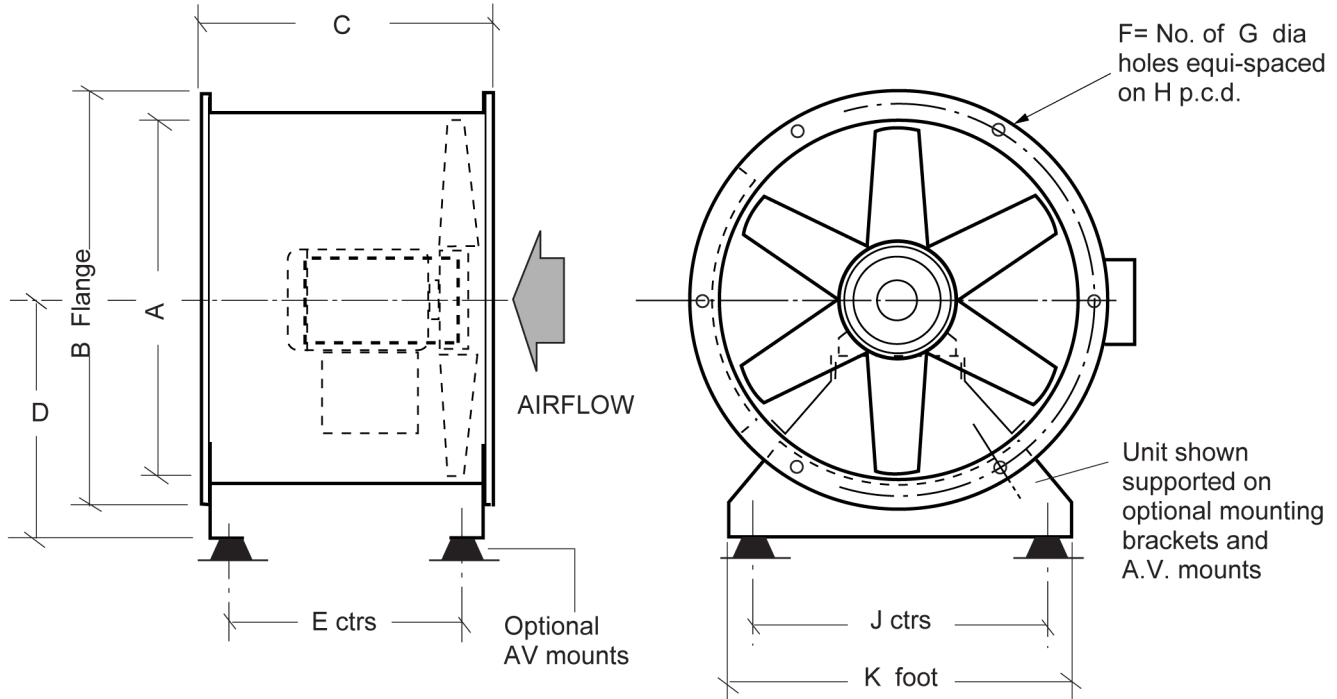
Nuaire International, Western Industrial Estate, Caerphilly, CF83 1NA, United Kingdom.
 Tel:+44 (0)29 2085 8200 Fax:+44 (0)29 2085 8300 email:info@nuairegroup.com

Whilst the information given on this data sheet is fan specific, it is in summary and reference to the product selection catalogue and installation & maintenance documents is recommended.
 This data sheet produced on 31 touko 2013 10:06 using software version 2.6.08 - 12-February-2013

Technical Data

AX - Axus Circular, GRP Blades
 Circular Cased Axial Fan

Fan Code: **AX50B-213I**

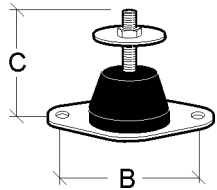


A	B	C	D	E	F	G	H	J	K	kg
500	608	465	340	385	12	12	560	380	430	28

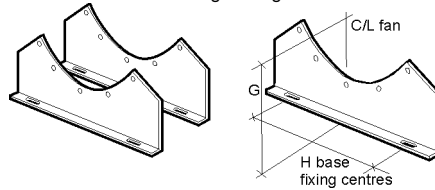
The drawing is for dimensional purposes only. Dimensions in mm.

Ancillary Dimensions

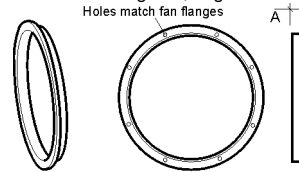
NAV2 - Anti-vibration mounting kit
 B=45 C=75 mm



CMB50 - Mounting bracket (pair)
 G=340 H=380 mm Weight: 4 kg



CMF50 - Matching flange
 A=65 mm Weight: 2,5 kg
 Holes match fan flanges



CFC50 - Flexible connector
 B=150 mm Weight: 1 kg

