

Nuaire International, Western Industrial Estate, Caerphilly, CF83 1NA, United Kingdom.
 Tel:+44 (0)29 2085 8200 Fax:+44 (0)29 2085 8300 email:info@nuairegroup.com

Whilst the information given on this data sheet is fan specific, it is in summary and reference to the product selection catalogue and installation & maintenance documents is recommended.
 This data sheet produced on 31 touko 2013 10:06 using software version 2.6.08 - 12-February-2013

Technical Data

AX - Axus Circular, GRP Blades

Circular Cased Axial Fan

Fan Code: **AX40B-213I**

Installation Manual Links: 671220

Required Duty: 0,6 m³/s @ 400 Pa
 Actual Duty: 0,635 m³/s @ 448 Pa
 Actual at Required Flow: 0,6 m³/s @ 459 Pa

When Speed Controlled to Required Duty (94,5%):

Fan Input Power: 0,472 kW

Motor Input Power: 0,668 kW

Specific Fan Power: 1,1 W/(l/s)

Motor Efficiency: 77 %

Fan Input Power: 0,56 kW

Maximum Fan Input Power: 0,59 kW

Motor Input Power: 0,792 kW

Specific Fan Power: 1,2 W/(l/s)

Nominal Fan Speed: 2 Pole 2 840 RPM

Electrical Supply: 3 Phase

Nominal Motor Rating: 0,75 kW

Motor Current: flc: 1,75 A

Motor Current: sc: 10,15 A

Overload Setting: 1,925 A

[!ElecSpec.7]

Blade Angle: 25 °

Max. Operating Temp.: 55°C

ErP D 2015 Compliant

The following information confirms compliance with EU 327/2011 as required by ErP Directive 2009/125/EC. ONLY APPLICABLE WITHIN EU STATES.

Efficiency Grade: 62

Overall Efficiency: 55.2 %

Measurement Category: D

Efficiency Category: Total

Variable Speed Drive: A variable speed drive must be installed with this fan

Input Power at Best Point: 0.731 kW

Volume Flow at Best Point: 1.262 m³/s

Pressure at Best Point: 231 Pa

Speed: 2840 RPM

Specific Ratio: 1.002287

Sound Data

Acoustic performance to BS848 Part 2.2 and AMCA 300.

Breakout Noise (dBA): 63 dBA @ 3m

Breakout level is spherical. For hemi-spherical add 3 dBA.

Sound Power Levels re 1 pWatts (Hz):

Hz	63	125	250	500	1k	2k	4k	8k
Induct Inlet	94	82	94	88	82	76	71	66
Induct Outlet	90	85	94	94	87	80	71	67
Open Inlet	80	74	90	86	81	76	71	66
Open Outlet	77	78	90	92	86	79	71	67
Breakout	88	78	87	85	73	66	55	44

Noise calculated at actual duty of fan.

Above noise calculated speed controlled to required duty (94,5%)

For 100% Speed: +1 +1 +1 +1 +2 +2 +2 +2

Breakout Noise (dBA): +1

Values shown are for inlet Lw and outlet Lw sound power levels for: Installation Type D: ducted inlet, ducted outlet. Ratings include the effects of duct end correction.

Selected Ancillaries

1 x NAV2

1 x CMB40

2 x CMF40

2 x CFC40

Anti-vibration mounting kit

Mounting bracket (pair)

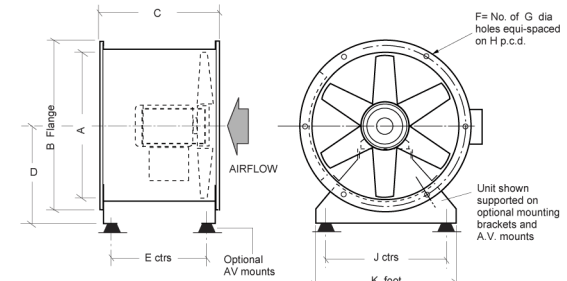
Matching flange

Flexible connector

Specification

Axus circular inline axial flow fan manufactured from pre-galvanized mild steel for sizes 250-1250 diameter. 1400 diameter and above are manufactured from mild steel with hot dip galvanized finish. Fan incorporates inlet and outlet flanges with pre-drilled bolt holes, and an external terminal box to IP55. The motor is totally enclosed and protected to IP55, foot mounted class 'F' insulated and has sealed for life ball bearings. Blades manufactured from injection moulded GRP mounted in a die cast aluminium alloy hub as standard.

Fan Dimensions



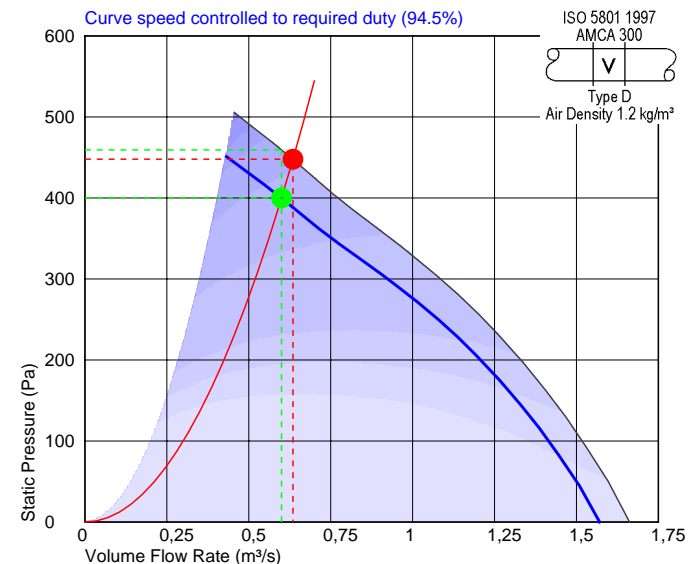
A	B	C	D	E	F	G	H	J	K	kg
400	490	440	270	370	8	12	450	290	340	21

The drawing is for dimensional purposes only. Dimensions in mm.

Wiring Information

For complete wiring details please refer to the Installation & Maintenance Manual reference 671220 on our website.

Performance Curve



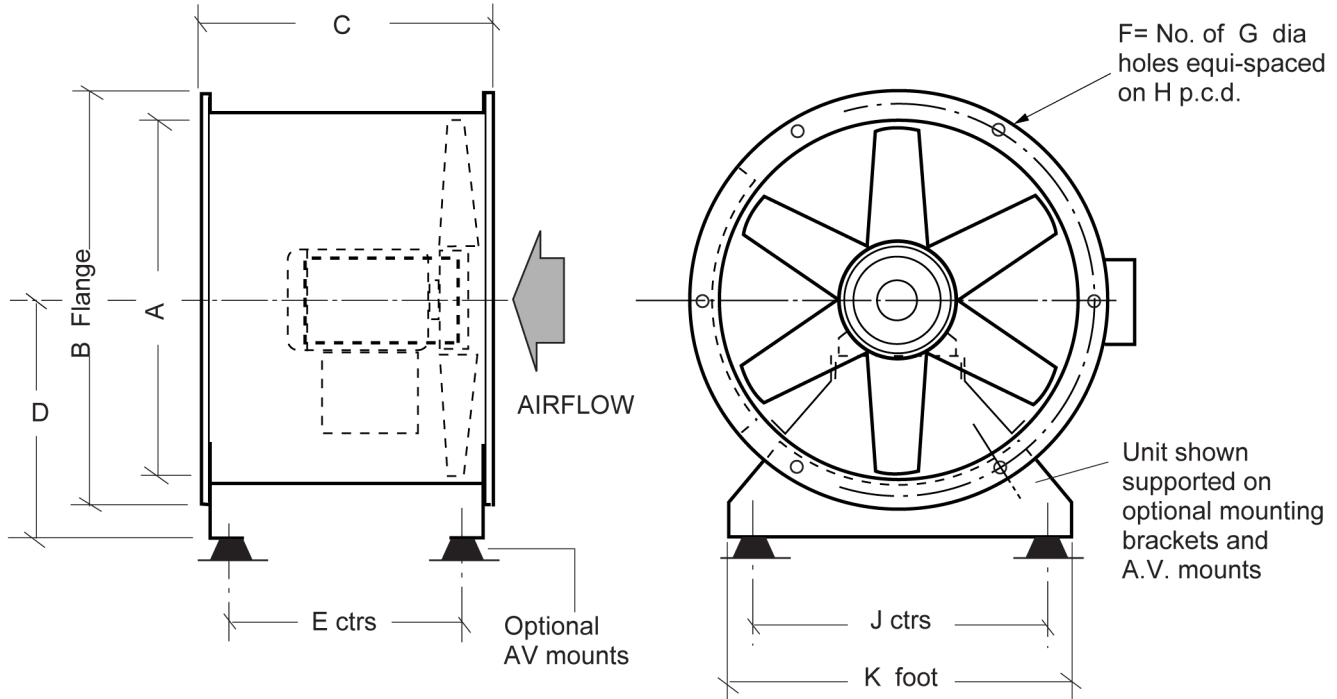
Nuaire International, Western Industrial Estate, Caerphilly, CF83 1NA, United Kingdom.
 Tel:+44 (0)29 2085 8200 Fax:+44 (0)29 2085 8300 email:info@nuairegroup.com

Whilst the information given on this data sheet is fan specific, it is in summary and reference to the product selection catalogue and installation & maintenance documents is recommended.
 This data sheet produced on 31 touko 2013 10:06 using software version 2.6.08 - 12-February-2013

Technical Data

AX - Axus Circular, GRP Blades
 Circular Cased Axial Fan

Fan Code: **AX40B-213I**

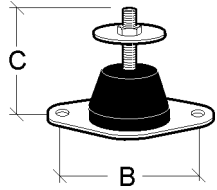


A	B	C	D	E	F	G	H	J	K	kg
400	490	440	270	370	8	12	450	290	340	21

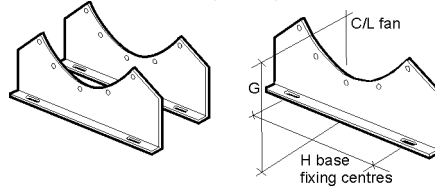
The drawing is for dimensional purposes only. Dimensions in mm.

Ancillary Dimensions

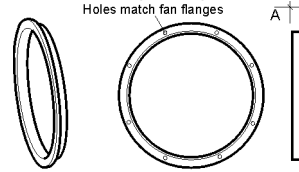
NAV2 - Anti-vibration mounting kit
 B=45 C=75 mm



CMB40 - Mounting bracket (pair)
 G=270 H=290 mm Weight: 2 kg



CMF40 - Matching flange
 A=65 mm Weight: 2 kg
 Holes match fan flanges



CFC40 - Flexible connector
 B=150 mm Weight: 0,5 kg

