

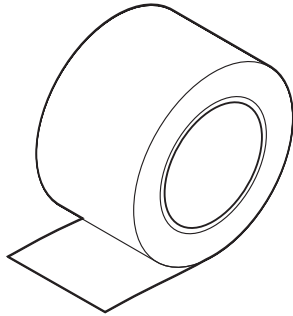
Fixing tapes

Self-adhesive tape for fixing the heating cables on pipes or other equipment.



GT-66 Glass cloth tape for attaching heating cable to pipe. Not for stainless-steel pipes or for installation temperatures below 4.4°C. 20 m per roll, 12 mm width RPN C77220-000

GS-54 Glass cloth tape for attaching heating cable to pipe. For stainless-steel pipes or for any installation below 4.4°C. 16 m per roll, 12 mm width RPN C77221-000

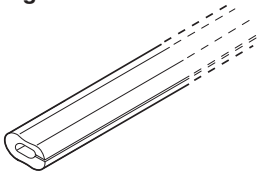


ATE-180 Aluminium tape* for attaching heating cables and thermostat sensors to pipes and tanks. Minimum installation temperature: 0°C 55 m per roll, 63.5 mm width RPN 846243-000

* Power output of selfregulating heating cables might increase when installed with aluminium tape or other heat transfer aids. Please use TraceCalc or contact your Tyco Thermal Controls representative for further details.

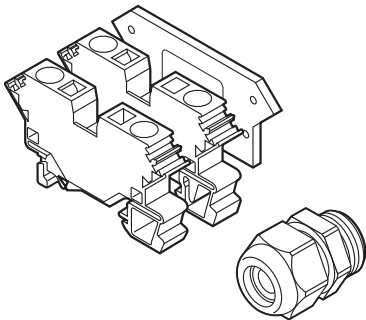
Protective grommet

G-02 Silicone grommet that protects the heating cable at sharp edges such as endplates of insulation cladding, flanges etc. It can be cut-to-length and resists temperatures up to 215°C. RPN 412549-000



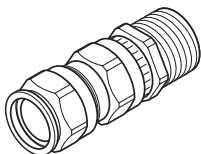
Thermostat kit

HWA-WAGO-TSTAT-KIT Kit with supplementary terminals to connect thermostats of type RAYSTAT-EX-02 to the junction boxes JBS, JBM and JBU. The kit includes 2 terminals WAGO 284 series (1 x L, 1 x PE), 1 power cable gland GL-36-M25, 1 end plate and 1 installation instruction RPN 966659-000

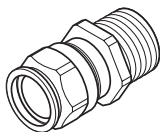


Glands

GL-33 3/4" NPT power cable gland for RAYSTAT-EX-02 (EEx d II C) Nickel plated brass For use with armoured power cables with outer sheath diameter of 12 mm - 21 mm and inner sheath diameter of 8.5 mm - 16 mm RPN 493217-000



GL-34 3/4" NPT power cable gland for RAYSTAT-EX-02 (EEx d II C) Nickel plated brass For use with non-armoured power cables with outer sheath diameter of 8.5 mm - 16 mm. RPN 931945-000



GL-36-M25 M25 power cable gland (EEx e) Polyamide For use with non-armoured power cables with outer diameter range 8 mm - 17 mm Spare part for JBS-100, JBM-100 and JBU-100 RPN 774424-000

