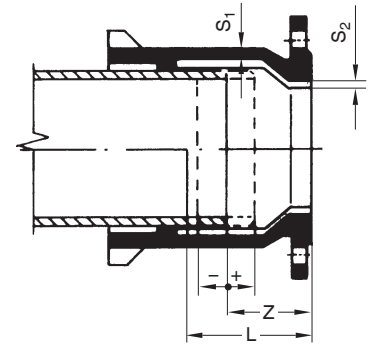
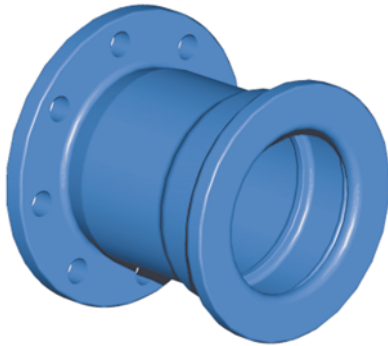


Flanged Sockets, collar-type,
as per DIN EN 545,
EU-pieces,
made of ductile cast iron (nodular cast iron)



Dimensions in mm					Casting Weight in kg ≈						
DN	S ₁	S ₂	L	z	-/+	PN 10 TYT	PN 16 TYT	PN 10 SMU	PN 16 SMU	PN 10 STB	PN 16 STB
80	7.0	4.0	130	86	± 40	7.5	7.5	7.8	7.8		
100	7.2	4.0	130	87		9.1	9.1	9.4	9.4		
125	7.5	4.0	135	91		11.4	11.4	11.5	11.5		
150	7.8	4.0	135	92		15.3	15.3	15.8	15.8		
200	8.4	4.0	140	97		19.8	19.8	20.5	20.5		
250	9.0	4.0	145	102		29.2	29.2	30.0	30.0		
300	9.6	4.0	150	107		36.5	36.0	37.5	37.0		
350	10.2	5.0	155	112		43.0	46.0				
400	10.8	5.0	160	117		52.1	57.1	56.0	61.0		
500	12.0	5.0	170	127		74.8	89.8			78.5	93.0
600	13.2	5.0	180	137		104.1	128.1			108.0	135.1
700	14.4	6.0	190	147		140.2	154.2				
800	15.6	6.0	200	157		189.2	208.2				
900*	16.8	6.0	210	167		257.2	280.2				
1000	18.0	6.0	220	177		317.1	348.1				
1200*	20.4	6.0	240	197		437.6	499.6				

- * upon request
- z nominal dimension for installation
- /+ push-in length difference
- S₁ casting wall thickness
- S₂ cement mortar coat thickness

Surface protection:

- Epoxy-resin powder coating as per DIN EN 14901 / DIN 3476 with a minimum coat thickness of > 250 µm
- Cement mortar internal coating
- Internal enamelling as per DIN 3475 or all-round enamelling, resp.
- Fria-zink coating upon request

TYT – Tyton® socket as per DIN 28603
SMU – Screw socket as per DIN 28601

Further pressure stages upon request.