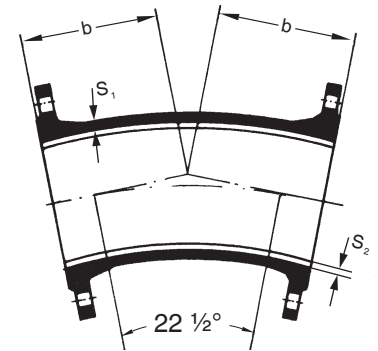




22 ½° Double-Flanged Bends
 as per DIN EN 545,
 22 ½° FFK-pieces,
 made of ductile cast iron (nodular cast iron)



DN	Dimensions in mm			Casting Weight in kg ≈			
	b	S ₁	S ₂	PN 10	PN 16	PN 25	PN 40
40*	140			7.0	7.0	7.0	7.0
50*	150			9.0	9.0	9.0	9.0
65*	165			12.0	12.0	12.0	12.0
80	130	7.0	4.0	9.5	9.5	9.5*	9.5*
100	140	7.5	4.0	11.9	11.9	12.9*	12.9*
125	150	7.5	4.0	15.3	15.3	17.8	20.5
150	160	7.8	4.0	19.7	19.7	21.5*	25.5*
200	180	8.4	4.0	29.0	27.5	32.5	42.0
250	210	9.0	4.0	41.5	41.0	48.0*	65.5*
300	255	9.6	4.0	60.0	59.0	69.5*	96.5*
350*	140	10.2	5.0	58.0	64.0	81.0	
400	153	10.8	5.0	67.0	75.5	98.0	
500	185	12.0	5.0	99.0	127.0	148.0*	
600	254	13.2	5.0	182.0	227.0	248.0*	
700*	284	14.4	6.0	313.0	339.0	334.0	
800*	314	15.6	6.0	428.0	464.0	445.0	
900*	375	16.8	6.0	442.0	437.0	554.0	
1000*	410	18.0	6.0	587.0	581.0	758.0	
1200*	393	20.4	6.0	785.0	875.0		

- * upon request
- S₁ casting wall thickness
- S₂ cement mortar coat thickness

Surface protection:

- Epoxy-resin powder coating as per DIN EN 14901 / DIN 3476 with a minimum coat thickness of > 250 µm
- Cement mortar internal coating
- Internal enamelling as per DIN 3475 or all-round enamelling, resp.
- Friaizink coating upon request