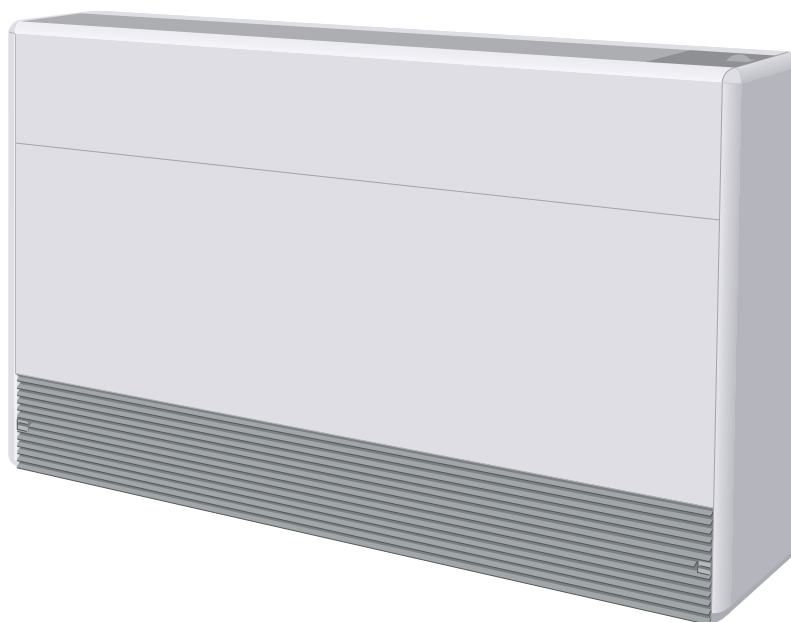


CSCF 208 LL
CSCF 308 LL
CSCF 408 LL

TAF - L



TAF 208 L
TAF 308 L
TAF 408 L

**ENSEMBLE DE RÉFRIGÉRATION SPLIT CONSOLE
POUR LOCAUX BASSE TEMPÉRATURE**

**SPLIT CONSOLE REFRIGERATION SYSTEM FOR
LOW TEMPERATURE ROOMS**

**GRUPPO DI REFRIGERAZIONE SPLIT A CONSOLE PER
LOCALI A BASSA TEMPERATURA**

**CONJUNTO DE REFRIGERACIÓN SPLIT CONSOLA PARA
LOCALES DE BAJA TEMPERATURA**

**SPLIT-KÜHLAGGREGAT FÜR RÄUME MIT NIEDRIGER
RAUMTEMPERATUR**

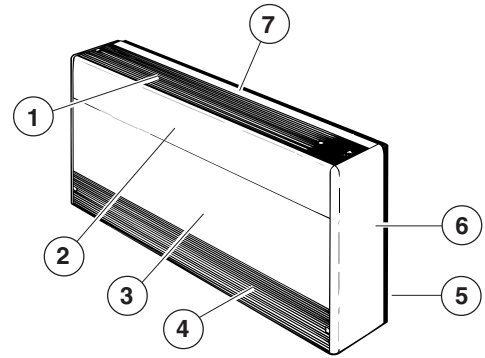
1 - PRESENTATION

GB

- 1 - Discharge grille.
- 2 - Removable panel.
- 3 - Front panel.
- 4 - Inlet grille.
- 5 - Rear support.
- 6 - Side.
- 7 - Fixed panel.

Materials :

Plastic coated sheet body.
Steel grids.
Polythene insulation.
Copper/aluminium exchanger.
Copper piping.



2 - INSTALLATION LOCATION

- It is recommended that the air-conditioning unit be installed by a qualified technician, and in compliance with the installation instructions supplied with the unit and as per all regulations in force and the code of practice.

CAUTION

- Do not install the unit in room in which gaseous fumes or flammable gases are present, nor in rooms subject to high levels of condensation or where the unit may be subjected to water spray.
- Do not install the air conditioner in places where there are appliances producing excessive heat.

3 - SAFETY INSTRUCTIONS

- Read this manual carefully before using the air conditioner for the first time. If you have any doubts or problems, consult the dealer or the authorised After-Sales Department.
- This unit was designed to provide "low temperature" air-conditioning (between 12°C and 18°C). Only use it for the purpose for which it was designed and according to the instructions indicated in this manual.

CAUTION

- Never use or store petrol or any other flammable liquid near the air conditioner. This would be extremely dangerous.

PRECAUTIONS

- Do not switch the air conditioner on or off using the main switch. Use only the on/off switch (I / 0).
- Do not put anything into the air conditioner's air inlet. Do not block the unit's air intake and outlet grilles.

4 - MAINTENANCE AND CLEANING

CAUTION

- For safety reasons : switch off the air conditioner and disconnect from the mains before starting cleaning (see paragraph 1).
- Do not pour water onto the appliance to clean it. This could damage the internal components and cause electrical discharges.

FRAME AND GRILLE

- Clean the frame and the grille of the appliance with a vacuum cleaner brush or with a soft, clean cloth.
If these parts are dirty, clean them with a clean cloth moistened with a mild liquid detergent.
When cleaning the grille, be careful not to change the position of the fins by rubbing them.

PRECAUTIONS

- Never use solvents or powerful chemicals. Do not clean with very hot water.
- Some metal edges and the fins on the heat exchanger are sharp and must be handled carefully during cleaning to prevent injury.

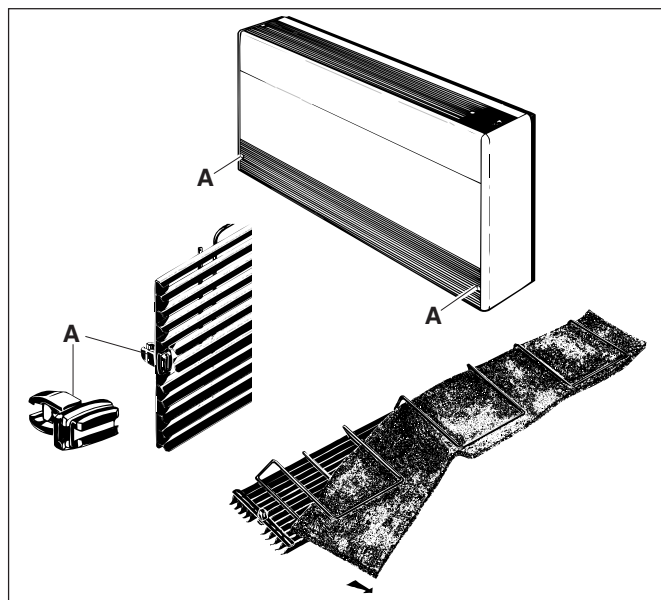
GENERAL MAINTENANCE:

All equipment must be properly maintained in order to provide optimum performance over time. Faulty maintenance can result in the cancellation of the product guaranty. Depending on the products, maintenance operations consist in the cleaning of filters (air, water), internal and external exchangers, casings, and the cleaning and protection of condensate tanks. Treating odours and the disinfection of room surfaces and volumes also contributes to the cleanliness of the air breathed by users.

5 - AIR FILTER

FILTER:

- If the air conditioner is to operate satisfactorily, the air filter must be cleaned regularly. To do this, remove the inlet grille at the bottom of the unit and proceed as follows :
 - Unlock the two clips (A) holding the grille by rotating them through a quarter turn using a screwdriver or coin.
 - Remove the grille by pulling it forward.
 - Take out the filter and wash it in warm soapy water or use a vacuum cleaner.
 - Replace the filter behind the grille and refit the grille, locking the clips by rotating them through a quarter turn.



6 - TROUBLESHOOTING GUIDE

- If the air conditioner is not working properly, carry out the following checks before calling the After-Sales Department.
- If the problem persists, contact the dealer or the After-Sales Department.

PROBLEMS	POSSIBLE CAUSES	SOLUTIONS
<ul style="list-style-type: none"> • The air conditioner is not operating at all (the fan never comes on). 	<ol style="list-style-type: none"> 1 - Power cut. 2 - Circuit-breaker thrown or fuse blown. 3 - Line voltage too low. 4 - The switch is on "0" (off). 	<ol style="list-style-type: none"> 1 - Restore the supply. 2 - Contact the After-Sales Department. 3 - Contact the After-Sales Department. 4 - Put the switch on "I" (on).
<ul style="list-style-type: none"> • Insufficient cooling or heating. 	<ol style="list-style-type: none"> 1 - Air filter dirty or blocked. 2 - Heat source or too many people in the room. 3 - Doors and/or windows open. 4 - Obstacle in front of the air inlet or outlet. 5 - The thermostat is set too high for cooling or too low for heating. 6 - The manual reset safety thermostat has tripped. 	<ol style="list-style-type: none"> 1 - Clean the air filter. 2 - If possible, eliminate the heat source. 3 - Close them to prevent outside air entering. 4 - Remove the obstacle in order to provide good air circulation. 5 - Set the temperature lower (or higher). 6 - Check that air circulates properly inside the unit. Reset the thermostat. If the problem continues, consult the After-Sales Service Department.
<ul style="list-style-type: none"> • Compressor runs but soon stops. 	<ul style="list-style-type: none"> - Obstruction in front of condenser coil. 	<ul style="list-style-type: none"> - Remove obstruction.

F

MARQUAGE CE

Ce produit marqué CE est conforme aux exigences essentielles des Directives :

- Basse Tension n° 2006/95/CE.
- Compatibilité Électromagnétique n° 2004/108/CE.



GB

I

E

D



REMARQUE : Ce symbole et ce système de recyclage s'appliquent uniquement aux pays de l'UE. Ils ne s'appliquent pas aux pays des autres régions du monde.

Votre produit est conçu et fabriqué avec des matériels et des composants de qualité supérieure qui peuvent être recyclés et réutilisés.

Ce symbole signifie que les équipements électriques et électroniques en fin de vie doivent être éliminés séparément des ordures ménagères.

Nous vous prions donc de confier cet équipement à votre centre local de collecte / recyclage.

Dans l'Union Européenne, il existe des systèmes sélectifs de collecte pour les produits électriques et électroniques usagés. Aidez-nous à conserver l'environnement dans lequel nous vivons !

MARKING CE

This product marked CE conforms to the essential requirements of the Directives:

- Low voltage no. 2006/95/EC.
- Electromagnetic Compatibility no. 2004/108/EC.



NOTE: This symbol mark and recycle system are applied only to EU countries and not applied to the countries in the other area of the world.

Your product is designed and manufactured with high quality materials and components which can be recycled and reused. This symbol means that electrical and electronic equipment, at their end-of-life, should be disposed separately from your household waste.

Please dispose of this equipment at your local community waste collection / recycling centre.

In the European Union there are separate collection systems for used electrical and electronic products.

Please help us to conserve the environment we live in!

MARCATURA CE

Questo prodotto, marcato CE è conforme ai requisiti essenziali delle Direttive :

- Bassa Tensione n. 2006/95/CE.
- Compatibilità Elettromagnetica n. 2004/108/CE.



NOTA : Questo simbolo e il sistema di riciclaggio sono validi soltanto per i paesi dell'Unione Europea e non sono validi per i paesi nel resto del mondo.

Il vostro prodotto è stato costruito da materiali e componenti di alta qualità, che sono riutilizzabili o riciclabili.


Prodotti elettrici ed elettronici che riportano questo simbolo alla fine della loro vita utile devono essere smaltiti separatamente dai rifiuti domestici.

Vi preghiamo di smaltire questo apparecchio in un centro di raccolta differenziata locale.

Nell'Unione Europea esistono sistemi di raccolta differenziata per prodotti elettrici ed elettronici.

Aiutateci a conservare l'ambiente in cui viviamo!

MARCAJE

Este producto marcado  está en conformidad con las exigencias esenciales de las Directivas :

- Baja Tensión nº 2006/95/CE.
- Compatibilidad Electromagnética nº 2004/108/CE.



F

GB

I

E

D



NOTA : Este símbolo y el sistema de reciclaje solamente son para países de la UE y no son aplicables a países de otras áreas del mundo.

Los productos están diseñados y fabricados con materiales y componentes de alta calidad, que pueden ser reciclados y reutilizados.

Este símbolo significa que el equipo eléctrico y electrónico, al final de su ciclo de vida, no se debe desechar con el resto de residuos domésticos.

Por favor, deposite su viejo "aparato" en el punto de recogida de residuos o contacte con su administración local.

En la Unión Europea existen sistemas de recogida específicos para residuos de aparatos eléctricos y electrónicos.

Por favor, ayúdenos a conservar el medio ambiente!

- BEZEICHNUNG

Dieses Gerät trägt das  Kennzeichen und entspricht den wesentlichen Bestimmungen der EG-Richtlinien:

- Niederspannungsrichtlinie 2006/95/EG.
- Elektromagnetische Verträglichkeit 2004/108/EG.



HINWEIS: Dieses Symbol und Recycle-System gelten nur für Länder der Europäischen Union, nicht für andere Länder der Welt.

Ihr Produkt wurde entworfen und hergestellt mit qualitativ hochwertigen Materialien und Komponenten, die recycelt und wiederverwendet werden können.

Dieses Symbol bedeutet, daß elektrische und elektronische Geräte am Ende ihrer Nutzungsdauer von Hausmüll getrennt entsorgt werden sollen.

Bitte entsorgen Sie dieses Gerät bei Ihrer örtlichen kommunalen Sammelstelle oder im Recycling Centre.

In der Europäischen Union gibt es unterschiedliche Sammelsysteme für Elektrik- und Elektronikgeräte.

Helfen Sie uns bitte, die Umwelt zu erhalten, in der wir leben!

F

GB

I

E

D



Par souci d'amélioration constante, nos produits peuvent être modifiés sans préavis.
Due to our policy of continuous development, our products are liable to modification without notice.
Per garantire un costante miglioramento dei nostri prodotti, ci riserviamo di modificarli senza preavviso.
En el interés de mejoras constantes, nuestros productos pueden modificarse sin aviso previo.
Unsere Produkte werden laufend verbessert und können ohne Vorankündigung abgeändert werden.

Technibel

Z.I. Route départementale 28

CS 40131 Reyrieux

01601 TRÉVOUX Cedex FRANCE

Tél. 04 74 00 92 92 - Fax 04 74 00 42 00

Tel. 33 4 74 00 92 92 - Fax 33 4 74 00 42 00

R.C.S. Bourg-en-Bresse B 759 200 728