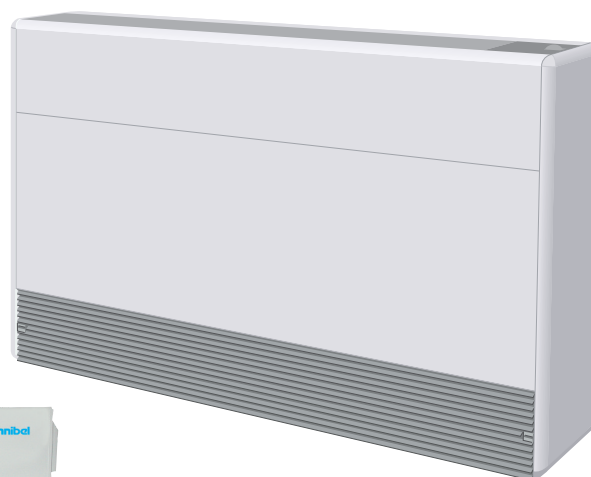
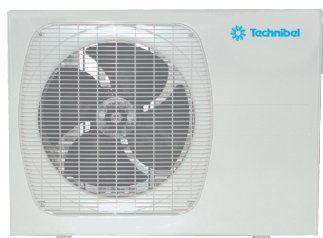


(Etiquette signalétique)

## CSCF - LL

CSCF 208 LL  
CSCF 308 LL  
CSCF 408 LL



**ENSEMBLE DE RÉFRIGÉRATION SPLIT CONSOLE  
POUR LOCAUX BASSE TEMPÉRATURE**

*Fluide réfrigérant R 410 A*

**SPLIT CONSOLE REFRIGERATION SYSTEM  
FOR LOW TEMPERATURE ROOMS**

*R 410 A refrigerant*

**GRUPPO DI REFRIGERAZIONE SPLIT A CONSOLE  
PER LOCALI A BASSA TEMPERATURA**

*Fluido refrigerante R 410 A*


**CONJUNTO DE REFRIGERACIÓN SPLIT CONSOLA  
PARA LOCALES DE BAJA TEMPERATURA**

*Fluido refrigerante R 410 A*

**SPLIT-KÜHLAGGREGAT FÜR RÄUME  
MIT NIEDRIGER RAUMTEMPERATUR**

*Kältemittel R 410 A*

## MARKING

This product marked  conforms to the essential requirements of the Directives:

- Low voltage no. 2006/95/EC.
- Electromagnetic Compatibility no. 2004/108/EC.



NOTE: This symbol mark and recycle system are applied only to EU countries and not applied to the countries in the other area of the world.

Your product is designed and manufactured with high quality materials and components which can be recycled and reused. This symbol means that electrical and electronic equipment, at their end-of-life, should be disposed separately from your household waste.

Please dispose of this equipment at your local community waste collection / recycling centre.

In the European Union there are separate collection systems for used electrical and electronic products.

Please help us to conserve the environment we live in!

## SUMMARY

1 - General	2
2 - Presentation	3
3 - Installation of the units	4
4 - Connections	6
5 - Indoor unit accessories	9
6 - Accessories of the outdoor unit	11
7 - Starting	12
8 - Maintenance instructions	12
9 - Wiring diagrams	13

### NOTE

- TAF-L can be connected to the following condensing units using **R 410 A** coolant:

TAF 208 L → GRF 98 L

TAF 308 L → GRF 128 L

TAF 408 L → GRF 188 L

## 1 - GENERAL

- The equipment must be installed, started-up and maintained by authorised and qualified personnel, in accordance with local rules and professional standards.

### 1.1 - GENERAL SUPPLY CONDITIONS

- Generally speaking, the material is transported at the consignee's risk.
- The consignee must immediately provide the carrier with written reserves if he finds any damage caused during transport.

### 1.2 - VOLTAGE

- Prior to any operation, check that the voltage specified nameplate agrees with the supply voltage.

### 1.3 - USE OF EQUIPMENT

- This unit is designed for "low temperature" air conditioning (between 12° C and 18° C) for wine cellars, florist flower storage, trash facilities, etc...

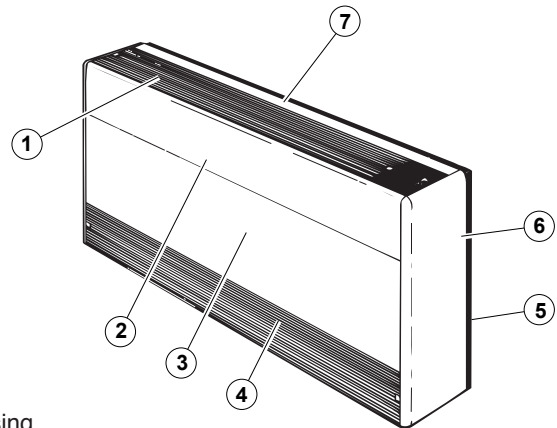
## 2 - PRESENTATION

### 2.1 - DESCRIPTION

#### 2.1.1 - INDOOR UNIT - TAF

- 1 - Outlet grille.
- 2 - Removable panel.
- 3 - Front panel.
- 4 - Inlet grille.
- 5 - Rear support.
- 6 - Door.
- 7 - Fixed panel.

TAF 208 L  
TAF 308 L  
TAF 408 L



#### Materials:

- Plastic coated sheet casing.
- Metal grilles.
- Polyethylene insulation M1.
- Copper/aluminium exchanger.
- Copper piping.

#### Note:

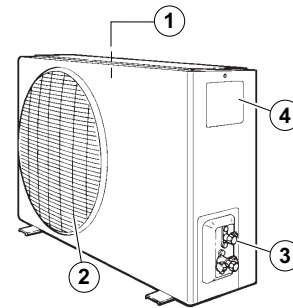
The refrigerant connections are on the left of the unit, inside the housing.

#### 2.1.2 - OUTDOOR UNIT - GRF

**GRF-L:** Low temperature version. Use up to -15° C min. / 43° C max. outdoor temperature.

- 1 - Air inlet (suction).
- 2 - Fan grille.
- 3 - Refrigerant connection.
- 4 - Electrical connection.

GRF 98 L  
GRF 128 L  
GRF 188 L



#### Materials:

- Painted sheet casing.
- Plastic grille.
- Copper piping.
- Copper/aluminium exchanger.

### 2.2 - WEIGHT

Unit	Net weight	Packed weight
TAF 208 L	37 kg	43 kg
TAF 308 L	42 kg	49 kg
TAF 408 L	45 kg	52 kg

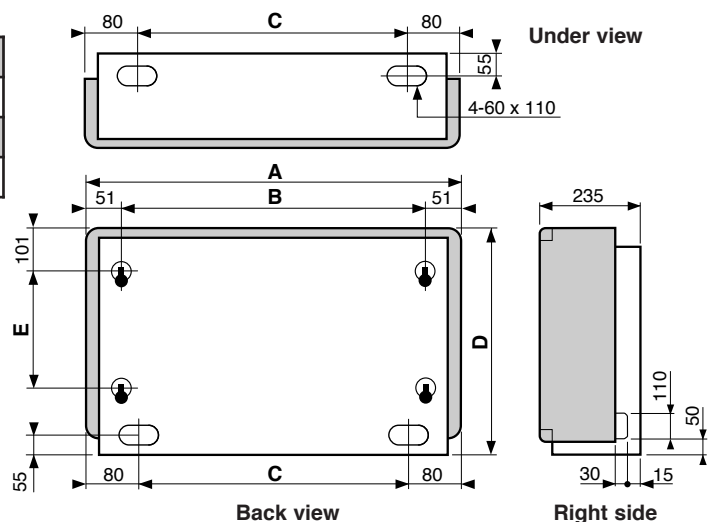
Unit	Net weight	Packed weight
GRF 98 L	34 kg	37 kg
GRF 128 L	34 kg	37 kg
GRF 188 L	55 kg	60 kg

### 2.3 - DIMENSIONS

#### 2.3.1 - INDOOR UNIT - TAF

Unit	A (mm)	B (mm)	C (mm)	D (mm)	E (mm)
TAF 208 L	950	850	790	600	310
TAF 308 L	1,140	1,040	980	600	310
TAF 408 L	1,260	1,160	1,100	600	310

Unit	Packed Unit (mm)		
	Length	Height	Depth
TAF 208 L	1,010	650	295
TAF 308 L	1,200	650	295
TAF 408 L	1,320	650	295

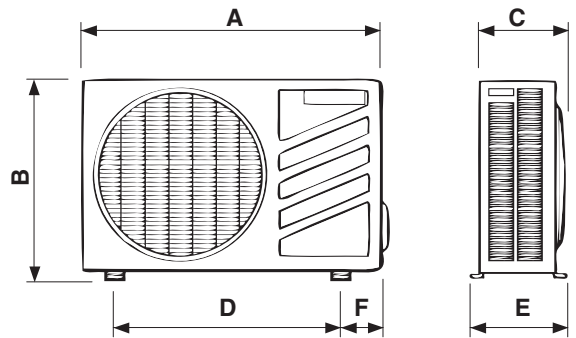


## 2.3.2 - OUTDOOR UNIT - GRF

GB

Unit	A (mm)	B (mm)	C (mm)	D (mm)	E (mm)	F (mm)
GRF 98 L	700	540	265	470	294	116
GRF 128 L	700	540	265	470	294	116
GRF 188 L	830	630	305	538	307	146

Unit	Packed Unit (mm)		
	Length	Height	Depth
GRF 98 L	815	568	343
GRF 128 L	815	568	343
GRF 188 L	971	690	388



## 3 - INSTALLATION OF THE UNITS

### 3.1 - INSTALLATION OF THE INDOOR UNIT

- It is preferable to handle the air handler without its cabinet, when installing it.
- If necessary, remove the fan assembly too.

#### 3.1.1 - REMOVING THE CABINET

- Undo the 2 knurled screws (B) and the 2 tinsmith's screws (C).
- Remove the cabinet by lifting it slightly and pulling it forwards.

**NOTE:** To make the cabinet easier to handle, the outlet grille (1) and the inlet grille (4) can be removed beforehand. To do this, undo the clips (A) by turning them a quarter of a turn using a screwdriver or a coin.

**IMPORTANT:** When refitting the grilles, take care to lock the clips (A) by turning them a quarter of a turn.

#### 3.1.2 - REMOVING THE FAN ASSEMBLY

- Remove the fastening screws.
- Disconnect the loom at connector (D).
- Pull the fan assembly.

#### 3.1.3 - CHOOSING THE LOCATION

##### AVOID:

- Putting the unit in very damp places. This unit is designed to be installed in sheltered rooms (IP 20).
- Direct exposure to sunlight or the proximity of heat sources.
- Installing the unit behind curtains or furniture which could prevent air circulation.
- Installing the device near inflammable materials (as it can be equipped with an electric heater).

##### MAKE SURE THAT:

- The position is the best one for providing good ventilation in the room.
- That the solidity of the support is adequate for the weight of the unit and does not cause vibrations.
- The position chosen complies with the recommended minimum maintenance spaces (see drawing opposite), and that the distance and difference in level between the units are as small as possible.
- The piping and the electric connections are easily accessible.

#### 3.1.4 - MOUNTING

- The system can be placed on the floor or fixed to the wall or ceiling.
- It **must be** fitted flush against a wall in all cases.
- For wall or ceiling mounting, refer to the Accessories section for the supports which can be used.

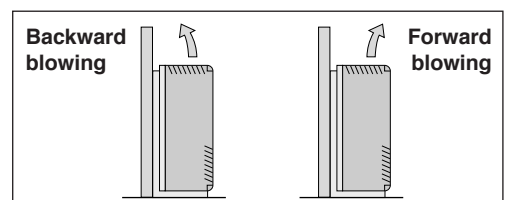
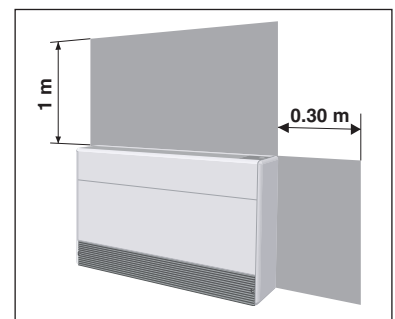
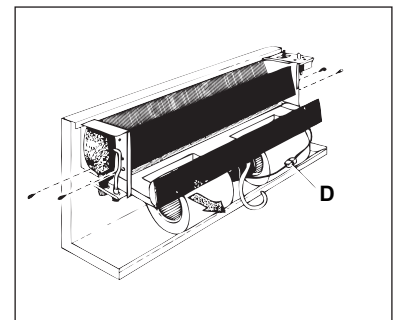
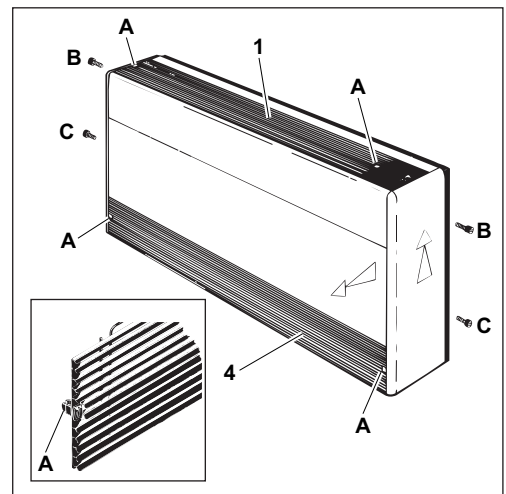
#### 3.1.5 - CHOOSING THE BLOWING DIRECTION

##### A - STANDARD DELIVERY

- Vertical backward blowing.

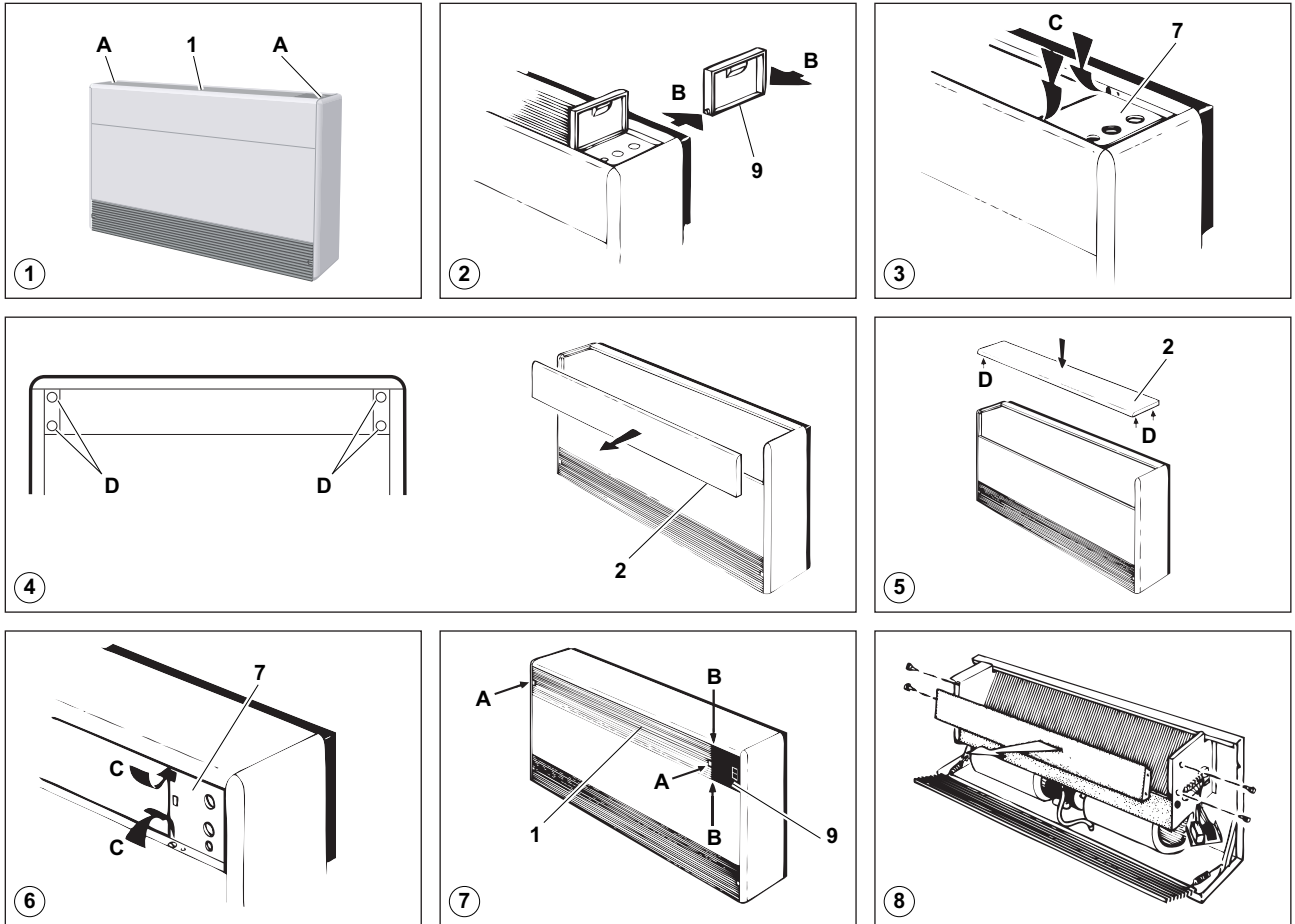
##### B - FORWARD BLOWING:

- Turn the grille 180° (see "Removal" page 5).



**3.1.6 - HORIZONTAL BLOWING**

- Remove the cabinet (see page 4).
- 1 - Remove the outlet grille (1): undo the two clips (A) by turning them a quarter of a turn (using a screw driver or a coin).
- 2 - Remove the door (9) by pressing on the side to release the hinge pin (B).
- 3 - Remove the control panel (7) by taking out the two fastening screws (C).
- 4 - Remove the removable panel (2) by taking out the four fastening screws (D).
- 5 - Refit the removable panel (2) on the top and fix it with the four screws (D).
- 6 - Refit the control panel (7) on the front part and fix it with the two screws (C).
- 7 - Refit the door (9) by pressing on the side to engage the hinge pin (B) in the hole.  
Refit the outlet grille (1) and lock the two clips (A) by turning them a quarter of a turn.
- 8 - Remove the ceiling tray held by 4 screws.



**3.2 - INSTALLATION OF THE OUTDOOR UNIT**

- Safety index: IP x 4.

**3.2.1 - WALL MOUNTING**

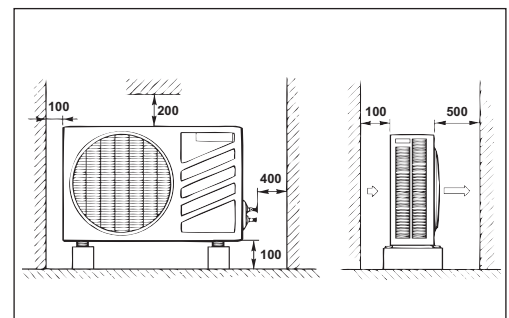
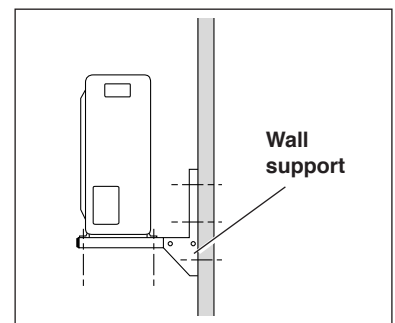
- Use the wall support available as an accessory (see drawing opposite):
  - code K 70 U 001 T for GRF 98 L and 128 L,
  - code K 60 U 035 T for GRF 188 L.

**3.2.2 - FLOOR MOUNTING**

- Select the location for the unit on the basis of the following criteria:
  - the unit must be installed outside,
  - it is necessary to make sure that the free space around the unit is provided (see the minimum dimensions on the drawing below),
  - installation must be simple and make maintenance work easy,
  - the unit must be fixed on a hard base and must be protected from risks of flooding,
  - the blown air must not be directed towards surrounding windows,
  - vibrations and noise must not be transmitted to a nearby building.

**AVOID:**

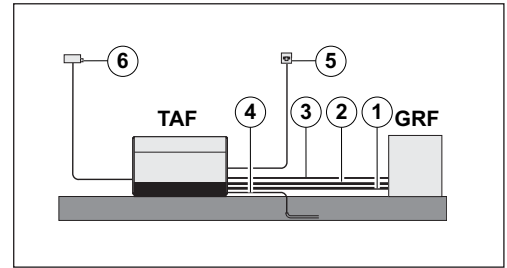
- Excessive exposure to salty air or sulfuric gas.
- Heat sources and extraction fans.
- Projections of mud (next to a roadway or path, for example).
- Areas where there is strong wind blowing against the unit's air exhaust.



## 4 - CONNECTIONS

GB

- 1 - Gas refrigerant connection.
- 2 - Liquid refrigerant connection.
- 3 - Electrical connection.
- 4 - Condensate drainage.
- 5 - Mains supply with isolating and protective device.
- 6 - Remote control (accessory).



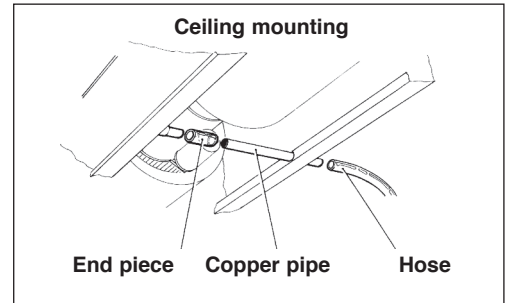
### 4.1 - CONNECTION OF THE CONDENSATE LINES

#### 4.1.1 - VERTICAL MOUNTING

- Use the 12 mm dia. x 16 mm hose supplied.
- Pass it with refrigerant pipes through one of the covers and connect it to a pipe of minimum internal diameter 12 mm, respecting a slope in the liquid's flow direction.

#### 4.1.2 - CEILING MOUNTING

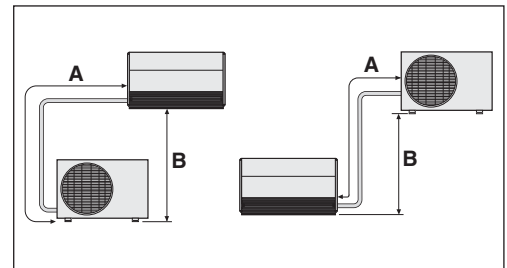
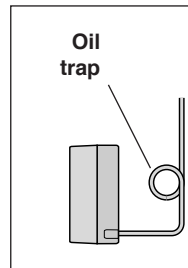
- Use the copper pipe and the end piece supplied.



### 4.2 - REFRIGERANT CONNECTION

- If the difference in level is greater than 3 metres, make an oil trap.

**NOTE:** Nominal cooling capacity is given for a total pipe length of 7.50 m.



Unit	Ø of pipes		Maximum permissible length A (m)	Maximum permissible difference in level B (m)	Refrigerant load in the GRF (g)	Quantity of refrigerant to be added up to 7.50 m (g)	Quantity of refrigerant to be added beyond 7.50 m (g/m)
	Gas	Liquid					
CSCF 208 LL	3/8"	1/4"	15	7	770	90	15
CSCF 308 LL	1/2"	1/4"	20	7	790	100	20
CSCF 408 LL	1/2"	1/4"	20	15	1,260	130	20

### APPLIANCES FILLED WITH R 410 A

#### R 410 A

- R 410 A is a high-pressure refrigerant (+ 50% in relation to R 22 and R 407 C).
- The compressors approved for operation with this fluid are filled beforehand with polyvinyl ether oil.

#### MAINTENANCE INSTRUCTIONS

- 1 - Never add oil to the appliance; the compressor is filled with polyvinyl ether (PVE) oil, a special oil which cannot tolerate the presence of other oils.
- 2 - The instruments used for:
  - filling,
  - pressure measurements,
  - emptying under vacuum,
  - recovering the fluid,
 must be compatible and only used for the R 410 A fluid.  
 Note: the pressure taps of the refrigerating circuit are 5/16 SAE (1/2 - 20 - UNF).
- 3 - In the case of a new charge:
  - The charge **must** be undertaken in liquid phase.
  - Use a balance and a dip pipe type R 410 A cylinder.

- Charge the weight of R 410 A as per the value indicated on the unit's identification plate (for "split systems", refer to the installation instructions as the charge must consider the length of the connecting lines).

- 4 - In case of leakage, do not complete the charge: recover the remaining refrigerant for recycling and perform a total charge.  
 Recovery, recycling or the destruction of the fluid must be done in compliance with the laws in force in the country concerned.
- 5 - If the refrigerant circuit is opened, you must:
  - Avoid the entry of air into the circuit as much as possible.
  - Replace or install a drier.
  - Perform the "vacuum operation" at a minimum level of **0.3 mbar (static)**.
- 6 - Do not release R 410 A fluid into the atmosphere. This fluid is a fluorinated greenhouse gases, covered by the Kyoto Protocol with a Global Warming Potential (GWP) = 1975 - (CE Directive 842 / 2006).

**4.2.1 - INSULATION OF PIPES**

- Insulate the 2 tubes separately.
- Use polyethylene sheathing at least 8 mm thick.
- Pay particular attention to water entering along the pipes through the wall.

**4.2.2 - CONNECTION TO THE INDOOR UNIT**

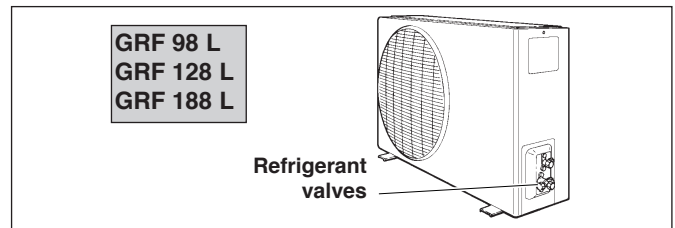
- According to the side for pipe passage, knock out one cap. Protect the pipes passage from metal sheet edge using the rubber seal supplied or the rubber profile supplied. For sides outlet, the rubber seal has to be cut in 2 parts, as well as the top of it.
- Connect the gas and liquid tubes on the corresponding Flare connectors.
- Screw up by hand.
- Tighten using torque wrenches (to torques shown in the adjacent table).
- **Caution: hold the FLARE coupling tight using a wrench.**

Ø of pipes	Tightening torque
1/4"	1 kgf-m
3/8"	3 kgf-m
1/2"	5 kgf-m

**4.2.3 - CONNECTION T(HE OUTDOOR UNIT**

- Connect the gas and liquid tubes on the corresponding Flare valves.
- Screw up by hand.
- Tighten using torque wrenches (to torques shown in the table below).

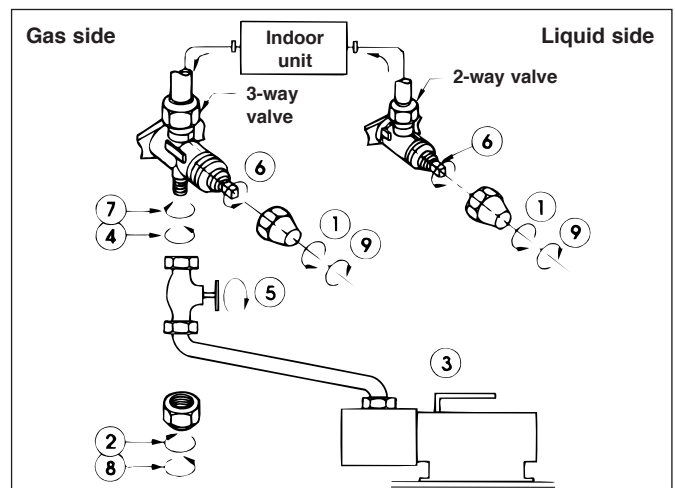
Ø of pipes	Tightening torque
1/4"	1.5 ~ 2 kgf-m
3/8"	3 ~ 4 kgf-m
1/2"	4.5 ~ 5.5 kgf-m



**4.2.4 - USING THE FLARE VALVE**

- After completing the connection to the internal and external units, the connections and internal unit must be bled.
- Proceed as indicated below:
  - 1 - Remove the valve covers.
  - 2 - Remove the vacuum tap cover.
  - 3 - Connect the vacuum pump.
  - 4 - We recommend that you add a stop valve.
  - 5 - After drawing the vacuum, close the stop valve.
  - 6 - Fully open the two valves.
  - 7 - Remove the vacuum pump and the stop valve.
  - 8 - Screw in the cover on the vacuum tap.
  - 9 - Screw up the valve covers.
  - 10 - Add refrigerant gas if necessary (see paragraph 4.2).

**Note:** Refrigerant and electrical lines can be supplied as accessories (see accessories chapter).



**4.3 - ELECTRICAL CONNECTION**

**NOTES:**

- Class 1 appliance.
- The electrical connection conduits must be fixed.
- The electrical installation must be carried out in compliance with the rules in force (especially NFC 15-100 ≈ CEI 364).
- The cables are not included in the supplies.

**MAINS SUPPLY**

- The electrical power supply must be safeguarded by a protection device and disconnect switch (not supplied) in accordance with existing regulations, and is connected to the internal unit (see the connection diagrams below). The power supply is connected on the indoor unit for models 208 and 308 and on the outdoor unit for model 408 (see wiring diagram, page 8).
- The acceptable voltage variation is ± 10% during operation.

**4.3.1 - CONNECTION CABLES**

**A - STANDARD INSTALLATION WITH THERMOSTAT CONTROL**

**Mains power cable:**

- In 230V/1/50Hz : 3 G 2.5 mm<sup>2</sup>.
- In 400V/3N/50Hz : 5 G 2.5 mm<sup>2</sup>.

**Connection cable between the units (TAF/GRF)**

- Use a cable of section equivalent to that of the mains power cable.

**B - INSTALLATION WITH HYGROTHERMOSTAT CONTROL**

In this case, the chiller and the electric heating may operate at the same time (dehumidification).

**Mains power cable**

- In 230V/1/50Hz : 3 G 2.5 mm<sup>2</sup> for CSCF 208 LL,  
3 G 4 mm<sup>2</sup> for CSCF 308 and 408 LL.
- In 400V/3N/50Hz : 5 G 2.5 mm<sup>2</sup> for CSCF 408 LL.

**Connection cable between the units (TAF/GRF)**

- Use a cable of section equivalent to that of the mains power cable.

**NOTE**

The sections are given as an indication only.  
They must be checked and adapted to suit the installation conditions according to existing standards.

**4.3.2 - TABLES OF CURRENT (A)**

(\*) The indoor unit is supplied with 230/1/50.

		CSCF 208 LL 230/1/50	CSCF 308 LL 230/1/50	CSCF 408 LL	
				230/1/50	400/3N/50 (*)
<b>Cooling mode</b>	Nominal current	4.8	6.9	10.5	4.1
	Max. current	5	6.7	10.1	4.8
	Starting current	24	33	52	21
<b>Heating mode</b>	Max. current with heating	2 kW 9.4	3 kW 9.5	9.6	9.6
		13.7	13.8	13.9	13.9
		18	20.3	24.3	17.3
<b>Simultaneous cold and hot operation (dehumidification)</b>	Nominal current	2 kW 13.5	3 kW 15.6	19.2	12.8
	with heating	3 kW 17.8	19.9	23.5	17.1
	Max. current with heating	2 kW 13.7	16	20	13
		3 kW 18	20.3	24.3	17.3

**4.3.3 - CONNECTION TO THE INDOOR UNIT**

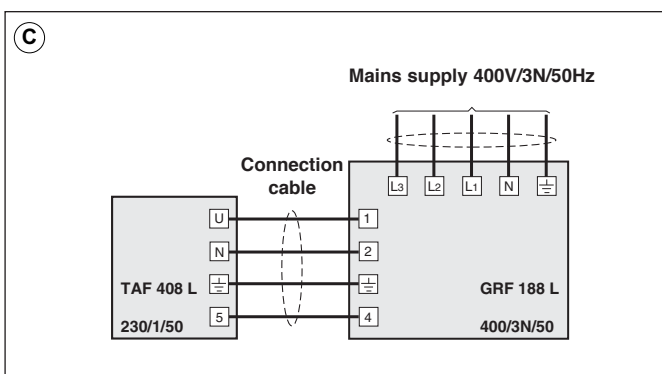
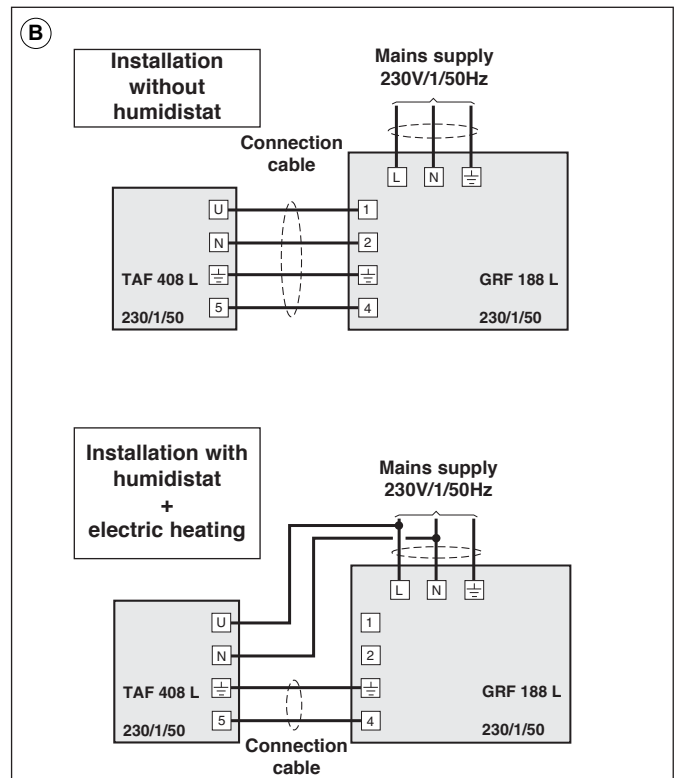
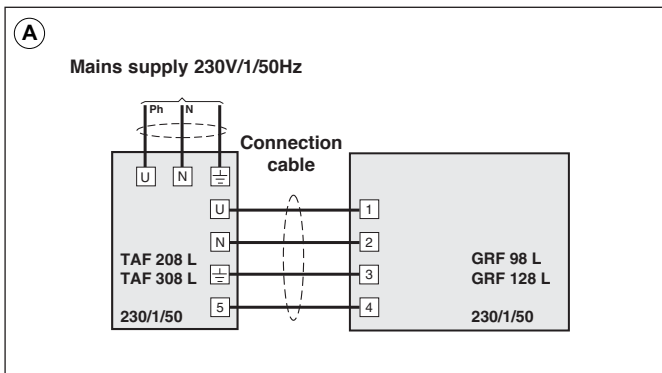
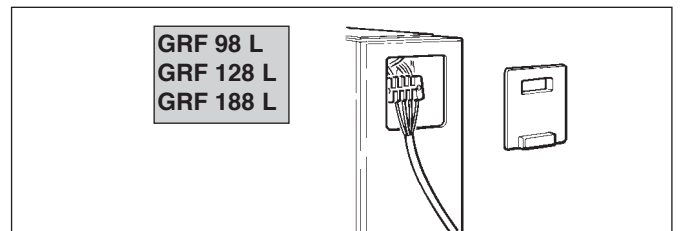
- Pass the cables through one of the covers.
- Connect the wires to the terminal board according to the connexion diagram.

**4.3.4 - CONNECTION TO THE OUTDOOR UNIT**

- Remove the small door (or the side panel).
- Connect the wires to the terminal board according to the connexion diagram.

**4.3.5 - CONNECTION DIAGRAM**

- A** - CSCF 208 LL  
CSCF 308 LL
- B** - CSCF 408 LL in 230/1/50
- C** - CSCF 408 LL in 400/3N/50

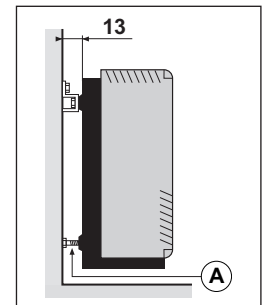
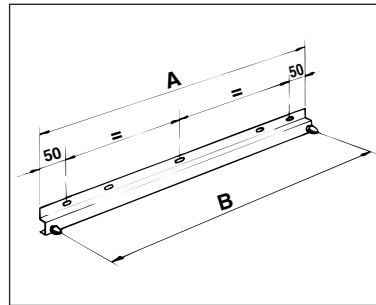


## 5 - INDOOR UNIT ACCESSORIES

### 5.1 - WALL SUPPORT

- Fix the support to the wall using the screws and plugs supplied.
- Level it using the M6 hex. head screws (item A).

Unit	Code accessory	A	B
TAF 208 L	K 60 U 023 Z	870	850
TAF 308 L	K 60 U 024 Z	1,060	1,040
TAF 408 L	K 60 U 028 Z	1,180	1,160



GB

### 5.2 - ELECTRIC HEATING

TAF 208 L, 308 L = 2 kW: code K 60 C 852 Z

3 kW: code K 60 C 853 Z

TAF 408 L = 2 kW: code K 60 C 862 Z

3 kW: code K 60 C 863 Z

- See installation instructions supplied with the accessory.

### 5.3 - REMOTE CONTROL

#### 5.3.1 - MONTAGE / INSTALLATION

- See the main characteristics in the Technical Instructions.
- Consult the "Installation instructions" supplied with the control.
- The unit is connected using 0.75 mm<sup>2</sup> cable (minimum) (1.5 mm<sup>2</sup> max.).  
The cables used must comply with the insulation requirements for the voltage used (230 V).  
This information relates above all to the sensor input of the automatic control connected to the 230 V supply.
- The temperature adjustment range can be limited by means of the mechanical limit stops located on the control knob.

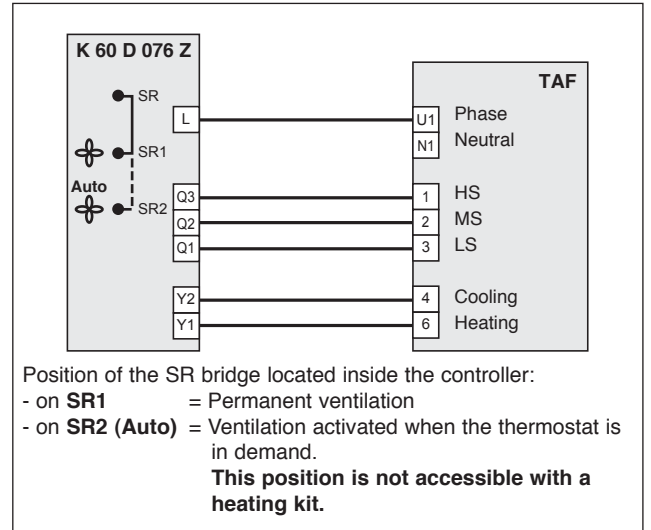
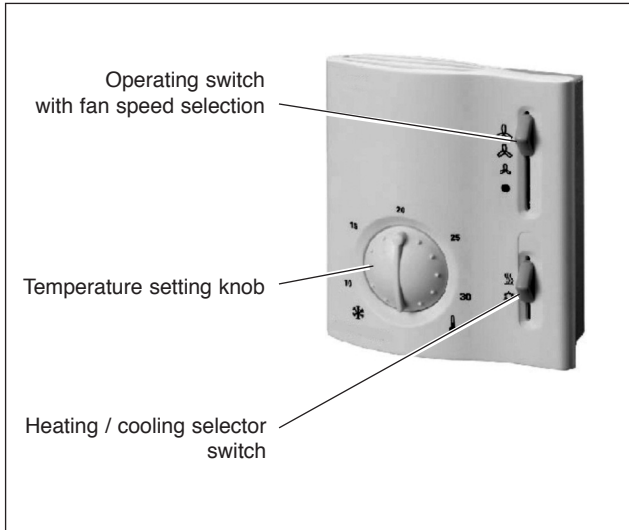
#### • Wall mounting:

- Secure the unit at a height of approximately 1.5 m from the floor in a location representative of normal convection currents, while avoiding:
  - wall which are poorly insulated or liable to vibrate,
  - the proximity of parasitic heat sources (sunshine, heating appliances, lamps, fireplaces, televisions, etc.),
  - currents of air from doors or windows,
  - sheltered locations such as shelves or behind curtains,
  - near electrical outlets.
- For manual control **70250076**, check and modify as required the ventilation selection jumper connection **SR** depending on the appliance (see below).
- For the **K 60 D 025 Z** automatic control, if necessary, adjust the neutral zone using the potentiometer located inside the control.

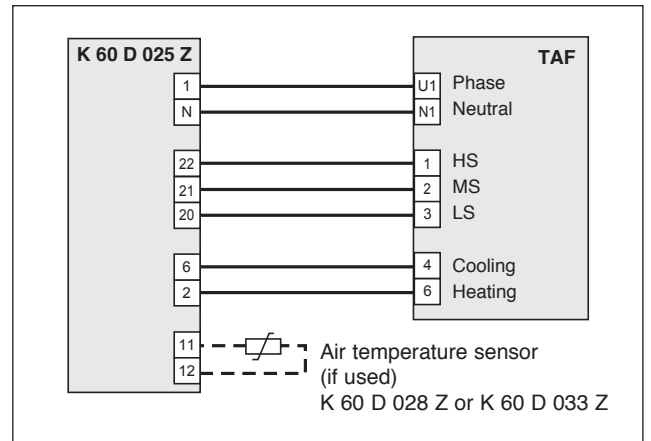
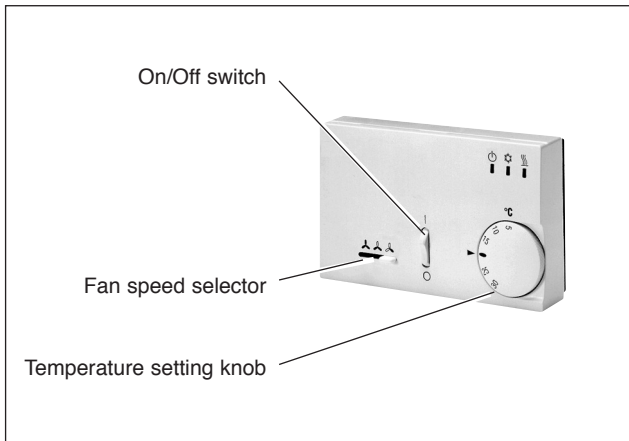
- **Do not install in a local where there is a risk of condensation or water projection (max. relative humidity: 95%).**

5.3.2 - CONNECTIONS WITH "RAB 30" MANUAL REMOTE CONTROL - CODE 70250076

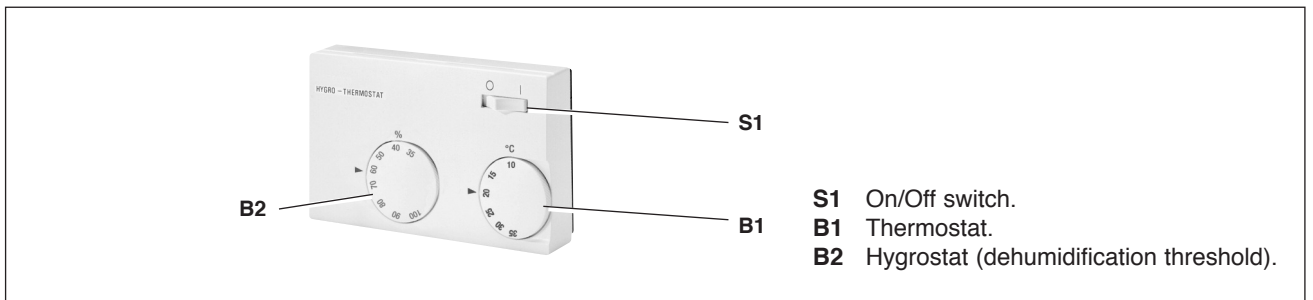
GB



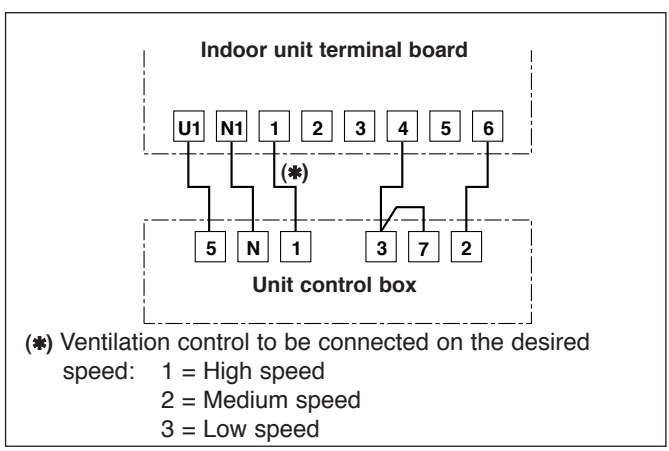
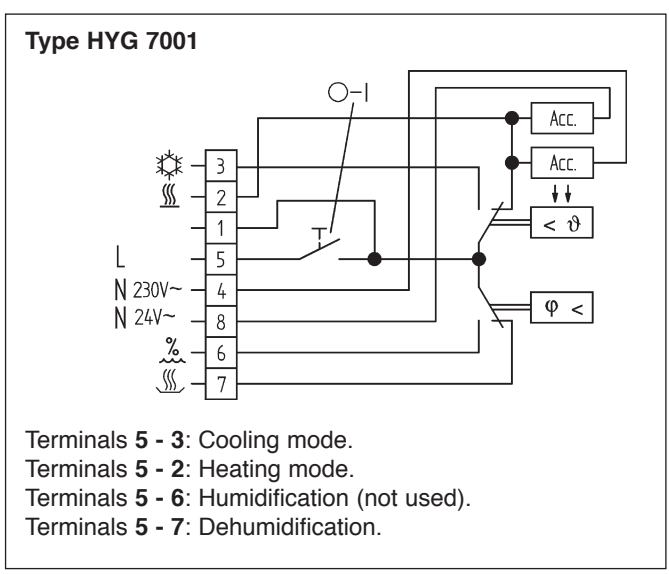
5.3.3 - CONNECTIONS WITH AUTOMATIC REMOTE CONTROL - CODE K 60 D 025 Z



5.3.4 - CONNECTIONS WITH HYGRO-THERMOSTAT - CODE K 60 D 047 Z



- **Note:** If a hydrothermostat is used, the electric heater accessory is obligatory.
- **Theory of operation:**
  - This remote control contains both a thermostat (settings: 10/35° C) and a hygrostat (settings: 35/100 % relative humidity).  
The hygrostat is used for the "dehumidification" function.
  - Cooling is triggered by a request from the thermostat or the humidistat.
- **IMPORTANT:**  
**As cooling and heating control signals are provided by the same change-over contact, there is not neutral zone. The unit thus operates permanently to maintain the required temperature (differential ≈ 1°).**  
Depending on the surrounding conditions, it is possible to encounter simultaneous operation of the heater, requested by the thermostat, and of the air conditioner, requested by the hygrostat (dehumidification).
- An external humidifier, not supplied, may be controlled by the hygrostat by relaying the humidification signal (230 VAC - relay not supplied).



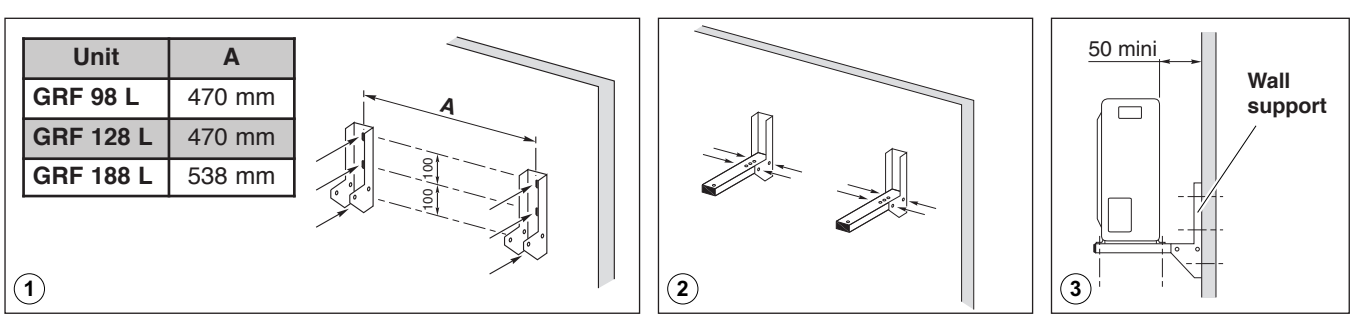
**5.3.5 - TEMPERATURE SENSOR ACCESSORIES**

- For automatic remote control **K 60 D 025 Z**
  - Temperature sensor **K 60 D 028 Z**: Type CTN 33 kΩ - IP 67
  - Air temperature sensor in box **K 60 D 033 Z**: Type CTN 33 kΩ - IP 30
- See the specific installation guide.

**6 - ACCESSORIES OF THE OUTDOOR UNIT**

**6.1 - WALL SUPPORT FOR GRF**

- Code **K 70 U 001 T** for **GRF 98 L** and **128 L**.
  - Code **K 60 U 035 T** for **GRF 188 L**.
- 1 - After making sure that the fixing system used is suitable for the wall, fix the 2 vertical brackets to the wall. Make sure that measurement **A** is correct.
  - 2 - Fit the 2 arms using the M8 screws provided.
  - 3 - Fit the unit on the supports using the M8 screws supplied.



## 7 - STARTING

### IMPORTANT

Before doing any work on the installation, make sure it is switched off and put out of bounds.  
All operations must be carried out by personnel that are approved and qualified for this type of equipment.

### 7.1 - PRELIMINARY CHECKS

- **Make sure:**
  - That the refrigerant fittings are correctly tightened and that the two shut-off valves are open.
  - That there are no leaks.
  - That the air handler and the condenser unit are well fixed.
  - That the power cables are well fixed to their connection terminals. Loose terminals can cause heat build-up on the terminal board.
  - That the electric cables are properly insulated from any pieces of sheet or metal parts which could damage them.
  - That the unit is connected to earth.
  - That no tools or any other objects have been left in the units.
  - That the filter is correctly fitted.
  - That the condensate discharge outlet is correctly connected.

### 7.2 - SWITCH ON THE UNIT

- Using the isolation and protection device.

### 7.3 - START THE UNIT

- Using the remote control.
  - Set the temperature using the thermostat.
  - Set the dehumidification threshold using the humidistat (if any).

### 7.4 - EXTERNAL UNIT FAN

- The GRF version L units have an all-season adjustable fan speed system standard equipment.

## 8 - MAINTENANCE INSTRUCTIONS

### IMPORTANT

Before doing any work on the installation, make sure it is switched off and put out of bounds.  
All operations must be carried out by personnel that are approved and qualified for this type of equipment.

- **Air filter:**
  - Clean every 15 days. See "Operating Manual".
- **External unit air exchanger:**
  - Cleaning recommended once a year.
- **Electric connections:**
  - Once a year, check that the electric wires are well fastened to their terminals.
- **Electric box:**
  - Dusting is recommended once a year.

## 9 - WIRING DIAGRAMS

### Symbols of components

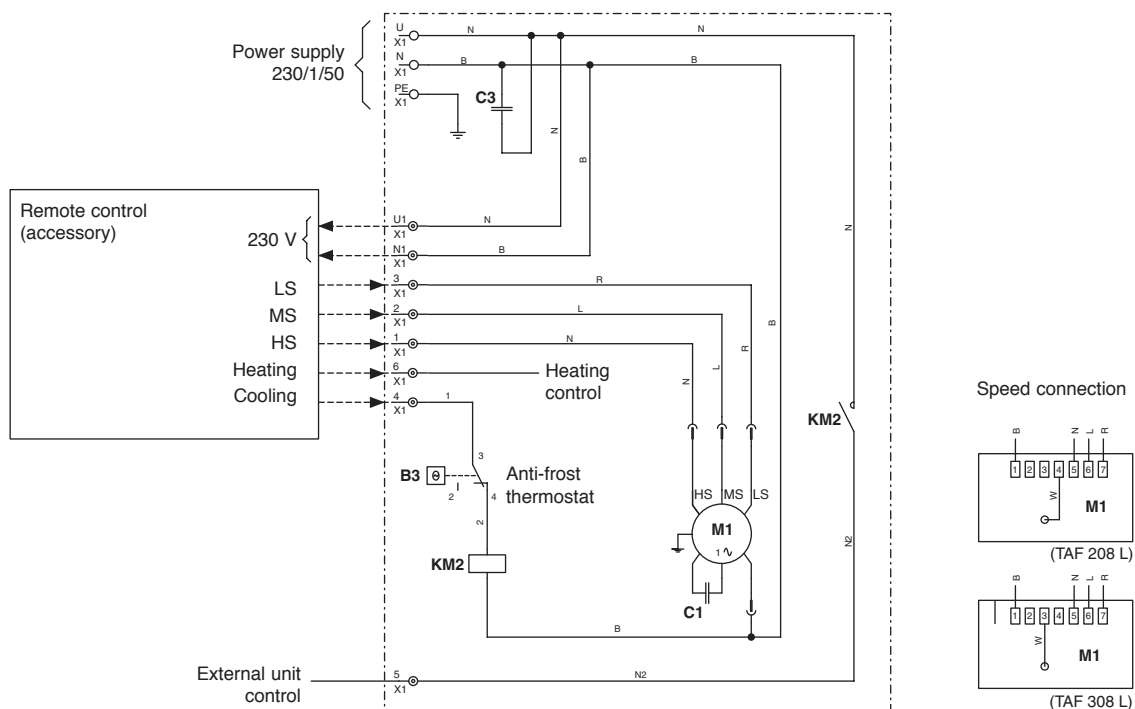
<b>C1</b>	Fan capacitor	<b>T</b>	Thermostat
<b>C2</b>	Capacitor compressor	<b>TP</b>	Terminal board
<b>C3</b>	Filtration capacitor		
<b>CCH</b>	Crankcase heater		
<b>CM</b>	Compressor		
<b>B3</b>	Anti-frost thermostat		
<b>FMO</b>	Fan		
<b>KM2</b>	Compressor contactor		
<b>M1</b>	Fan		
<b>NPR</b>	Phase sequence relay		
<b>OLR</b>	Protection relay		
<b>P/HP</b>	High pressure switch		

### Colours of the wires

<b>B</b>	Blue	<b>RW</b>	Red/White
<b>G</b>	Grey	<b>W</b>	White
<b>GW</b>	Grey/White	<b>GRY</b>	Grey
<b>J</b>	Yellow	<b>BRN</b>	Brown
<b>JV</b>	Yellow/Green	<b>VLT</b>	Purple
<b>L</b>	Purple	<b>PNK</b>	Pink
<b>LW</b>	Purple/White	<b>BLK</b>	Black
<b>M</b>	Brown	<b>RED</b>	Red
<b>N</b>	Black	<b>WHT</b>	White
<b>NW</b>	Black/White	<b>YEL</b>	Yellow
<b>O</b>	Orange	<b>BLU</b>	Blue
<b>P</b>	Pink	<b>GRN/YEL</b>	Green/Yellow
<b>R</b>	Red		

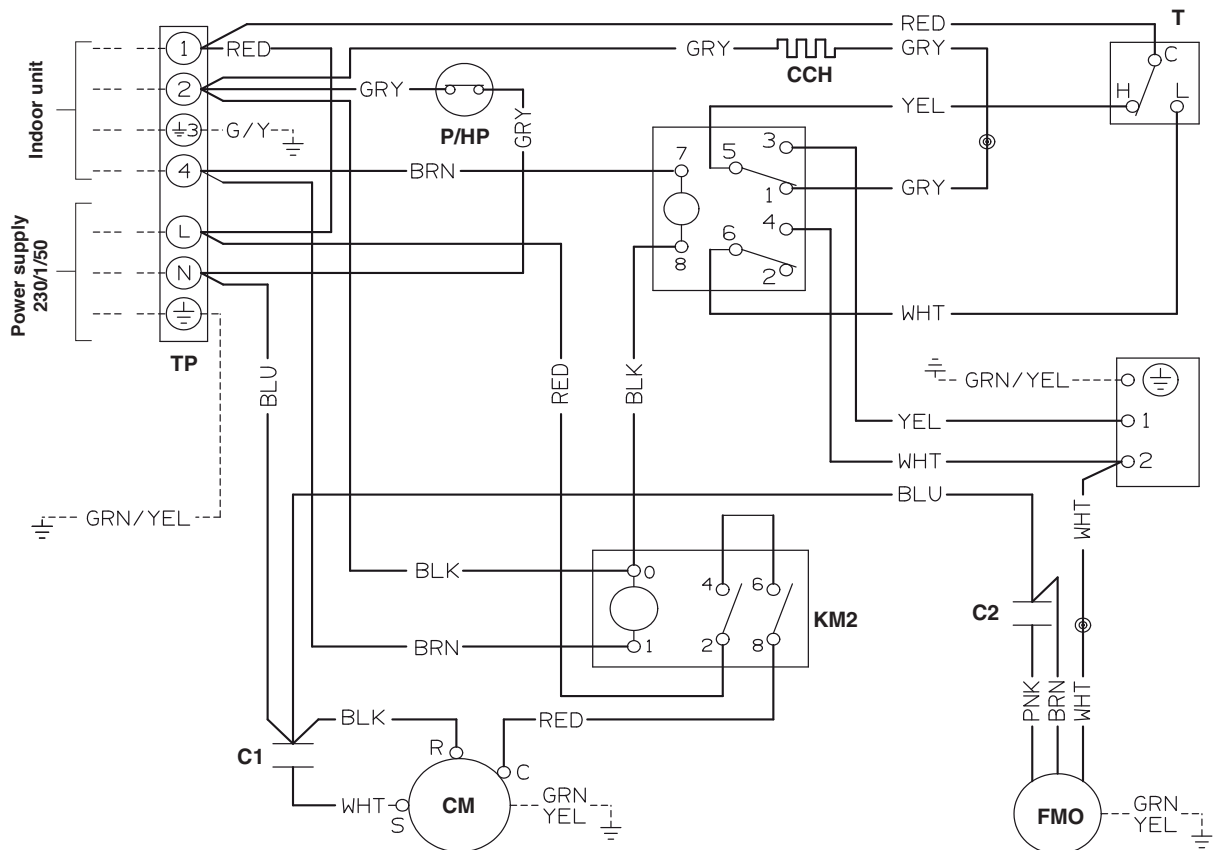
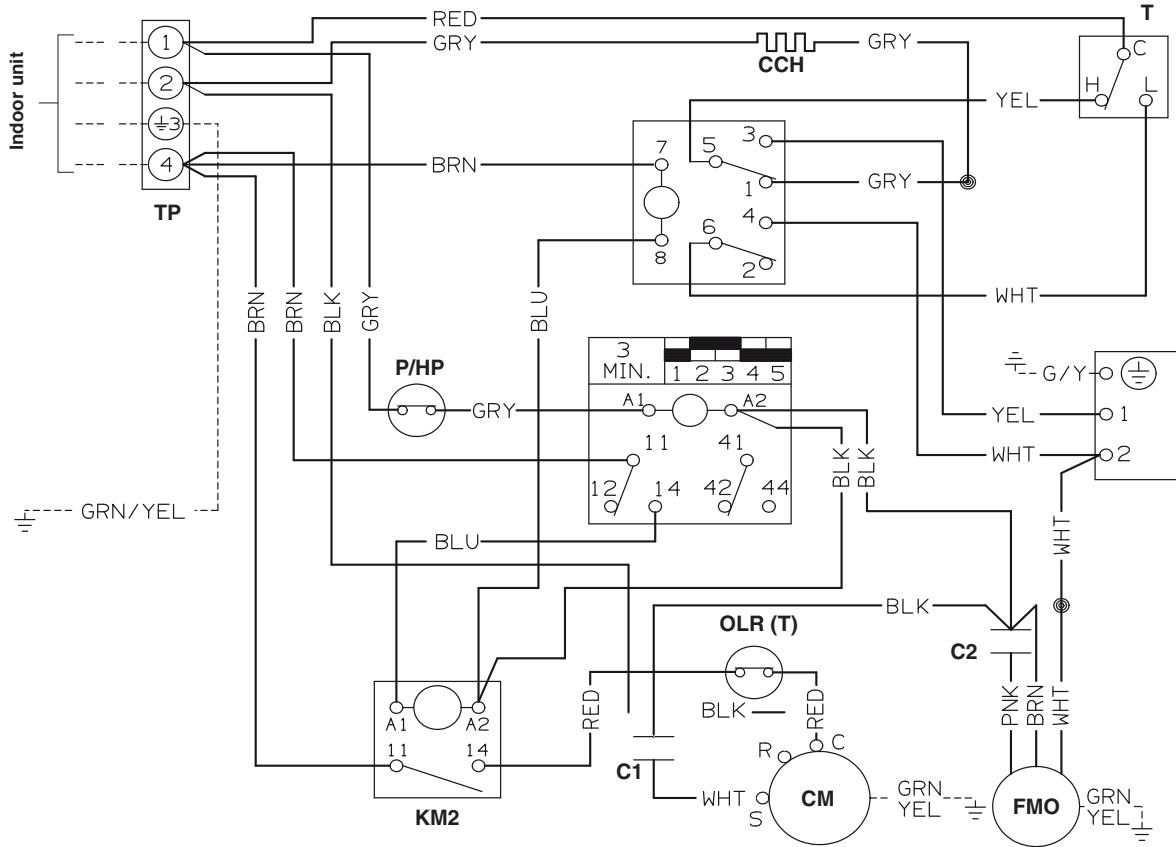
TAF 208 L - TAF 308 L - TAF 408 L - 230/1/50

10 05 758 - 02



GB

GB





F

GB

I

E

D



Par souci d'amélioration constante, nos produits peuvent être modifiés sans préavis.  
Due to our policy of continuous development, our products are liable to modification without notice.  
Per garantire un costante miglioramento dei nostri prodotti, ci riserviamo di modificarli senza preavviso.  
En el interés de mejoras constantes, nuestros productos pueden modificarse sin aviso previo.  
Unsere Produkte werden laufend verbessert und können ohne Vorankündigung abgeändert werden.

**Technibel**

Z.I. Route départementale 28

CS 40131 Reyrieux

01601 TRÉVOUX Cedex FRANCE

Tél. 04 74 00 92 92 - Fax 04 74 00 42 00

Tel. 33 4 74 00 92 92 - Fax 33 4 74 00 42 00

R.C.S. Bourg-en-Bresse B 759 200 728