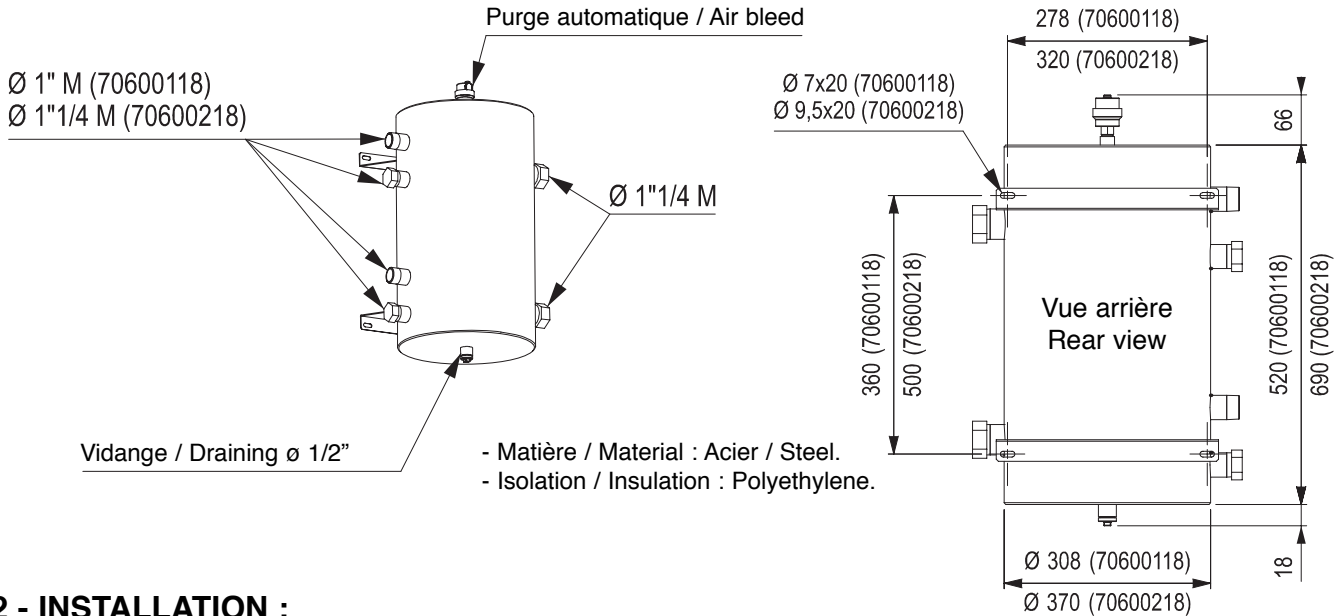
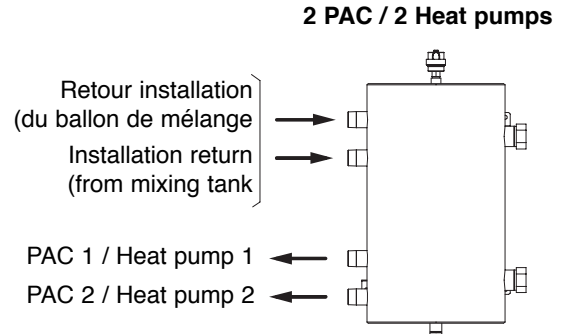
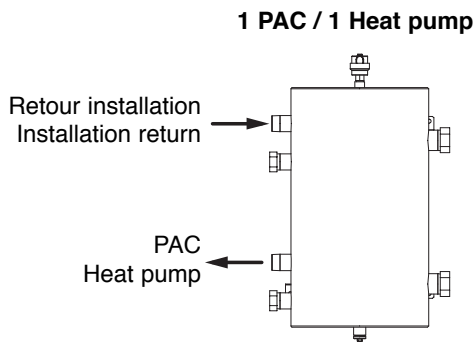


## 1 - DESCRIPTION :



## 2 - INSTALLATION :

### 2.1 - BALLON TAMPON / BUFFER TANK



### 2.2 - BALLON MÉLANGE / MIXING TANK

