


CWX 6 - CWX 8 - CWX 10

CASSETTE TYPE TERMINAL UNIT



| | | Cooling | Heating |
|---------------|---------|----------------|-----------------|
| CWX 6 | 2 pipes | 6.00 kW | 7.70 kW |
| CWX 8 | 2 pipes | 8.00 kW | 10.50 kW |
| CWX 10 | 2 pipes | 9.92 kW | 13.00 kW |

MARKING

This product marked  conforms to the essential requirements of the Directives:

- Low voltage no. 2006/95/EC.
- Electromagnetic Compatibility no. 89/336 EEC, modified 92/31 and 93/68 EEC.



SUMMARY

| | |
|-------------------------------|---|
| 1 - Presentation | 2 |
| 2 - Technical characteristics | 2 |
| 3 - Physical characteristics | 3 |
| 4 - Description | 4 |
| 5 - Accessories | 4 |

1 - PRESENTATION

1.1 - USE

- Unit intended for climate control in buildings and the comfort of people.
- Do not place the device in rooms with high humidity or exposed to projections of water.

1.2 - FUNCTIONS

- Cooling or heating by means of a 2-pipe water coil.
- Ventilation with filtration (built-in filter).

1.3 - APPLICATIONS

- This unit was designed for installation in locations such as offices, businesses and hotels.

1.4 - MODELS

- "2-pipe" for all sizes, with wire or infrared remote control: CWX B 5B and CWX B 5X.

2 - TECHNICAL CHARACTERISTICS

2.1 - NOMINAL CONDITIONS

| Model | | | CWX 6 B | CWX 8 B | CWX 10 B | |
|--|-----|-------------------|-------------------|----------|----------|-------|
| Total cooling capacity | (1) | HS | kW | 6.00 | 8.00 | 9.92 |
| | | MS | kW | 5.00 | 6.50 | 8.09 |
| | | LS | kW | 4.20 | 5.50 | 6.23 |
| Sensible cooling capacity | (1) | HS | kW | 4.70 | 6.40 | 7.90 |
| | | MS | kW | 3.80 | 5.40 | 6.22 |
| | | LS | kW | 3.20 | 4.10 | 4.62 |
| Heating capacity | (2) | HS | kW | 7.70 | 9.42 | 11.69 |
| | | MS | kW | 6.40 | 8.52 | 9.53 |
| | | LS | kW | 5.40 | 6.28 | 7.34 |
| Air flow rate | HS | m ³ /h | 1,300 | 1,270 | 2,300 | |
| | | m ³ /s | 0.361 | 0.353 | 0.631 | |
| | | MS | m ³ /h | 1,060 | 1,090 | 1,700 |
| | LS | m ³ /s | 0.294 | 0.303 | 0.472 | |
| | | m ³ /h | 850 | 830 | 1,200 | |
| | | m ³ /s | 0.233 | 0.231 | 0.339 | |
| Water flow rate in cooling | (1) | HS | l/h | 1,030 | 1,380 | 1,700 |
| | | MS | l/h | 860 | 1,120 | 1,400 |
| | | LS | l/h | 720 | 950 | 1,070 |
| Pressure drop on water in cooling mode | (1) | HS | kPa | 30 | 41 | 63 |
| | | MS | kPa | 19 | 31 | 42 |
| | | LS | kPa | 14 | 23 | 26 |
| Pressure drop on water in heating mode | (2) | HS | kPa | 27 | 39 | 60 |
| Pressure drop of the valve | | HS | kPa | 17 | 25 | 45 |
| Power supply | | V/ph/Hz | 230/1/50 | 230/1/50 | 230/1/50 | |
| Max. power consumption | | HS | kW | 0.12 | 0.12 | 0.18 |
| Max. current consumption | | HS | A | 0.50 | 0.50 | 0.80 |
| Hydraulic connection | | 3/4" gas female | ● | ● | ● | |
| Sound power level | | HS | dB(A) | 51 | 50 | 57 |
| | | MS | dB(A) | 44 | 46 | 49 |
| | | LS | dB(A) | 40 | 37 | 43 |
| Sound pressure level (at 2 m indoors) | | HS | dB(A) | 42 | 41 | 48 |
| | | MS | dB(A) | 35 | 37 | 40 |
| | | LS | dB(A) | 31 | 28 | 34 |

(1) Air inlet: 27°C (DB) / 19°C (WB) - Water inlet: 7°C - Water outlet: 12°C.
(2) Air inlet: 20°C - Water inlet 50°C (same flow-rate as under other conditions (1)).

2.2 - OTHER CONDITIONS

- Consult us.
- **Operating limits:**
 - Minimum water inlet temperature : 4°C.
 - Maximum water inlet temperature: 60°C.

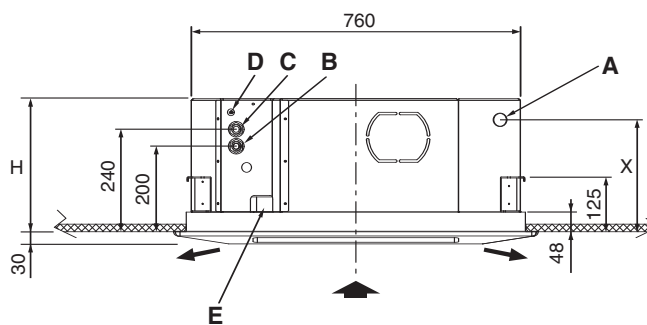
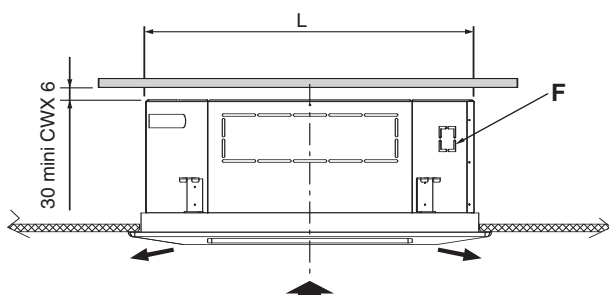
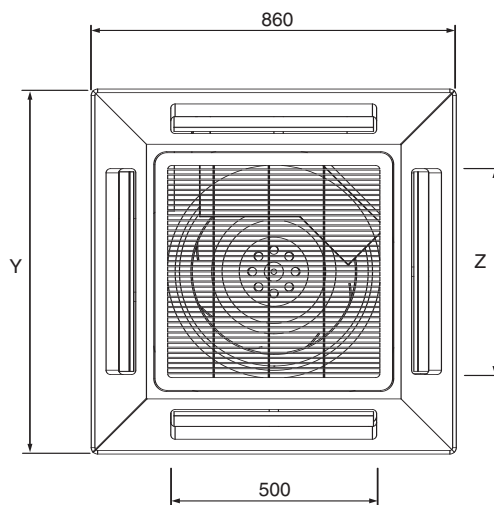
Note : For reasons relating to comfort (homogeneity of the air temperature in the room), not exceeding a water inlet temperature of 55°C in the battery is recommended.

- Maximum operating pressure of the hydraulic circuit: 16 bar.
- Minimum air recirculation temperature : 5°C.
- Maximum air recirculation temperature: 32°C.

3 - PHYSICAL CHARACTERISTICS

| Model | L | H | X | Y | Z |
|-----------------|-------|-----|-----|-------|-----|
| CWX 6 | 760 | 310 | 260 | 860 | 500 |
| CWX 8/10 | 1,050 | 340 | 290 | 1,150 | 750 |

- A Condensate opening : OD 32mm
- B Water inlet : 3/4" female - gas
- C Water outlet : 3/4" female - gas
- D Air vent valver
- E Electrical cable passage
- F New air intake: 60 mm x 55 mm



NET WEIGHT

| Model | CWX 6 | CWX 8/10 |
|---------------------------------|-------|----------|
| Unit | 23 kg | 29 kg |
| Facade / grille assembly | 5 kg | 7 kg |

PACKED UNITS

| Model | CWX 6 | CWX 8/10 | | |
|--------------------|--------|----------|-----|-------|
| Unit | length | mm | 860 | 1,150 |
| | width | mm | 820 | 820 |
| | height | mm | 300 | 330 |
| | weight | kg | 26 | 33 |
| Front panel | length | mm | 960 | 1,250 |
| | width | mm | 960 | 960 |
| | height | mm | 105 | 105 |
| | weight | kg | 8 | 10 |

4 - DESCRIPTION

| Model | CWX 6 | CWX 8 | CWX 10 |
|--|----------------------------|------------------|------------------|
| Construction | | | |
| Material | Galvanised steel | Galvanised steel | Galvanised steel |
| Polyethylene insulation | 3 mm exterior | 3 mm exterior | 3 mm exterior |
| Front panel material | Polystyrene | Polystyrene | Polystyrene |
| Front panel colour | RAL 9001 | RAL 9001 | RAL 9001 |
| Electric box protection | IP 20 | IP 20 | IP 20 |
| Copper/aluminium thermal exchanger | | | |
| Number of rows | 2 | 2 | 2 |
| Frontal surface area | m² 0.349 | 0.556 | 0.556 |
| Pitch between fins | mm 1.5 | 1.5 | 1.5 |
| Water capacity | litres 1 | 1.5 | 1.5 |
| Connections | 3/4" gas female | 3/4" gas female | 3/4" gas female |
| Manual air bleeder | • | • | • |
| Motor | | | |
| Power supply | 230V/1/50Hz | • | • |
| Number | 1 | 1 | 1 |
| Internal thermal protection | • | • | • |
| Class | A | A | A |
| Number of poles | 6 | 6 | 6 |
| Rotation speed (at high speed) | rpm 440 | 470 | 510 |
| Max. power consumption | kW 0.115 | 0.140 | 0.180 |
| Max. current consumption | A 0.5 | 0.6 | 0.8 |
| Fan | | | |
| Type | Centrifugal | Centrifugal | Centrifugal |
| Number | 1 | 1 | 1 |
| Diameter | mm 450 | 450 | 450 |
| Length | mm 160 | 200 | 200 |
| Air filter | | | |
| Polypropylene, class HB (UL 94) – Washable | • | • | • |
| Number | 1 | 1 | 1 |
| Condensate pump | | | |
| Power supply | 230V/1/50Hz | • | • |
| Nominal flow rate | litres/hour 36 | 36 | 36 |
| Lift height above the unit | mm 250 | 250 | 250 |
| Power consumption | kW 0.015 | 0.015 | 0.015 |
| Fresh air intake (knock-out) | | | |
| Number | 1 | 1 | 1 |
| Connection dimensions | mm 60 x 55 | 60 x 55 | 60 x 55 |
| Wire remote control version | • | • | • |
| Infrared remote control version | • | • | • |

5 - ACCESSORIES

5.1 - 3-WAY VALVE + BY-PASS

- **Code 70600088.**
- This valve kit can be mounted on all models **and is obligatory for cold water use.**
- If this valve is not installed there is a risk of the condensate tray overflowing when the machine is switched off by the thermostat or if the condensate pump breaks down.
- A standard auxiliary condensate tray (for the valve) is delivered with the units.
- Characteristics:
 - Connection: 3/4" male gas (the valve is supplied with the connections for installation directly on the unit's outlet).
 - Kvs: 2.5.
 - "On/Off" 230V thermal actuator.
 - Open time: 3 min.

5.2 - REMOTE CONTROLS (for the wire remote control version)

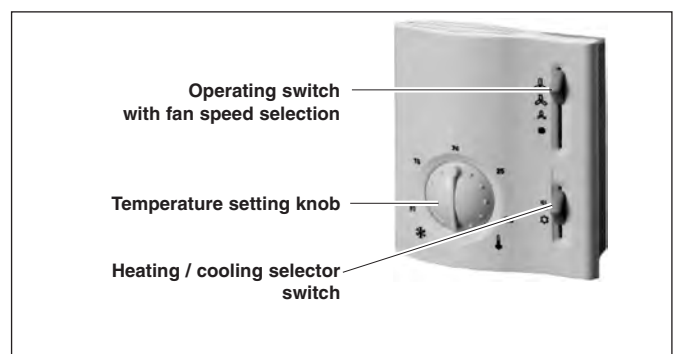
| Model | CWX 6 B | CWX 8 B | CWX 10 B |
|---|---------|---------|----------|
| 70250076 RAB 30 Manual remote control | • | • | • |
| 70250051 RCC 10 automatic remote control | • | • | • |
| 70250053 Change/over sensor or air recirculation with bracket for RCC | • | • | • |
| 70250054 Air temperature sensor in box for RCC | • | • | • |

Note: "On-Off" action on valve, 230 VAC (accessory).

A - MANUAL REMOTE CONTROL

- Code **70250076**
- The operating mode is selected **manually** by a switch on the front of the control unit.

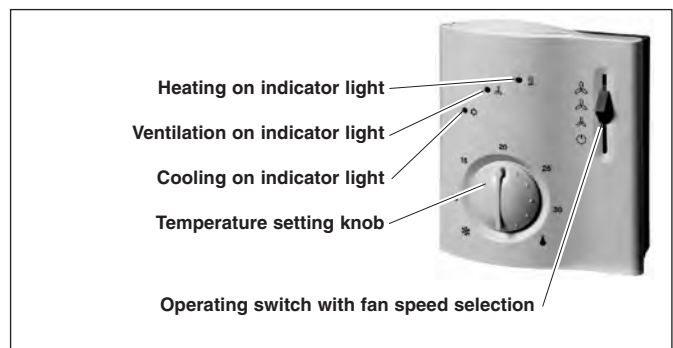
- Technology : electromechanic
- Power supply : 230 Vac
- Set-point adjustment range : 8 / 30°C
(possibility of mechanical limitation by jumpers on the knob)
- "On-Off" action
- Control differential : $\leq 1^{\text{K}}$
- Operating temperature : 0 / 50°C
- Relative humidity : < 95%
- Protection class : cl. II
- IP : 30
- Colour : White RAL 9003



B - AUTOMATIC REMOTE CONTROL

- Type **RCC 10 - code 70250051**
- Selection of the operating mode is done **automatically**.
- For the units capable of heating and cooling operation, a change-over sensor must be connected (accessory, code 70250053) to the installation on the water piping.
This change-over sensor can be replaced by a potential-free contact (not supplied), the closing of which causes changeover to cooling mode.
- There is a possibility to connect a remote air temperature sensor, bare (accessory, code 70250053) or box mounted (accessory, code 70250054).
- Permanent or slaved ventilation.
- Mode change is possible (Eco or Stand-by) by an external potential-free contact (not supplied).

- Technology : electronic
- Power supply : 230 Vac
- Set-point adjustment range: 8 / 30°C
(possibility of mechanical limitation by jumpers on the knob)
- "On-Off" action
- Heating differential : adjustable 1 or 4^K
- Cooling differential : adjustable 0.5 or 2^K
- Neutral zone (on RCC 20) : adjustable 2 or 5^K
- Setpoint in "Eco" mode : 16°C in heating mode
28°C in cooling mode
- Setpoint in "Standby" : 8°C in heating mode
- Operating temperature : 0 / 50°C
- Relative humidity : < 95%
- Protection class : cl. II
- IP : 30
- Colour : White RAL 9003

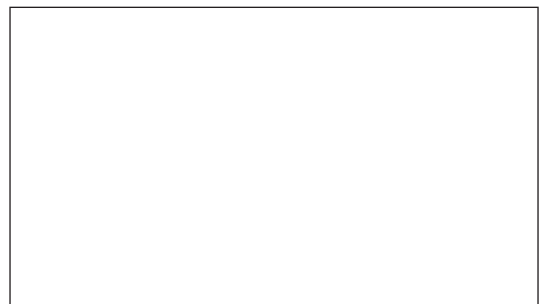


C - TEMPERATURE PROBE (BARE) - CODE 70250053

- For RCC type remote control.
- 2 possible uses:
 - change over probe (equipped with a tube retaining clip) for appliances may operate in heating and cooling mode,
 - air temperature probe (to be placed on the air intake).
- Thermistance type CTN 3 k Ω at 25°C.
- IP 65 - protection class: cl. II.

D - BOX-MOUNTED AIR TEMPERATURE PROBE - CODE 70250054

- For RCC remote controls.
- Enables the control unit to be placed outside the room to be air conditioned.
- Thermistance type CTN 3 k Ω at 25°C.
- The unit is mounted in a box similar to the remote control (IP 30 - protection class: cl. II - colour: white RAL 9003).



Due to our policy of continuous development, our products are liable to modification without notice.

Technibel

R.D. 28 Reyrieux BP 131 01601 Trévoux CEDEX France
Tel. 33 4 74 00 92 92 - Fax 33 4 74 00 42 00
R.C.S. Bourg-en-Bresse B 759 200 728