



# Twistline Alu 3000 hours

Twistline Alu 3000h 50W GU10 230V 25D 1CT

Mains-voltage long-life halogen burner in glass reflector. Ideal solution for small decorative luminaires, putting your objects in a superior-quality spot light. Aluminum coating prevents heat in the backlight.

## Product data

### • General Characteristics

Philips Code	18029
Cap-Base	GU10
Bulb	MR16 [2inch/50mm]
Bulb Finish	Clear
Operating Position	any [Any or Universal (U)]
Life to 50% failures	3000 hr
Nominal Lifetime	3000 hr
Rated Lifetime (hours)	3000 hr
Rated Lifetime (years)	3 an

### • Light Technical Characteristics

Beam Angle	25 D
Beam Angle Technical	25 D
Luminous Intensity	700 (max) cd
Color Rendering Index	100 Ra8
Color Temperature	2800 K
Color Temperature Technical	2800 K
Rated Luminous Flux	385 Lm
LLMF - end nominal lifetime	80 (min) %
Rated Beam Angle	25 D
Luminous flux in 90° cone	385 Lm

### • Electrical Characteristics

Rated Wattage	50.0 W
Lamp Wattage	50 W
Lamp Wattage Technical	50 W

Power Factor	1 -
Voltage	230 V
Dimmable	Yes
Starting Time	0.0 s
Warm-up Time to 60% Light Outp	instant full light

### • Environmental Characteristics

Energy Efficiency Label (EEL)	D
Energy consumption kWh/1000h	50 kWh

### • Measuring Conditions

Switching cycle	12000X
-----------------	--------

### • Product Dimensions

Overall Length C	51 (max) mm
Diameter D	51 (max) mm

### • Product Data

Order code	924880644264
Full product code	924880644264
Full product name	Twistline Alu 3000h 50W GU10 230V 25D 1CT
Order product name	Tw Alu 3000h 50W GU10 230V 25D 1CT/10X5F
Pieces per pack	1
Packing configuration	10X5CC
Packs per outerbox	50
Bar code on pack - EAN1	8711500649324

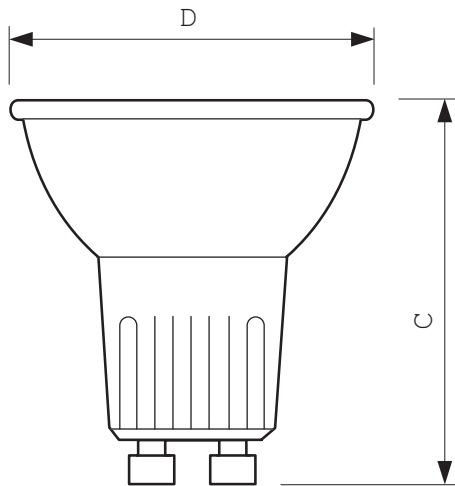
**PHILIPS**

## Twistline Alu 3000 hours

Bar code on intermediate packing - EAN2 8711500649348  
Bar code on outerbox - EAN3 8711500649324

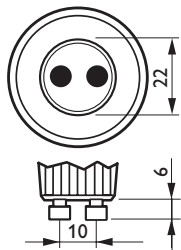
Logistic code(s) - 924880644264  
12NC  
ILCOS code HAGS-50-230-GU10-51/25  
Net weight per piece 38.400 gr

### Dimensional drawing



### Twistline Alu 3000h 50W GU10 230V 25D 1CT

Product	C (Max)	D (Max)
TWIST Alu 18029 50W GU10 230V 25D	51	51



GU10



© 2014 Koninklijke Philips N.V. (Royal Philips)  
All rights reserved.

Specifications are subject to change without notice. Trademarks are the property of Koninklijke Philips N.V. (Royal Philips) or their respective owners.

[www.philips.com/lighting](http://www.philips.com/lighting)

2014, February 6  
data subject to change