

MHN-TD/MHW-TD RX7S



MHN-TD FC2

Low-wattage metal halide lamps with a quartz discharge tube containing high-pressure mercury and a mixture of dysprosium, holmium and thulium halides (MHN-T and MHN-TD) or tin iodide (MHW-TD), with sodium and thallium added for colour correction and arc stabilisation. They require an ignitor and a ballast, which influence the lamp performance.

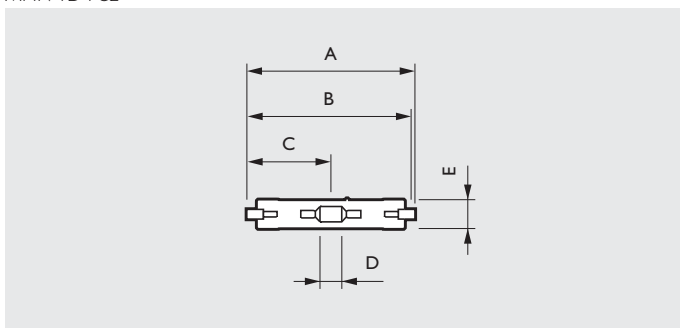
MHN-TD and MHW-TD lamps are double-ended and housed in a tubular clear UV-block quartz evacuated outer envelope. In the luminaire a hard glass cover is obliged, which serves to avoid injury or damage as a consequence of possible discharge tube shattering. MHN-TD and MHW-TD lamps have a horizontal burning position, with a tolerance of +/- 45 degrees.

Note
ALL LAMPS IN UV-BLOCK FOR REDUCED HEALTH/FADING RISK.

THE CDM-TP /942 IS THE SUCCESSOR OF MHN-T.

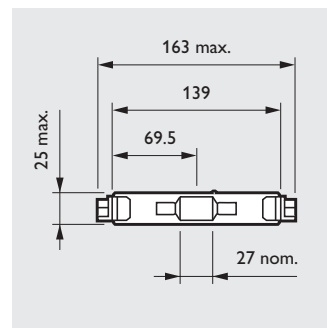
Applications

- Indoors - accent and general lighting in downlighters.
- Outdoors - floodlighting monuments, facades and billboards.



Dimensions in mm

| Type | A max. | B nom. | C nom. | D nom. | E max. |
|--------------------|--------|--------|--------|--------|--------|
| Cap/base RX7s | | | | | |
| MHN-TD/MHW-TD 70W | 117.6 | 114.2 | 57.1 | 7.0 | 21.0 |
| MHN-TD/MHW-TD 150W | 135.4 | 132.0 | 66.0 | 18.0 | 24.0 |



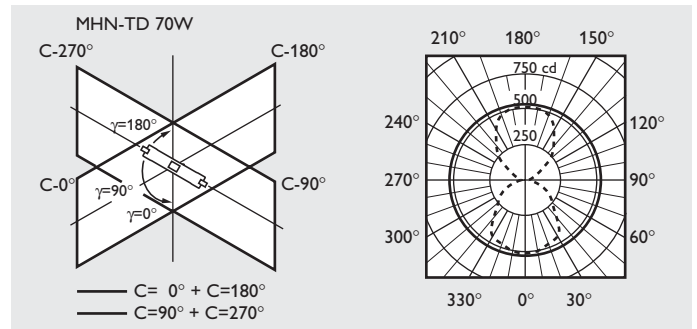
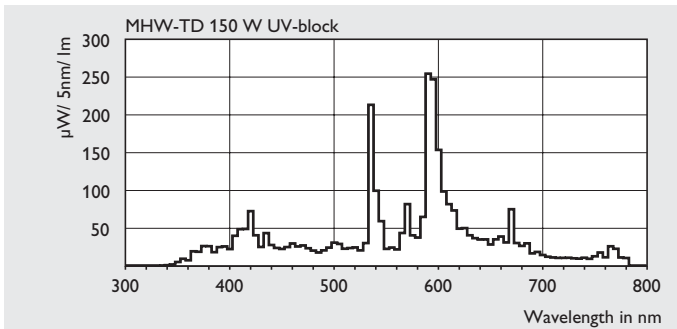
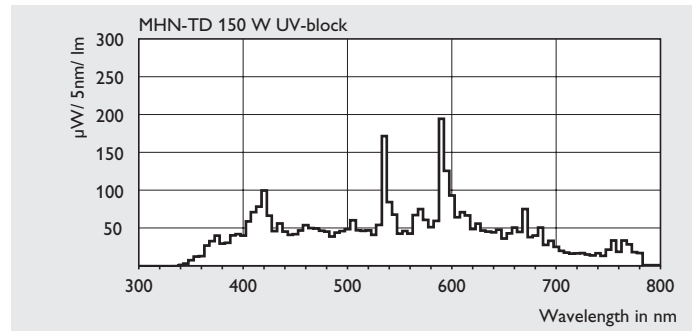
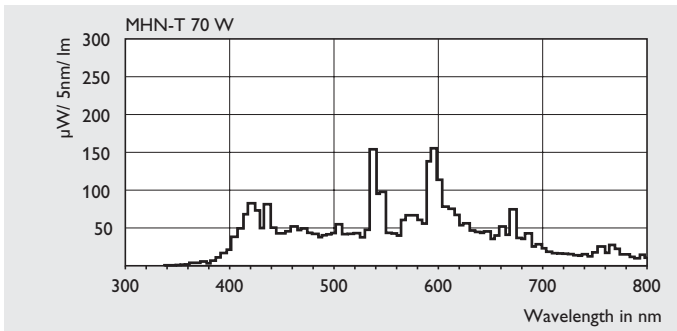
MHN-TD 250W FC2



Burning position

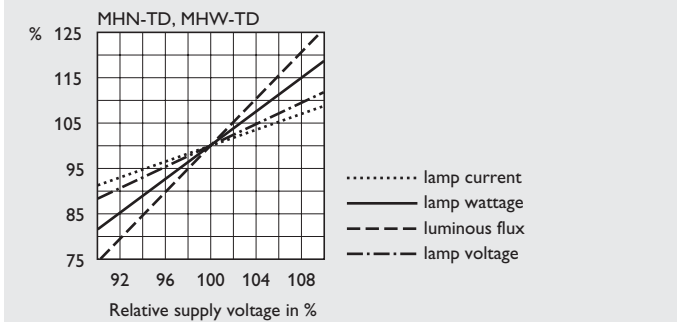
| Type | W | Cap/ base | Lamp wattage | Lamp voltage | Correlated colour temp. | Lumen output | Colour rendering index | Lamp current | Maximum permissible base/pinch temp. degr.C | Maximum permissible bulb temp. degr.C | Chrom. coord. x | Chrom. coord. y | Nett weight g | Ordering number | EOC |
|---------------|---|-----------|--------------|--------------|-------------------------|--------------|------------------------|--------------|---|---------------------------------------|-----------------|-----------------|---------------|-----------------|----------|
| | | | | | | | | | | | | | | | |
| MHN-TD | | | | | | | | | | | | | | | |
| MHN-TD 70W | | RX7S | 75 | 90 | 4200 | 5700 | 80 | 1.0 | 280 | 500 | 358 | 367 | 22 | 9280 702 05100 | 73398615 |
| MHN-TD 150W | | RX7S | 150 | 98 | 4200 | 12900 | 85 | 1.8 | 280 | 650 | 370 | 370 | 30 | 9280 765 05100 | 73399315 |
| MHN-TD 250W | | FC2 | 252 | 100 | 4200 | 20000 | 85 | 3.0 | 280 | 650 | 370 | 370 | 61 | 9280 786 05100 | 73400615 |
| MHW-TD | | | | | | | | | | | | | | | |
| MHW-TD 70W | | RX7S | 75 | 90 | 3000 | 6200 | 75 | 1.0 | 280 | 500 | 435 | 403 | 22 | 9280 816 05100 | 56268515 |
| MHW-TD 150W | | RX7S | 150 | 96 | 3000 | 13800 | 75 | 1.8 | 280 | 650 | 434 | 400 | 30 | 9280 815 05100 | 19350615 |



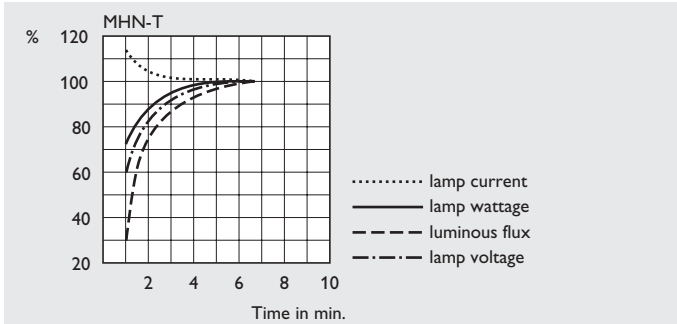


Spectral power distributions

Polar light distribution



Effects of mains voltage variations



Lamp performance during run-up

