

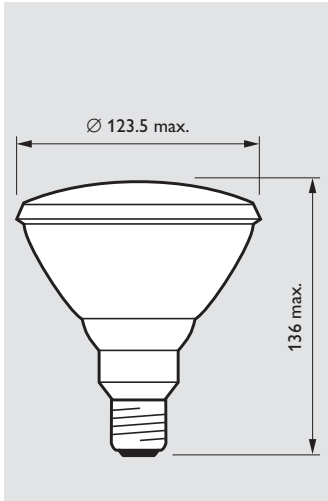


Spot

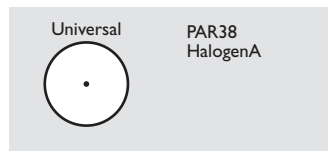


Flood

Dimensions in mm



PAR38 HalogenA



Burning position

Reflector lamps consisting of a mains-voltage hard glass burner (linear filament) optically positioned in a Parabolic, Aluminium-coated, pressed-glass Reflector (PAR).

The sparkling and decorative image of the PAR 38 HalogenA is emphasised by its new and modern designed WISO® reflector found in each member of the PAR HalogenA family. This gives more light in the specified beam and a well-defined beam pattern. Philips' mains-voltage HalogenA philosophy focuses on offering halogen solutions which fit in normal and existing luminaires.

Unlike the HalogenA, which is a general-purpose lamp, the PAR HalogenA bundles the light and is suitable for accent applications.

The combination of the latest optical know-how and the halogen technology results in a very intensive beam with a clearly defined beam spread. The fact that the front glass is lightly stippled for the spot versions will strongly emphasise the effect of the sparkling reflector. The front glass protects the lamp for safety and from outside elements such as errant fingers and dust which could reduce the light output and affect the sparkling image. For wider beams, a lenticuled front glass is used thus ensuring a very good light distribution. In a PAR 38 flood application, the lenticuled front glass prevents glare.

The PAR 38 HalogenA has two beam spreads - 10° and 30° - and is a replacement for PAR 38 incandescent reflector lamps of the same or higher wattage. It also incorporates the features applicable to halogen lamps in general, such as: a luminous flux which remains nearly constant throughout the lamp life; 3 times the lifetime of a normal incandescent reflector lamp; natural colour rendering ($R_a=100$); and good luminous efficacy (more light less energy). Not only the compactness of halogen light sources, the combination possibilities with modern luminaires and their decorativeness, but especially the bright and sparkling light make halogen a well-loved light source. These general lighting characteristics of halogen support the use of the PAR 38 HalogenA for accent and display lighting. The excellent colour rendering gives a realistic impression of the objects and during the whole lifetime of the lamp the displayed objects are accentuated according to the initial requirements.

Applications

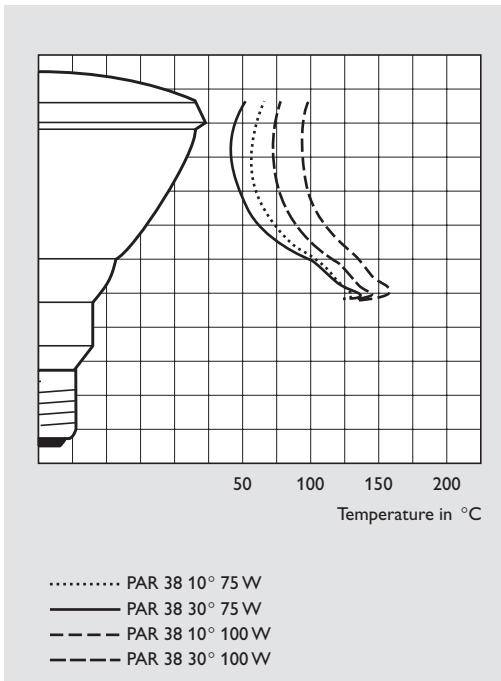
Indoor

- Accent lighting in shops, especially for valuable goods
- Accent and task lighting in the home

Outdoor

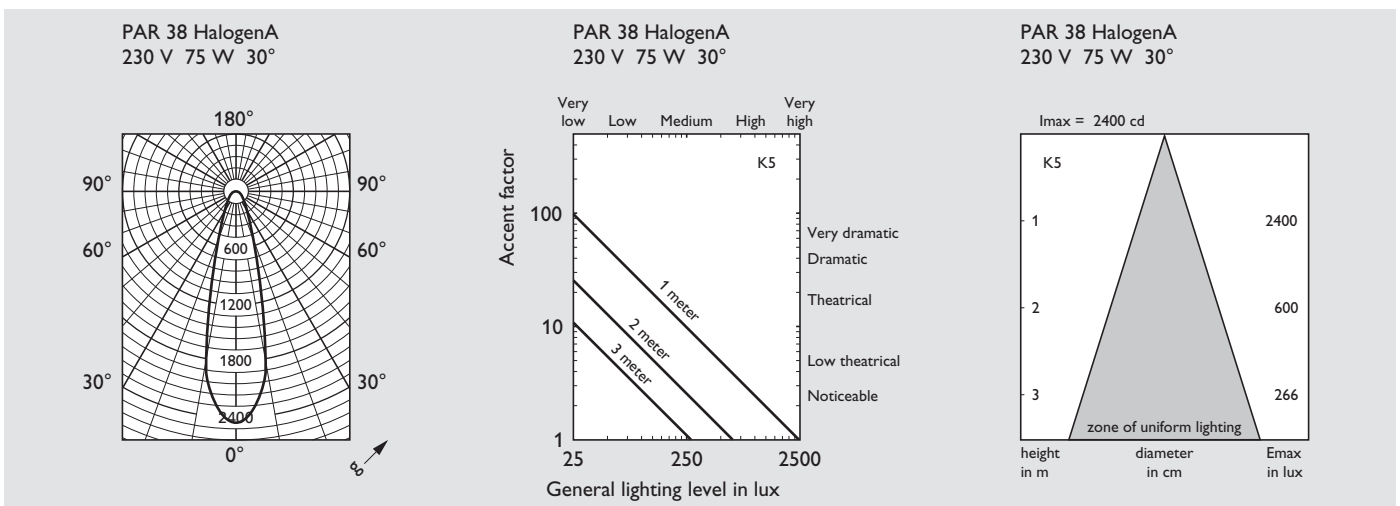
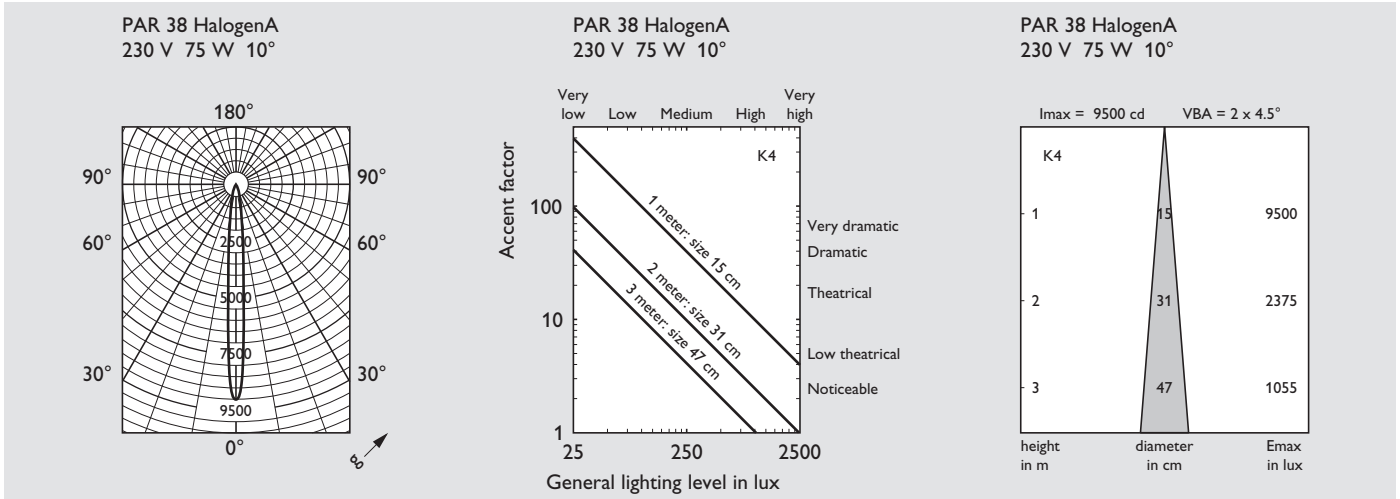
The PAR 38 HalogenA can also be used outdoors, but should be protected from direct water contact. The luminaire, however, must certainly include a waterproof connection between the reflector and the luminaire. The reflector and burner are temperature shock resistant.

Type	V	W	Beam angle	Cap/ base	Max luminous intensity cd	Correlated colour temperature K	Lamp life 50% h	Ordering number	EOC
ALUMINIUM									
PAR38 HalogenA	230V	75W	10DGR	E27	9500	2900	3000	9245 043 44200	494566
PAR38 HalogenA	230V	75W	30DGR	E27	2400	2900	3000	9245 044 44200	494580
PAR38 HalogenA	240V	75W	10DGR	E27	9200	2900	3000	9245 043 45500	504609
PAR38 HalogenA	240V	75W	30DGR	E27	2200	2900	3000	9245 044 45500	504616
PAR38 HalogenA	230V	100W	10DGR	E27	15000	2900	3000	9245 045 44200	494573
PAR38 HalogenA	230V	100W	30DGR	E27	3000	2900	3000	9245 046 44200	494597
PAR38 HalogenA	240V	100W	10DGR	E27	11600	2900	3000	9245 045 45500	504623
PAR38 HalogenA	240V	100W	30DGR	E27	3000	2900	3000	9245 046 45500	504630



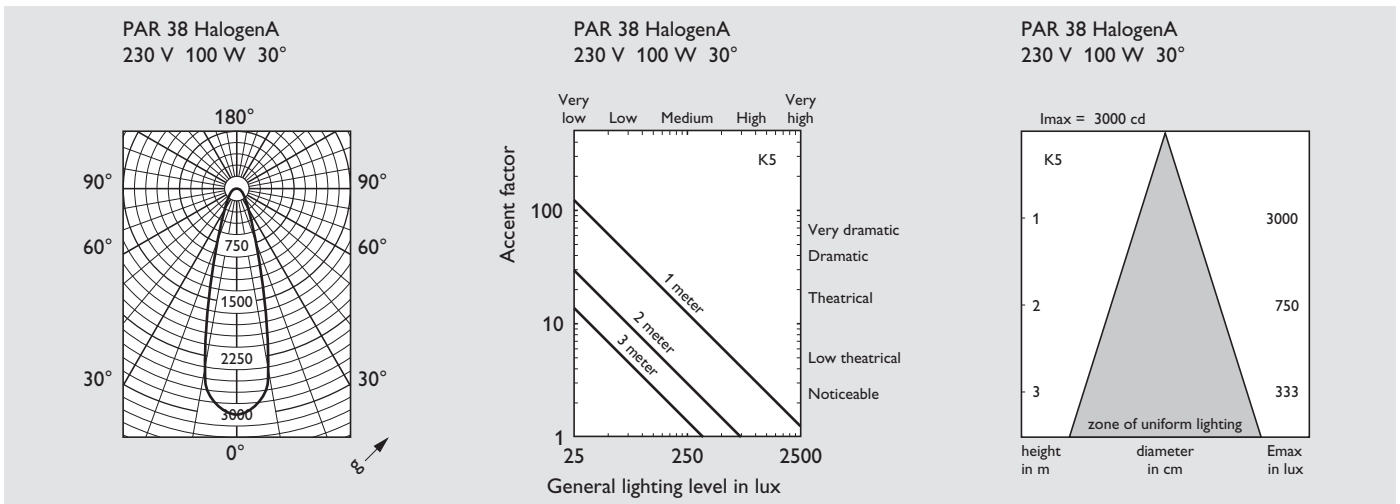
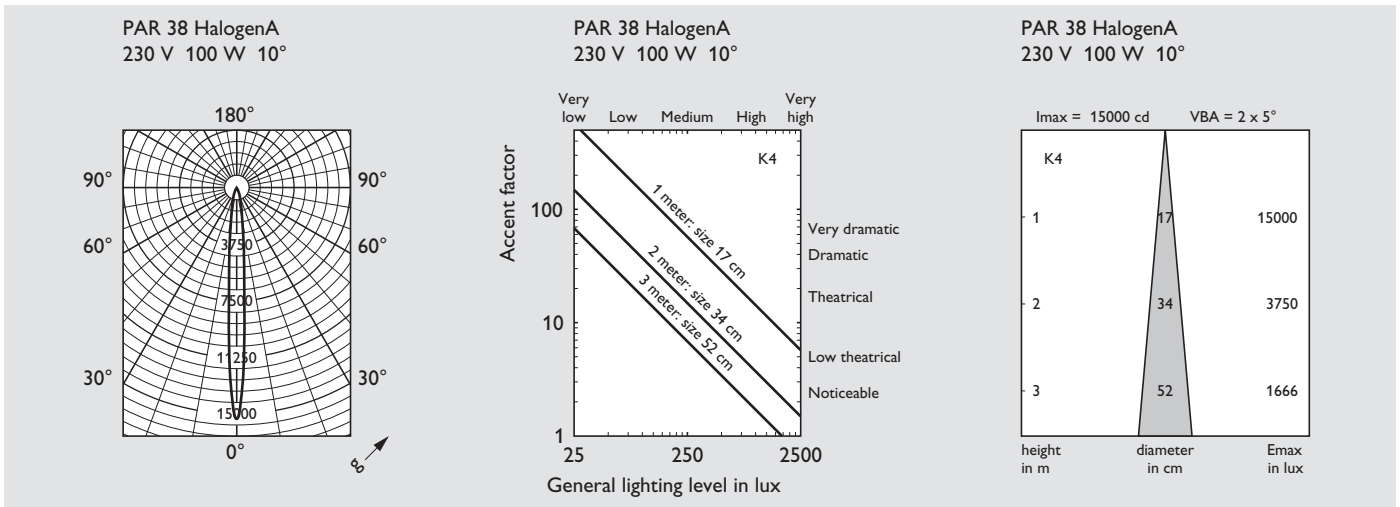
Heat distribution

Luminous intensity distribution and visual impact diagrams



Halogen lamps

PAR 38 HalogenA



Luminous intensity distribution and visual impact diagrams