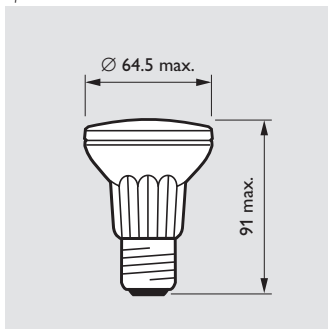


Halogen lamps

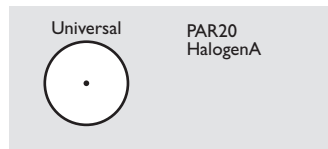
PAR 20 HalogenA



Spot



PAR20 HalogenA Dimensions in mm



Reflector lamps consisting of a mains-voltage hard glass burner optically positioned in a Parabolic, Aluminium-coated, pressed-glass Reflector (PAR) with new optical pressing design.

The sparkling and decorative image of the PAR 20 HalogenA is emphasised by its new and modern designed WISO® reflector found in each member of the PAR HalogenA family. This gives more light in the specified beam and a well-defined beam pattern.

Philips' mains-voltage HalogenA philosophy focuses on offering halogen solutions which fit in normal and existing luminaires. Unlike the HalogenA, which is a general-purpose lamp, the PAR HalogenA bundles the light and is suitable for accent applications.

The combination of the latest optical know-how and the halogen technology results in an intense beam with a clearly defined beam spread. The fact that the front glass is lightly stippled for the spot versions will strongly emphasise the effect of the sparkling reflector. The front glass protects the lamp for safety and from outside elements such as errant fingers and dust which could reduce the light output and affect the sparkling image. For wider beams, a faceted front glass is used thus ensuring a very homogeneous light distribution. In a PAR 20 flood application, the faceted front glass prevents glare. The PAR 20 HalogenA has two beam spreads - 10° and 25° - and is a complete retrofit halogen

replacement of incandescent R60/R63 reflector lamps of higher wattage. The PAR 20 HalogenA also incorporates the features applicable to halogen lamps in general, such as: a luminous flux which remains nearly constant throughout the lamp life; 2.5 times the lifetime of a normal incandescent lamp; natural colour rendering (Ra=100); and good luminous efficacy (more light less energy).

Not only the compactness of halogen light sources, the combination possibilities with modern luminaires and their decorativeness, but especially the bright and sparkling light make halogen a well-loved light source. These general lighting characteristics of halogen support the use of the PAR 20 HalogenA for accent and display lighting. The excellent colour rendering gives a realistic impression of the objects and during the whole lifetime of the lamp the displayed objects are accentuated according to the initial requirements.

Applications

Indoor

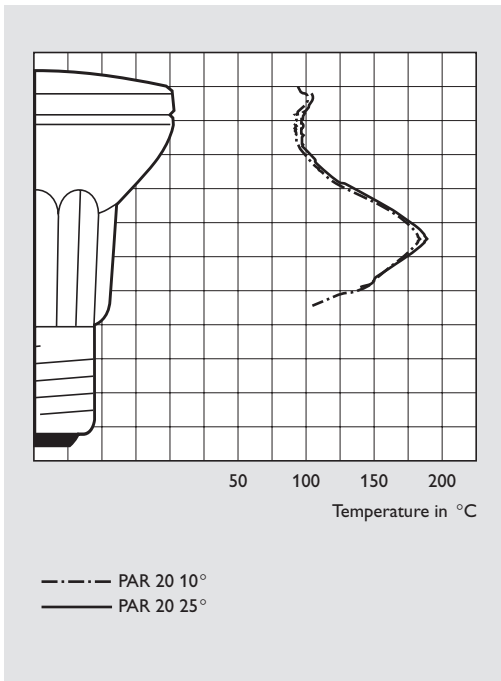
- Accent lighting in shops, especially for valuable goods
- Accent and task lighting in the home

Outdoor

The PAR 20 HalogenA can also be used outdoors, but should be protected from direct water contact. The luminaire, however, must certainly include a waterproof connection between the reflector and the luminaire. The reflector and burner are temperature shock resistant.

Type	V	W	Beam angle	Cap/base	Max luminous intensity cd	Correlated colour temperature K	Lamp life 50% h	Ordering number	EOC
ALUMINIUM									
PAR20 HalogenA	230V	50W	10DGR	E27	3000	2800	2500	9247 571 44200	494870
PAR20 HalogenA	230V	50W	25DGR	E27	1000	2800	2500	9247 572 44200	494894
PAR20 HalogenA	240V	50W	10DGR	E27	3000	2800	2500	9247 571 45500	494887
PAR20 HalogenA	240V	50W	25DGR	E27	1000	2800	2500	9247 572 45500	494900





Heat distribution

Lumen intensity distribution and visual impact diagrams

