

Incandescent reflector lamps

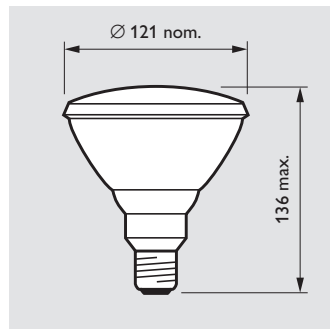
PAR38 Economy



PAR38 Flood



PAR38 Spot



PAR38 E27 Dimensions in mm

Pressed-glass reflector lamps of high luminous intensity, consuming 20% less energy yet producing the same useful light as conventional PAR lamps; available in Flood and Spot versions in various wattage and voltage ratings.

Especially suitable for accent lighting and downlighting applications, these hard glass lamps can be used indoors and outdoors or wherever blown-bulb reflector lamps would prove too vulnerable.

The Spot version has a stippled, patterned front glass producing a narrow homogeneous beam of 12 degs. It is mainly used for the illumination of smaller surfaces or for objects placed at greater distances and for dramatic modelling effects. The 24 V 120 W type is available for applications where very high illuminance levels are required, or where safety is particularly essential, e.g. in garden lighting.

The Flood version has a front glass made of prismatic elements producing a homogeneous floodlight beam of 30 degs. It is a very effective light source for illuminating large areas where high illuminance levels are required.

The lamps can be installed outdoors without any protection provided they are used in a watertight lampholder: A heat-resistant rubber ring should be fitted between the lamp and the lampholder.

Applications

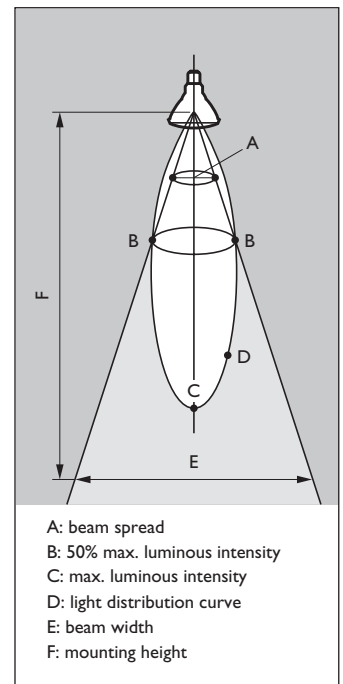
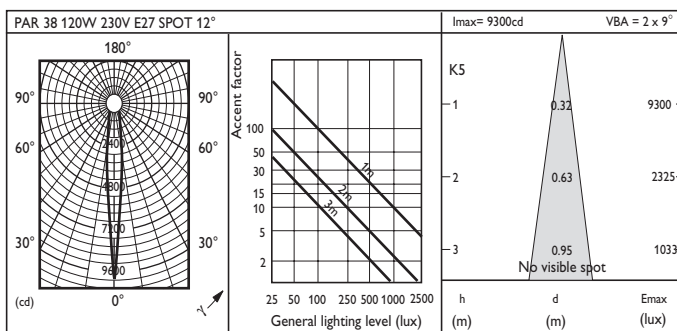
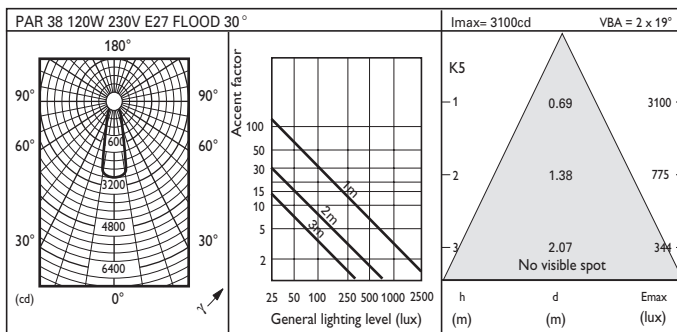
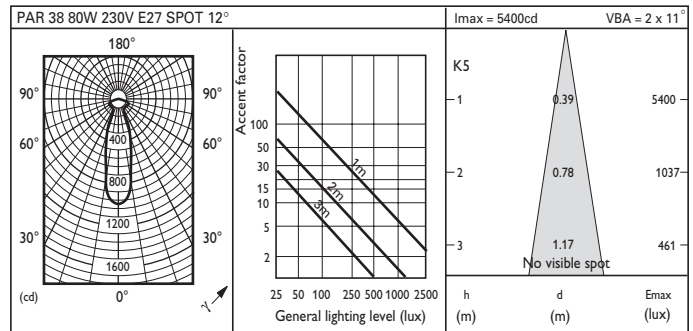
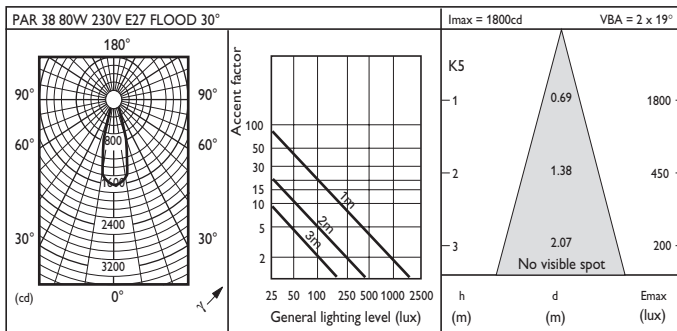
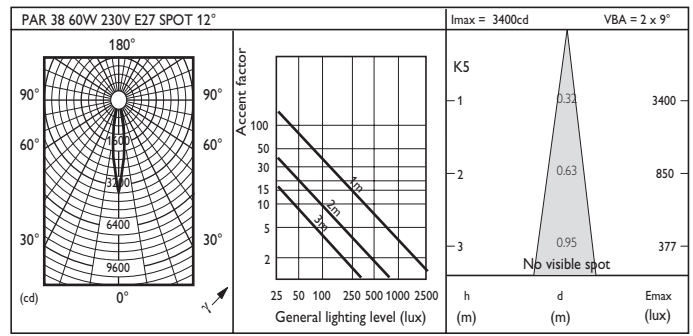
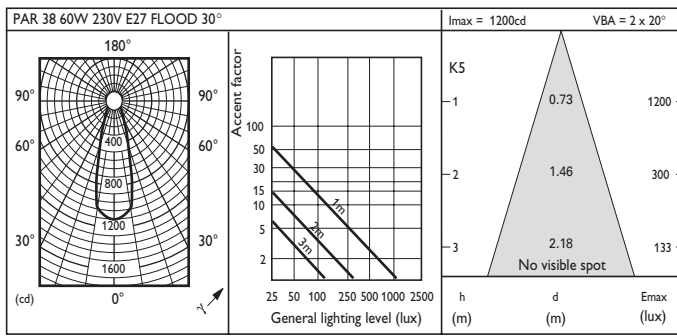
- Indoors: shops, window displays, homes, hotels, restaurants, theatres, museums, exhibitions and buildings.
- Outdoors: floodlighting, advertising signs, buildings, statues, podiums, sports grounds, parks and gardens.

Commercial name	Type	W	V	Cap/base	Finish	Lamp life 100% h	Max luminous intensity cd	Beam angle deg	Nett weight g	EOC
FLOOD										
SPOTONE	PAR38	60W	230V	E27	FLOOD	2000	1200	30	308	600394
SPOTONE	PAR38	60W	240V	E27	FLOOD	2000	1200	30	308	036162
SPOTONE	PAR38	80W	115V	E27	FLOOD	2000	2100	30	308	044983
SPOTONE	PAR38	80W	125-130V	E27	FLOOD	2000	2100	30	308	044990
SPOTONE	PAR38	80W	230V	E27	FLOOD	2000	1800	30	308	600400
SPOTONE	PAR38	80W	240V	E27	FLOOD	2000	1800	30	308	018564
SPOTONE	PAR38	80W	42V	E27	FLOOD	2000	3000	26	308	160928
SPOTONE	PAR38	120W	115V	E27	FLOOD	2000	3400	30	308	045003
SPOTONE	PAR38	120W	125-130V	E27	FLOOD	2000	3400	30	308	045010
SPOTONE	PAR38	120W	230V	E27	FLOOD	2000	3100	30	308	600417
SPOTONE	PAR38	120W	240V	E27	FLOOD	2000	3100	30	308	021359
SPOT										
SPOTONE	PAR38	60W	230V	E27	SPOT	2000	3400	12	308	600363
SPOTONE	PAR38	80W	125-130V	E27	SPOT	2000	6000	12	308	044945
SPOTONE	PAR38	80W	230V	E27	SPOT	2000	5400	12	308	600370
SPOTONE	PAR38	80W	240V	E27	SPOT	2000	5400	12	308	018571
SPOTONE	PAR38	120W	115V	E27	SPOT	2000	10500	12	308	044969
SPOTONE	PAR38	120W	125-130V	E27	SPOT	2000	10500	12	308	044976
SPOTONE	PAR38	120W	230V	E27	SPOT	2000	9300	12	308	600387
SPOTONE	PAR38	120W	240V	E27	SPOT	2000	9300	12	308	021366
SPOTONE	PAR38	120W	24V	E27	SPOT	2000	23000	10	308	044938



Incandescent reflector lamps

PAR38 Economy



Lighting data

Explanation of lighting data