

Incandescent reflector lamps

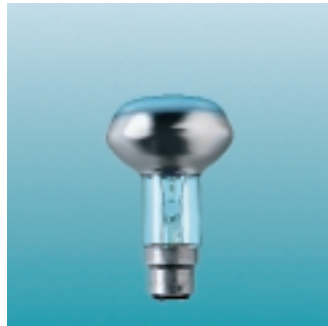
Ring mirror Spotline



NR80 E27 FR



NR50 E14 FR



NR63 B22d FR



NR63 E27 FR



NR95 E27 FR

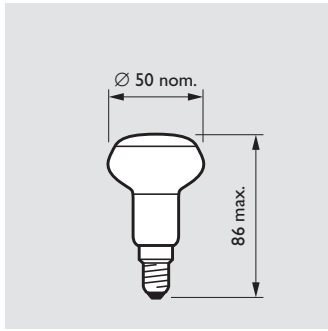
The Ring mirror Spotline lamp range uses advanced spotlighting technology with a computer-designed double-reflection optic. Where conventional reflector lamps have only single reflection, the Spotline reflector shape gives double reflection of part of the light emitted by the filament. Consequently more light is concentrated in the centre of the beam, resulting in beam centre intensities up to 100% higher than those of conventional reflector lamps. Other features are: immediate ignition, unlimited dimming possibilities and a universal burning position. Their beam spread and luminous intensity make the Ring mirror Spotline reflector lamps especially suitable for use wherever space is limited.

Following the general trend towards miniaturisation, they meet the demands for lamps in small luminaires. Spotline is a complete range of lamps available in a choice of diameters and wattage ratings. They can be used as a direct, easy replacement for conventional reflector lamps of all kinds, in many different types of luminaires and fixtures. The tapered profile of Spotline lamps makes them so much easier to install and remove. Replace the old lamp with a Spotline lamp of the corresponding size and rating and get all the benefits of high-performance, high-efficiency spotlighting.

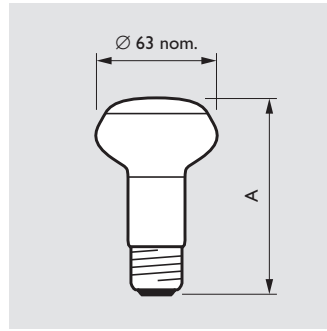


Incandescent reflector lamps

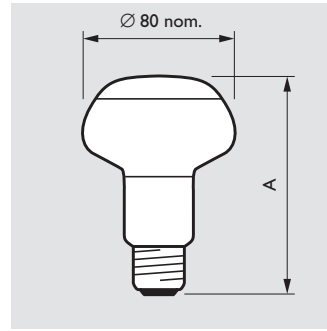
Ring mirror Spotline



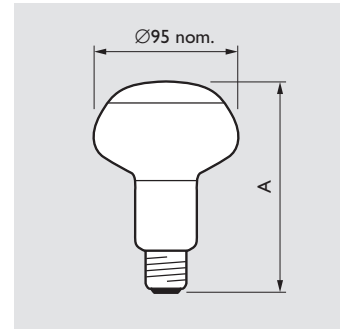
NR50 E14



| Type | A max. |
|-----------|--------|
| NR63 E26 | 103.0 |
| NR63 E27 | 104.0 |
| NR63 B22d | 103.0 |



| Type | A max. |
|-----------|--------|
| NR80 E26 | 115.0 |
| NR80 E27 | 116.0 |
| NR80 B22d | 114.0 |



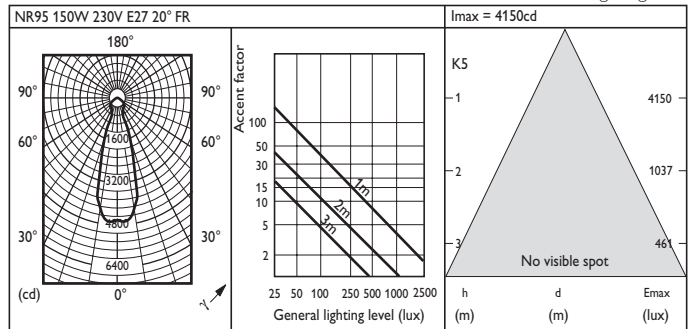
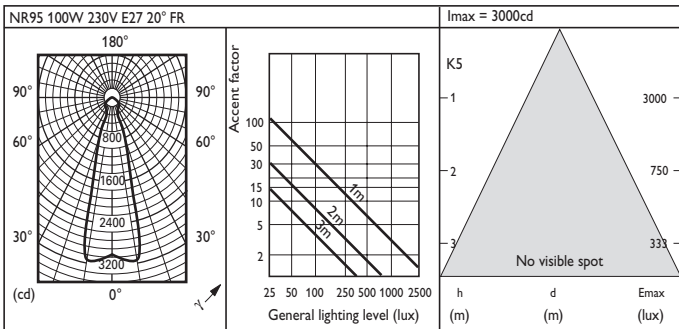
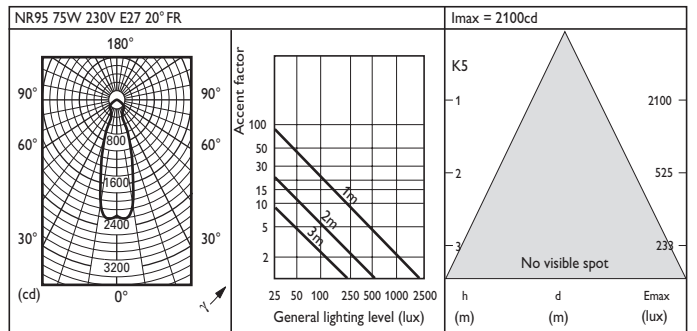
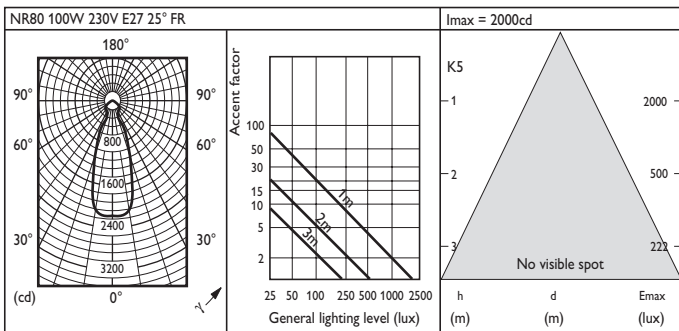
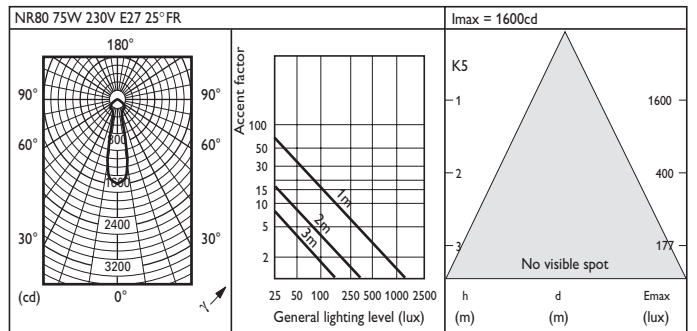
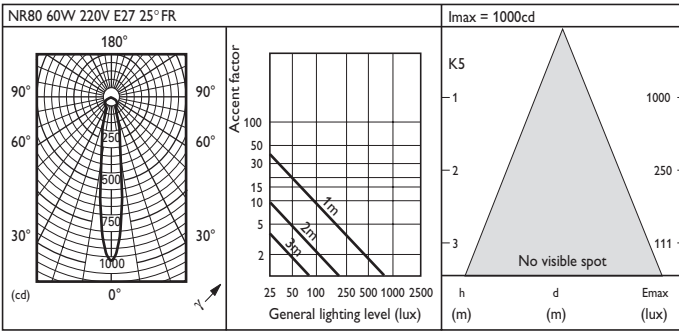
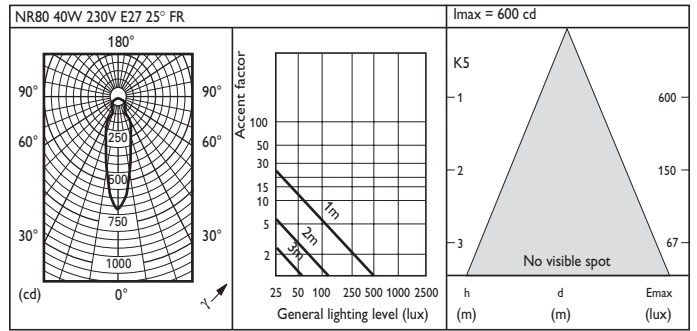
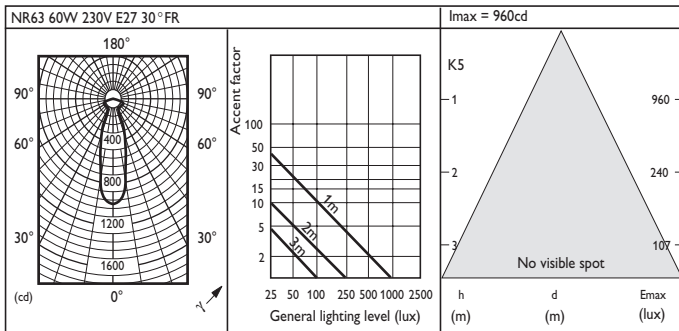
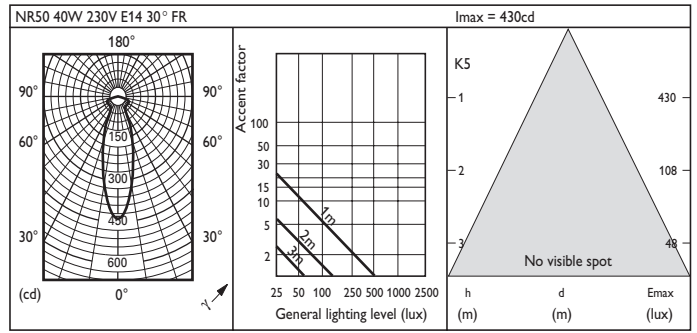
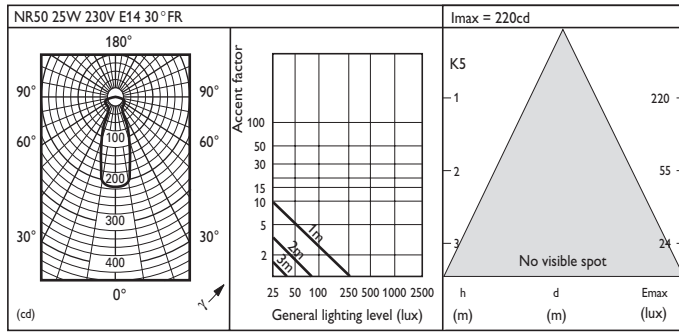
Dimensions in mm

| Type | A max. |
|-----------|--------|
| NR95 E27 | 139.0 |
| NR95 B22d | 137.0 |

| Commercial name | Type | W | V | Cap/base | Finish | Lamp life 100% h | Max luminous intensity cd | Nett weight g | EOC |
|-----------------|------|------|----------|----------|----------|------------------|---------------------------|---------------|--------|
| NR50 | | | | | | | | | |
| SPOTONE | NR50 | 25W | 230V | E14 | 30DGR FR | 1000 | 220 | 20 | 054128 |
| SPOTONE | NR50 | 25W | 240V | E14 | 30DGR FR | 1000 | 220 | 20 | 054135 |
| SPOTONE | NR50 | 40W | 125-130V | E14 | 30DGR FR | 1000 | 475 | 20 | 149855 |
| SPOTONE | NR50 | 40W | 230V | E14 | 30DGR FR | 1000 | 430 | 20 | 054159 |
| SPOTONE | NR50 | 40W | 240V | E14 | 30DGR FR | 1000 | 430 | 20 | 054166 |
| NR63 | | | | | | | | | |
| SPOTONE | NR63 | 25W | 230V | E27 | 30DGR FR | 1000 | 290 | 29 | 043566 |
| SPOTONE | NR63 | 25W | 240V | E27 | 30DGR FR | 1000 | 290 | 29 | 043573 |
| SPOTONE | NR63 | 30W | 120V | E26 | 30DGR FR | 2000 | 490 | 29 | - |
| SPOTONE | NR63 | 40W | 125-130V | E27 | 30DGR FR | 1000 | 600 | 29 | 043597 |
| SPOTONE | NR63 | 40W | 230V | E27 | 30DGR FR | 1000 | 540 | 29 | 043603 |
| SPOTONE | NR63 | 40W | 240V | E27 | 30DGR FR | 1000 | 540 | 29 | 043610 |
| SPOTONE | NR63 | 50W | 120V | E26 | 30DGR FR | 2000 | 875 | 29 | - |
| SPOTONE | NR63 | 60W | 125-130V | E27 | 30DGR FR | 1000 | 1050 | 29 | 043658 |
| SPOTONE | NR63 | 60W | 230V | E27 | 30DGR FR | 1000 | 960 | 29 | 043665 |
| SPOTONE | NR63 | 60W | 240V | B22D | 30DGR FR | 1000 | 960 | 33 | 043696 |
| SPOTONE | NR63 | 60W | 240V | E27 | 30DGR FR | 1000 | 960 | 29 | 043672 |
| SPOTONE | NR63 | 75W | 120V | E26 | 30DGR FR | 2000 | 1380 | 29 | - |
| NR80 | | | | | | | | | |
| SPOTONE | NR80 | 40W | 230V | E27 | 25DGR FR | 1000 | 600 | 43 | 065803 |
| SPOTONE | NR80 | 60W | 125-130V | E27 | 25DGR FR | 1000 | 1225 | 43 | - |
| SPOTONE | NR80 | 60W | 230V | E27 | 25DGR FR | 1000 | 1000 | 43 | 065810 |
| SPOTONE | NR80 | 60W | 240V | B22D | 25DGR FR | 1000 | 1000 | 46 | 065919 |
| SPOTONE | NR80 | 60W | 240V | E27 | 25DGR FR | 1000 | 1000 | 43 | 065834 |
| SPOTONE | NR80 | 75W | 230V | E27 | 25DGR FR | 1000 | 1600 | 43 | 064011 |
| SPOTONE | NR80 | 75W | 240V | E27 | 25DGR FR | 1000 | 1600 | 43 | 064028 |
| SPOTONE | NR80 | 100W | 120V | E26 | 25DGR FR | 2000 | 2100 | 43 | - |
| SPOTONE | NR80 | 100W | 125-130V | E27 | 25DGR FR | 1000 | 2300 | 43 | - |
| SPOTONE | NR80 | 100W | 230V | E27 | 25DGR FR | 1000 | 2000 | 43 | 064042 |
| SPOTONE | NR80 | 100W | 240V | B22D | 25DGR FR | 1000 | 2000 | 46 | 065933 |
| SPOTONE | NR80 | 100W | 240V | E27 | 25DGR FR | 1000 | 2000 | 43 | 064059 |
| NR95 | | | | | | | | | |
| SPOTONE | NR95 | 75W | 230V | E27 | 20DGR FR | 1000 | 2100 | 60 | 064288 |
| SPOTONE | NR95 | 75W | 240V | B22D | 20DGR FR | 1000 | 2100 | 63 | 064301 |
| SPOTONE | NR95 | 75W | 240V | E27 | 20DGR FR | 1000 | 2100 | 60 | 064295 |
| SPOTONE | NR95 | 100W | 125-130V | E27 | 20DGR FR | 1000 | 3300 | 60 | - |
| SPOTONE | NR95 | 100W | 230V | E27 | 20DGR FR | 1000 | 3000 | 60 | 064332 |
| SPOTONE | NR95 | 100W | 240V | E27 | 20DGR FR | 1000 | 3000 | 60 | 064349 |
| SPOTONE | NR95 | 150W | 125-130V | E27 | 20DGR FR | 1000 | 4550 | 60 | - |
| SPOTONE | NR95 | 150W | 230V | E27 | 20DGR FR | 1000 | 4150 | 60 | 064387 |
| SPOTONE | NR95 | 150W | 240V | E27 | 20DGR FR | 1000 | 4150 | 60 | 064394 |

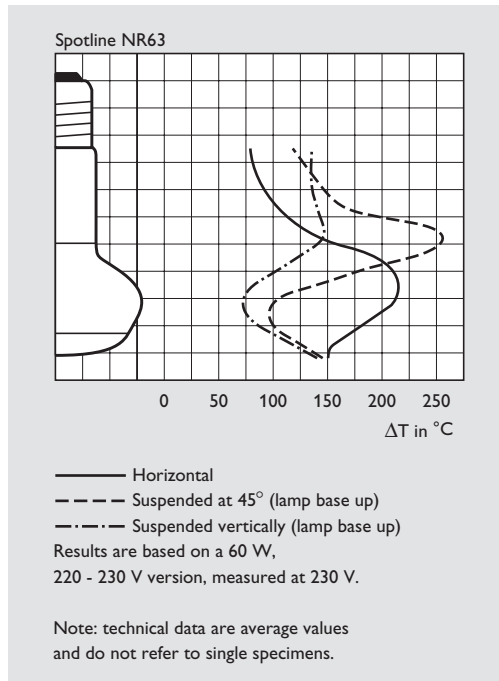
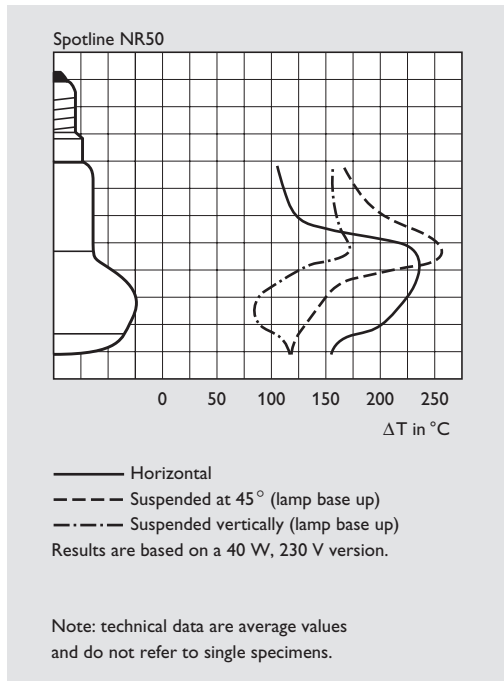
Incandescent reflector lamps

Ring mirror Spotline



Lighting data





Heat distributions

