

Starters for fluorescent lamps

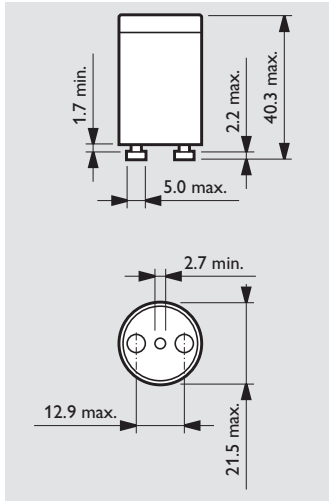
Lamp control gear



S10



S10-E



Dimensions in mm

Definition

Glow-switch, glow-switch control and electronic starters for fluorescent lamps.

Description

- Glow-switch and glow-switch control starters ensure reliable starting behaviour
- Electronic starters S2-E and S10-E incorporate dedicated integrated circuit, providing greater intelligence and reliability
- Electronic starters offer flicker-free ignition in 1.7 s, with lamp life extended by up to 25%.

Applications

The applications will be similar to those of the related lamps and ballasts. Glow-switch starters S2 and S10 are used in most applications; types S12 and S16 are used in combination with high-wattage 'TL' lamps. Glow-switch control starters are used against 'flickering' lamps.

Compliances and approvals

- Quality standard ISO 9001
- Environmental standard ISO 14001
- Approval marks ENEC, KEMA, VDE, CSA, UL, SEV, BSI
- CE Marking
- Glow-switch and glow-switch control starters:
 - Safety IEC 155
 - Performance IEC 155
- Electronic starters:
 - Safety EN 60926
 - Performance EN 60927.



Technical data

Type	Circuit	Mains voltage range V	Wattage range W	Lamp range	Approvals
S2	single	110-130	4-22	4, 6, 8, 14-16, 15, 18, 20, 22	ACDEF
S2	single	220-240	4-6-8	4, 6, 8	ACDEF
S2	series	220-240	4-22	4, 6, 8, 14-16, 15, 18, 20, 22	ACDEF
S10	single	220-240	4-65	4, 6, 8, 13, 14-16, 15, 16, 18, 20, 22, 23, 30, 32, 36, 38, 40, 58, 60, 65	ACDEF
S12	single	220-240	115-140	115, 140	ACEF
S16	single	240	70-125	70, 75, 85	D
SIS2	single	110-130	18-22	18, 20, 22	BC
SIS2	series	220-240	18-22	18, 20, 22	BC
SIS3	single	220-240	15-32	15, 16, 18, 20, 22, 30, 32	BC
SIS10	single	220-240	30-65	30, 32, 36, 38, 40, 58, 65	BC
S2-E	single	110-130	18-22	18, 20, 22	ACDG
S2-E	single	220-240	18-22	18, 20, 22	ACDG
S2-E	series	220-240	18-22	18, 20, 22	ACDG
S10-E	single	220-240	30-65	30, 32, 36, 38, 40, 58, 65	ACDG

*) 70, 75, 85, 100 W (1800 mm)

Ordering and packing data

Type	Ordering number	Box packing	Dimensions l x w x h cm	Weight gross kg	EAN code	EOC
		Qty.				
S2	9260 001 90055	1000	39.8 x 29.8 x 20	8.6	8711500 758361	758361
S10	9260 001 90155	1000	39.8 x 29.8 x 20	8.6	8711500 758477	758477
S12	9260 001 90355	1000	39.8 x 29.8 x 20	8.6	8711500 758415	758415
S16	9283 909 00055	1000	39.8 x 29.8 x 20	8.6	8711500 758385	758385
SIS-2	9283 904 00020	20 x 10	23.0 x 13.0 x 17.5	1.9	8711500 762702	762702
SIS-3	9283 908 00020	20 x 10	23.0 x 13.0 x 17.5	1.9	8711500 765161	765161
SIS-10	9283 910 00020	20 x 10	23.0 x 13.0 x 17.5	1.9	8711500 765192	765192
S2-E	9283 926 00004	24 x 10	27.2 x 22.6 x 9.6	2.1	8711500 762801	762801
S10-E	9283 927 00050	200	27.2 x 22.6 x 9.6	1.7	8711500 762986	762986

