

Compact fluorescent lamps non-integrated

PL-S 4-pin

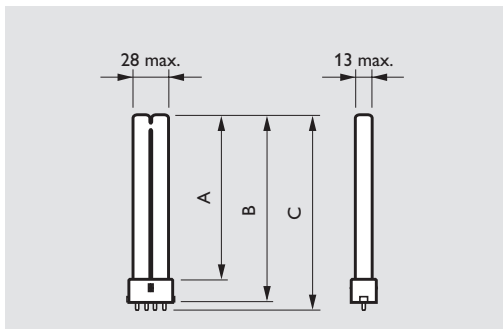


The PL-S 4-pin range of lamps forms part of the compact fluorescent non-integrated family of lamps. Compact long-arc low-pressure mercury discharge lamp with a clear glass envelope consisting of two parallel narrow fluorescent tubes welded together near the ends. It has a four-pin base without the special instant starter and capacitor. It is equipped with two pre-heated tungsten electrodes and filled with a mixture of saturated mercury vapour and an inert buffer gas.

This lamp is well adapted to be used in combination with electronic gear, offering the possibility of controllable light output, HF operation and independence from the supply system. It is, for instance, possible to use AC and DC supply and a wide range of supply voltages. Dimming is possible. The lamp characteristics are influenced by operating conditions and control gear used. The lamp performance is strongly governed by the temperature of the coolest spot, which is influenced by the lamp position.

Applications

- Hotels, restaurants, homes and theatres.
- Signs, corridors, security and orientation lighting.



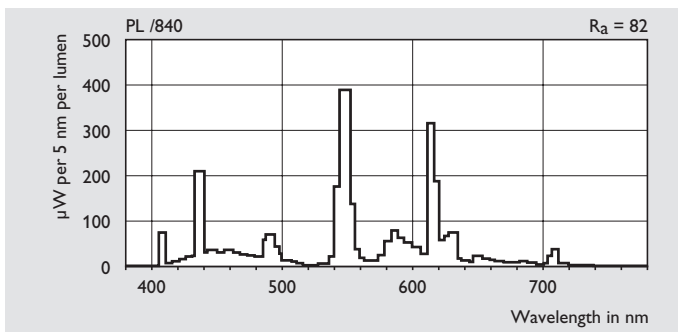
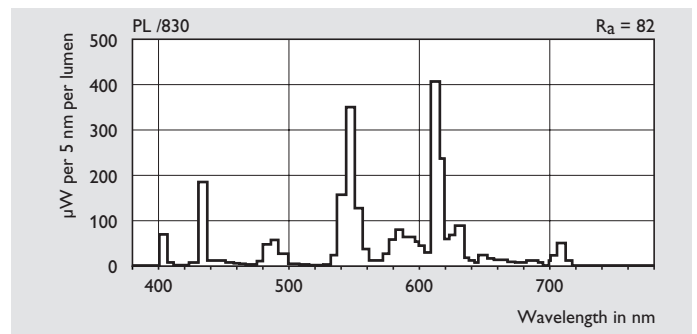
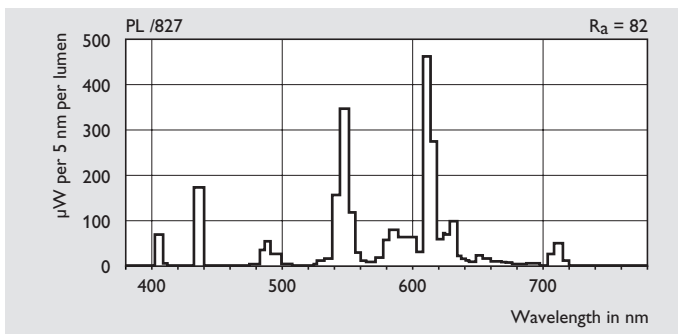
Dimensions in mm

Type	A max.	B max.	C max.
PL-S 5W/4P	66	83	90
PL-S 7W/4P	96	113	120
PL-S 9W/4P	128	145	152
PL-S 11W/4P	196	214	220

Type	Cap/ base	Lamp voltage	Lamp wattage	Lamp current	Lumen output	Efficacy	Corr. colour temp.	Chromaticity coordinates		Colour designation	Lumen maint.	Lumen maint.	Nett weight	Ordering number	EOC
		V	W	mA	lm	lm/W	K	x	y	2000hrs %	5000hrs %		g		
/827															
PL-S 5W/827/4P	2G7	27	5.0	190	250	50	2700	455	417	INCANDLIGHT	85	75	27	9279 007 08200	705204
PL-S 7W/827/4P	2G7	37	6.5	175	400	61	2700	455	417	INCANDLIGHT	90	80	35	9279 013 08200	705211
PL-S 9W/827/4P	2G7	48	8.0	170	600	75	2700	455	417	INCANDLIGHT	90	85	41	9279 019 08200	705228
PL-S 11W/827/4P	2G7	75	11.0	150	900	82	2700	455	417	INCANDLIGHT	95	90	58	9279 025 08200	705235
/830															
PL-S 7W/830/4P	2G7	37	6.5	175	400	61	3000	436	401	WARM WHITE	90	80	35	9279 013 08300	707192
PL-S 9W/830/4P	2G7	48	8.0	170	600	75	3000	436	401	WARM WHITE	90	85	41	9279 019 08300	707215
PL-S 11W/830/4P	2G7	75	11.0	150	900	82	3000	436	401	WARM WHITE	95	90	58	9279 025 08300	707239
/840															
PL-S 5W/840/4P	2G7	27	5.0	190	250	50	4000	381	379	COOL WHITE	85	75	27	9279 007 08400	610133
PL-S 7W/840/4P	2G7	37	6.5	175	400	61	4000	381	379	COOL WHITE	90	80	35	9279 013 08400	705259
PL-S 9W/840/4P	2G7	48	8.0	170	600	75	4000	381	379	COOL WHITE	90	85	41	9279 019 08400	705266
PL-S 11W/840/4P	2G7	75	11.0	150	900	82	4000	381	379	COOL WHITE	95	90	58	9279 025 08400	705273

Compact fluorescent lamps non-integrated

PL-S 4-pin



Spectral power distributions

