

# Bourdon Tube Pressure Gauges

Industrial Series • Model 212.20

## Pressure Gauges

Approval German Lloyd



### Service intended

Industrial pressure gauge. Suitable for all gaseous and liquid media that will not obstruct the pressure system or attack copper alloy parts.

### Design

EN 837-1

### Nominal size

100 and 160 mm

### Accuracy class per EN 837-1 /6

1.0

### Scale ranges per EN 837-1 /5

100 mm: 0 ... 0.6 to 0 ... 1000 bar

160 mm: 0 ... 0.6 to 0 ... 1600 bar

or other equivalent units pressure or vacuum.

### Working pressure

Steady: full scale value

Fluctuating: 0.9 x full scale value

Short time: 1.3 x full scale value

### Operating temperature

Ambient: -40 ... +60 °C

Medium: +60 °C maximum

### Temperature error

Additional error when temperature of the pressure element deviates from +20 °C

Rising temperature: +0.4%/10 K of true scale value

Falling temperature: -0.4%/10 K of true scale value

### Degree of protection

IP 54 per EN 60 529 / IEC 529

### Standard features

#### Pressure connection

Material: Cu-alloy

Threaded entry (radial or back) per EN 873-1 /7.3

G ½ B (male), 22 mm flats

#### Pressure element

< 100 bar: Cu-alloy, C-type, soft soldered

≥ 100 bar: stainless steel 1.4571, helical type, brazed

#### Movement

Cu-alloy, wear parts argentan

#### Dial

White aluminium with black lettering

#### Pointer

Black aluminium



### Case

Natural finish stainless steel

### Window

Instrument glass

### Bezel ring

Cam ring (bayonet type), natural finish stainless steel

### Optional extras

- Other pressure connection
- 100 mm: liquid filling (**model 213.53**, see data sheet PM 02.12)
- 160 mm: liquid filling (**model 213.20**)
- Medium temperature to 100 °C with special soft solder
- Medium temperature to 200 °C (see data sheet PM 02.02)
- 3-hole surface or panel mounting flange, stainless steel
- 3-hole panel mounting flange, stainless steel, polished
- Triangular bezel, stainless steel, polished, with clamp
- Alarm contacts (see data sheet AE 08.01)

### Special versions

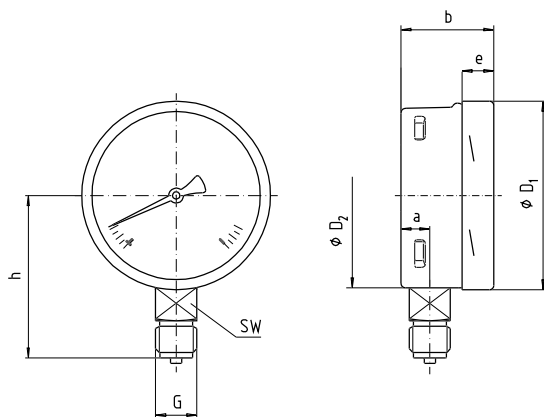
#### Refrigerant gauges

100 mm: featuring scales in °C for refrigerants R 744, R 764, R 40, R 22 or R 134a

## Dimensions

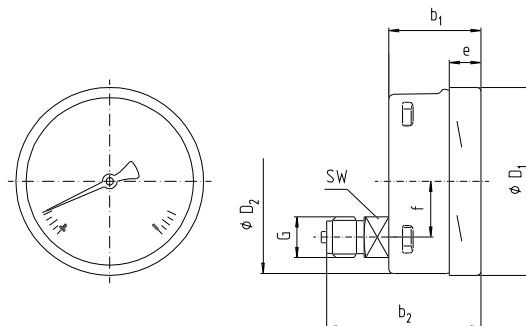
### Standard version

100 mm, radial bottom pressure entry



1520 857.01

100 mm, lower back pressure entry



1520 865.01

Nominal size	Dimensions [mm]											Weight [kg]
	a	b	b <sub>1</sub>	b <sub>2</sub>	D <sub>1</sub>	D <sub>2</sub>	e	f	G	h ± 1	SW	
100	15.5	49.5	49.5	83	101	99	17.5	30	G ½ B	87	22	0.60
160	15.5	49.5 <sup>2)</sup>	49.5 <sup>1)</sup>	83 <sup>1)</sup>	161	159	17.5	50	G ½ B	118	22	1.10

Standard pressure entry with parallel thread and seating to EN 837-1 /7.3.

1) Plus 16 mm with pressure ranges ≥ 100 bar

2) Plus 16 mm with pressure range 1600 bar

## Ordering information

State:

Pressure gauge model / Nominal size / Scale range / Size and location of connection / Optional extras required

Specifications and dimensions given in this leaflet represent the state of engineering at the time of printing. Modifications may take place and materials specified may be replaced by others without prior notice.



**WIKA Alexander Wiegand GmbH & Co.**  
 Alexander-Wiegand-Straße · 63911 Klingenberg  
 ☎ (0 9372) 132-0 · ☒ (0 9372) 132-406/414  
<http://www.wika.de> · E-mail: info@wika.de