

### FEATURES

- Compact design and low weight enabling easy installation on all series 290 & 390 valves with 90 & 125 mm operators
- Manual operator allows an easy installation
- AC/DC interchangeability of the solenoid without disassembly of the valve
- The solenoid valves satisfy all relevant EC Directives

### GENERAL

**Max. pilot pressure** 0 to 10 bar [1 bar = 100 kPa]  
**Maximum viscosity** 40 cSt (mm<sup>2</sup>/s)  
**Response time** See page V402-7

pilot (series)	fluids (*)	temperature range (TS)	seal materials (*)
374	filtered air and water	- 10°C to + 60°C	NBR (nitrile)
356			

### MATERIALS IN CONTACT WITH FLUID

(\*) Ensure that the compatibility of the fluids in contact with the materials is verified

	Pilot 374	Pilot 356
<b>Body</b>	Brass or st. steel AISI 316L	Brass or st. steel AISI 316
<b>Core tube</b>	Stainless steel	Stainless steel
<b>Core and plugnut</b>	Stainless steel	Stainless steel
<b>Springs</b>	Stainless steel	Stainless steel
<b>Seats</b>	Brass	Brass
<b>Seals</b>	NBR	FPM
<b>Shading coil</b>	Copper	Copper

### ELECTRICAL CHARACTERISTICS

**Coil insulation class** F  
**Connector** Spade plug (cable Ø 6-10 mm)  
**Connector specification** ISO 4400 / EN 175301-803, form A  
**Electrical safety** IEC 335  
**Electrical enclosure protection** Moulded IP65 (EN 60529)  
**Standard voltages** DC (=) : 24V - 48V  
 (Other voltages and 60 Hz on request) AC (~) : 24V - 48V - 115V - 230V / 50 Hz

prefix option	power ratings				operator ambient temperature range (TS) (C°)	replacement coil		type <sup>(1)</sup>
	inrush ~	holding ~	hot/cold =			~	=	
	(VA)	(VA)	(W)	(W)		230 V/50 Hz	24 V DC	
SC	55	23	10,5	9 / 11,2	-10 to + 60	400425-117	400425-142	01
	10,4	6	3,5	5 / 7	-10 to + 60	43005539	43005533	02

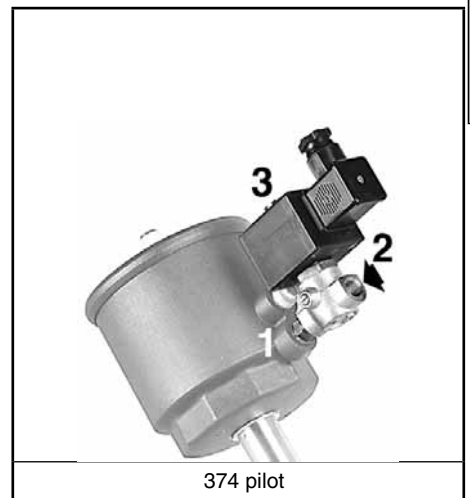
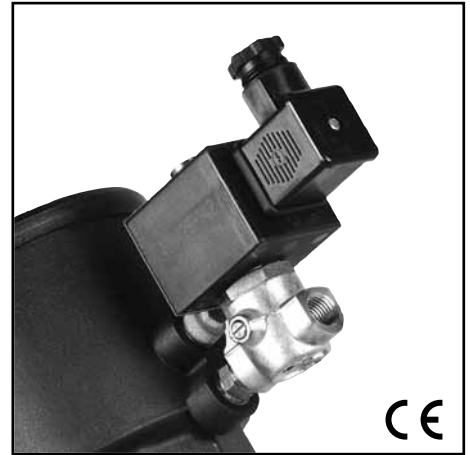
<sup>(1)</sup> Refer to the dimensional drawings on the following page.

### SPECIFICATIONS

pipe size	orifice size		flow coefficient Kv				operating pressure differential (bar)				power coil (W)		catalogue number		
	2→1 (mm)	1→3 (mm)	2→1		1→3		min. ( <sup>3</sup> )	max. (PS)		~	=	with maintained manual operator			
			(m <sup>3</sup> /h)	(l/min)	(m <sup>3</sup> /h)	(l/min)		air (*)	water (*)			brass body	stainless steel body		
G							~	=	~	=	~	=	~/=	~/=	
<b>NC - Normally closed, series 374</b>															
1/4	2,7	2,5	0,22	3,6	0,15	2,5	0	10	10	10	10	10,5	11,2	SCE374A098MS <sup>(2)</sup>	SCE374A085MS <sup>(2)</sup>
<b>NC - Normally closed, series 356</b>															
1/4	1,6	1,2	0,08	1,33	0,05	0,8	0	10	10	10	10	3,5	7	SCG356A467VMS <sup>(2)</sup>	SCG356A473VMS <sup>(2)</sup>

<sup>(2)</sup> Solenoid valve with 1/4 adapter.

<sup>(3)</sup> Refer to leaflets on series 290/390 valves which show the minimum pilot pressure for each version of the product.



D

### OPTIONS

- Explosionproof enclosures for use in zones 1/21-2/22, categories 2-3 to ATEX Directive 94/9/EC (see "Explosionproof solenoids" section)
- flow control device to fit port 3 (to increase air-operated pilot depressurization time):  
M5, catalogue number: **34600380** / 1/8, catalogue number: **34600107**
- 374 pilot: Class H coil
- Plug with visual indication and peak voltage suppression or with cable length of 2 m (see Solenoids, Coils & Accessories section)

### INSTALLATION

- The solenoid valves can be mounted in any position without affecting operation
- Pipe connection 1/4 (G\*) has standard combination thread according to ISO 228/1 and ISO 7/1. Pipe connection G 1/8 or G 1/4 has standard thread according to ISO 228/1
- Installation/maintenance instructions are included with each valve

### SPARE PARTS KIT

catalogue number	spare parts kit no.		
	~	=	maintained manual operator
SCE374A098 MS	<b>C140038</b>	<b>C140037</b>	<b>C140048</b>

### ORDERING EXAMPLES:

SC E 374 A 098 MS	230V / 50 Hz
SC G 356 A 467 VMS	24V / DC
catalogue number _____	_____ voltage


### ORDERING EXAMPLES KITS:

C140037
basic number _____

### DIMENSIONS (mm), WEIGHT


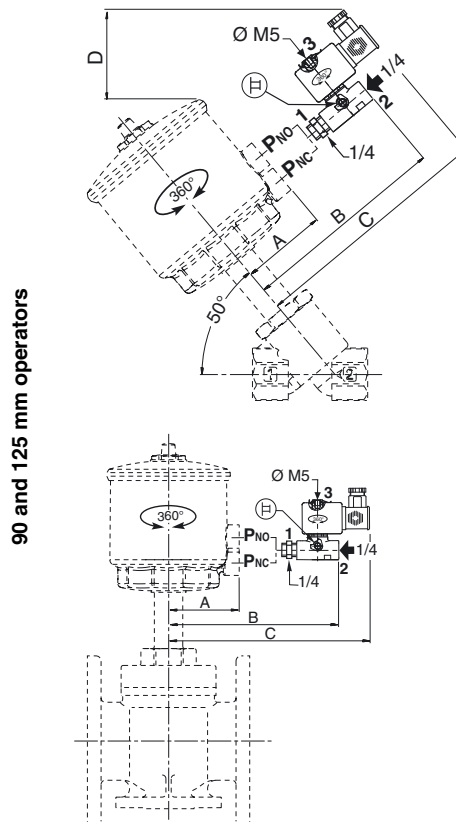
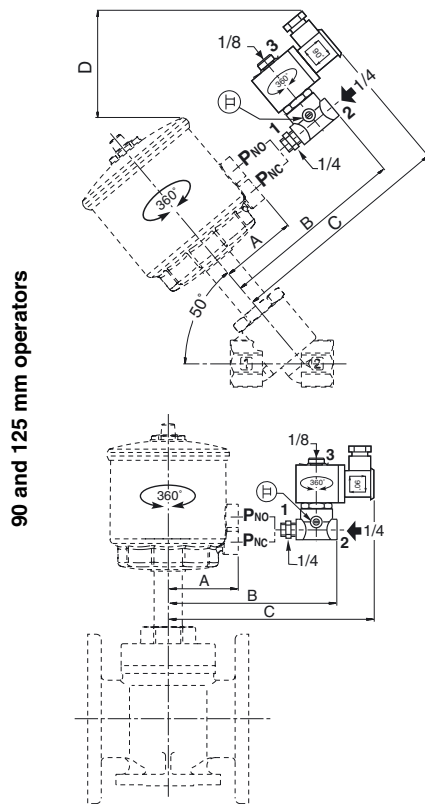
**TYPE 01**  
Prefix "SC" Solenoid (Pilot 374)  
Epoxy moulded  
IEC 335 / ISO 4400  
IP65

**SCE374A098MS/085MS**



**TYPE 02**  
Prefix "SC" Solenoid (Pilot 356)  
IEC 335 / ISO 4400  
IP65

**SCG356A467VMS/473VMS**

type	prefix option	pilot	operator diameter	A	B	C	D		pilot inlet		weight <sup>(1)</sup>
							NC	NO	NC	NO	
01	SC	374 series	90 mm	67	128	166	72	91	P <sub>NC</sub>	P <sub>NO</sub>	0,530
			125 mm	86	147	185	123	142			
02	SC	356 series	90 mm	67	119	147	44	63	P <sub>NC</sub>	P <sub>NO</sub>	0,253
			125 mm	86	138	166	95	114			

<sup>(1)</sup> including adapter connection, coil and connector.

All leaflets are available on: [www.asconumatics.eu](http://www.asconumatics.eu)

V444-2

**wexon** Juhanilantie 4, O1740 Vantaa • puh: 09-240 440 • fax: 09-290 44 100 • [www.wexon.fi](http://www.wexon.fi) • [wexon@wexon.fi](mailto:wexon@wexon.fi)