



Description

OptiLine Mini-trunking is a smoothly shaped range providing quick and easy concealed installation of cables and wiring for power and low voltage. OptiLine mini-trunking, made up by a base profile and a snap-fitted cover, is available in three materials; aluminium, lead and cadmium-free PVC or halogen-free PC/ABS. Accessories, like corner and end-pieces, are made of halogen-free PC/ABS.

The PVC and PC/ABS trunking are approved for single-insulated cable if non-metallic fasteners are used. One, two, and three-compartment trunking can be combined by using a branching piece.

The sizes 12x20 and 18x20 are also available with bonding tape on the back of the base profile. Note however that if only bonding tape is used to fix the trunking to the wall, these two types are not approved for power cabling.

Both cover and base profile are U-shaped and therefore stable during handling. The base profile is provided with pre-punched holes to facilitate mounting on the wall. The cover cannot be removed without a tool.

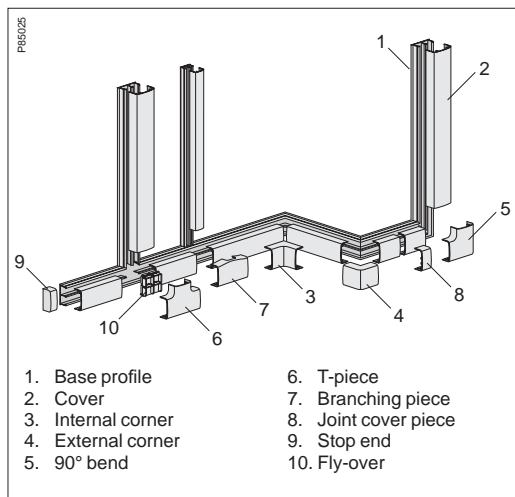
Benefits

- Wide range – 6 sizes in PVC, 4 sizes in halogen-free plastic and 3 sizes in aluminium
- Impact-resistant and tamper-proof. Can only be opened with tools.
- Smooth design
- U-shaped profiles – easy to handle
- Pre-punched holes – easy to install
- IP40 protection. Plastic trunking classified for single-insulated wires.
- Can be used both indoors and outdoors
- Branching piece – easy to combine different sizes
- Partition walls can be removed to allow space for larger cables
- Environment-friendly – no heavy metals, halogen-free alternatives

Technical and Material data

Aluminium (base, cover)	Surface treatment:	Natural anodized or powder coated white RAL 9010
	Density:	2.7 g/cm ³
	Linear expansion:	24x10 ⁻⁶ /°C
PVC (base, cover)	Characteristics:	Rigid, self-extinguishing, cadmium-free, lead-free
	Colours:	White RAL 9010
	Density:	1.5 g/cm ³
PC/ABS (base, cover, accessories)	Characteristics:	Halogen-free
	Colours:	White RAL 9010 Aluminium metallic (painted)
	Density:	1.14 g/cm ³
ABS (fly-over)	Characteristics:	Halogen-free
	Colour:	White
	Density:	1.05 g/cm ³
Degree of protection	IP40	
Installation and application temperature	Plastic trunking: -15/+60°C (12x20 and 18x20) -25/+60°C (12x30, 18x35, 18x45 and 25x60)	
Resistance to impact	Plastic trunking: • 1J (12x20 and 18x20) • 2J (12x30, 18x35, 18x45 and 25x60)	
Delivery lengths	2.1 metres	
Standards and certificates	The product complies with the standards: • EN 50085-1:2005 • EN 50085-2-1:2006 The products satisfy the provisions for CE marking according to the Low Voltage Directive 73/23/EEC and 98/68/EEC. The products comply with the RoHS directive 2002/95/EC (Restriction of Hazardous Substances)	

Exploded view



Mounting instruction

Mounting instruction is enclosed with the product. It is also available on PI@net.

Art.No. 0075252 / 20051442 OptiLine Mini-trunking

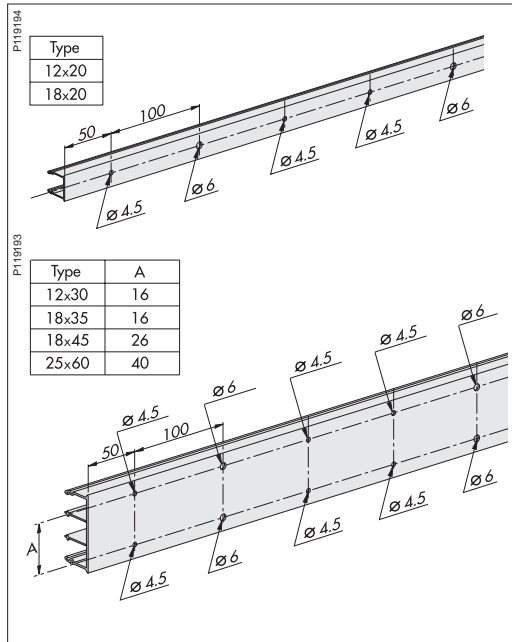
Product Environmental Facts

Product Environmental Fact files are available on PI@net.

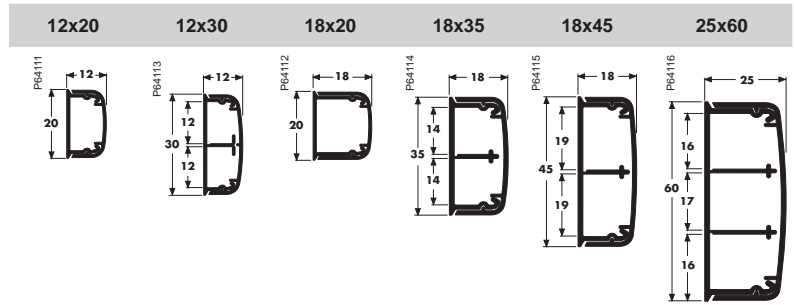
Package info

Package information is included in the Prodcat file, which is available on Yepnet.

Pre-punched hole dimensions



Design and dimensions, material



12x20	12x30	18x20	18x35	18x45	25x60
Aluminium	Aluminium	Aluminium	Aluminium	Aluminium	Aluminium
PVC*	PVC	PVC*	PVC	PVC	PVC
PC/ABS*	PC/ABS*	PC/ABS*	PC/ABS	PC/ABS	PC/ABS

*Also available with bonding tape

Cable capacity

Comp.	Max. cable Ø mm	Cross section area mm ²	Cable capacity mm ²			Diagram
			40%	50%	60%	
12x20						
1	10	148	59	74	89	
12x30						
1	9	115	46	57	69	
2	9	115	46	57	69	
18x20						
1	15	246	98	123	148	
18x35						
1	12.5	201	80	100	120	
2	12.5	201	80	100	120	
18x45						
1	14	278	111	139	167	
2	14	278	111	139	167	
25x60						
1	15	339	135	170	203	
2	17	389	135	170	203	
3	15	339	135	170	203	


Mini-trunking

Type	Colour	Dimensions A/B/C (mm)		Qty per package	EAN code	Internal ID-No.	Ref. No.
PVC mini-trunking							
Mini-trunking including base profile with one, two or three compartments, and snap-fitted cover. Partition walls can be removed. With pre-punched mounting holes at 100 mm centres. Suitable for power and low voltage cables. Approved for single-insulated cable if non-metallic fastener is used. Supplied in 2.1 m lengths. Material: PVC.							
P83321 	With one compartment	White RAL 9010	20/12/2100	42 m	3606480310737	20063439	ISM14100
P83323 	With two compartments	White RAL 9010	30/12/2100	42 m	3606480310911	20063438	ISM14200
P83322 	With one compartment	White RAL 9010	20/18/2100	42 m	3606480310980	20063441	ISM14300
P83324 	With two compartments	White RAL 9010	35/18/2100	42 m	3606480311161	20063443	ISM14400
P83325 	With two compartments	White RAL 9010	45/18/2100	42 m	3606480311352	20063444	ISM14500
P83326 	With three compartments	White RAL 9010	60/25/2100	21 m	3606480311437	20063445	ISM14600
PVC mini-trunking with bonding tape							
Mini-trunking including base profile with one compartment and snap-fitted cover. With pre-punched mounting holes at 100 mm centres. Provided with bonding tape on the back of the base profile. Not approved for power cabling if the trunking is only fixed to the wall by the tape. If the fixing by tape is combined with screw-fixing, power cables may also be installed. Approved for single-insulated cable if non-metallic fastener is used for the combined fixing. Supplied in 2.1 m lengths. Material: PVC.							
P83321 	With one compartment	White RAL 9010	20/12/2100	42 m	3606480310805	20063440	ISM14125
B83322 	With one compartment	White RAL 9010	20/18/2100	42 m	3606480311055	20063442	ISM14325







Mini-trunking

	Type	Colour	Dimensions A/B/C (mm)	Qty per package	EAN code	Internal ID-No.	Ref. No.
PC/ABS (halogen-free) mini-trunking							
Mini-trunking including base profile with one, two or three compartments and snap-fitted cover. Partition walls can be removed. With pre-punched mounting holes at 100 mm centres. Suitable for power and low voltage cables. Approved for single-insulated cable if non-metallic fastener is used. Supplied in 2.1 m lengths. Material: PC/ABS.							
P83321	With one compartment	White RAL 9010	20/12/2100	42 m	3606480310812	20063432	ISM14130
P83322	With one compartment	White RAL 9010	20/18/2100	42 m	3606480311062	20063434	ISM14330
P83324	With two compartments	White RAL 9010	35/18/2100	42 m	3606480311253	20063436	ISM14430
P83326	With three compartments	White RAL 9010	60/25/2100	21 m	3606480311529	20063437	ISM14630
PC/ABS (halogen-free) mini-trunking with bonding tape							
Mini-trunking including base profile with one compartment and snap-fitted cover. Partition walls can be removed. With pre-punched mounting holes at 100 mm centres. Provided with bonding tape on the back of the base profile. Not approved for power cabling if the trunking is only fixed to the wall by the tape. If the fixing by tape is combined with screw-fixing, power cables may be installed. Approved for single-insulated cable if non-metallic fastener is used for the combined fixing. Supplied in 2.1 m lengths. Material: PC/ABS.							
P83321	With one compartment	White RAL 9010	20/12/2100	42 m	3606480310829	20063433	ISM14135
P83322	With one compartment	White RAL 9010	20/18/2100	42 m	3606480311079	20063435	ISM14335
Aluminium mini-trunking							
Mini-trunking including base profile with one or two compartments and snap-fitted cover. With pre-punched mounting holes at 400 mm centres. Suitable for power and low voltage cables. Supplied in 2.1 m lengths (please note that the base unit for aluminium mini-trunking is pcs). Material: Aluminium, natural anodized or powder coated white.							
P83318	With one compartment	Anodized White RAL 9010	20/12/2100	10	3606480310836 3606480310904	20063447 20063448	ISM14150 ISM14170
P83319	With one compartment	Anodized White RAL 9010	20/18/2100	10	3606480311086 3606480311154	20063449 20063450	ISM14350 ISM14370
P83320	With two compartments	Anodized White RAL 9010	35/18/2100	10	3606480311260 3606480311345	20063451 20063452	ISM14450 ISM14470


Accessories

Type	Colour	Dimensions A/B/C (mm)		Qty per package	EAN code	Internal ID-No.	Ref. No.
Internal corner							
Internal corner to be snap-fitted onto the mini-trunking base. Material: PC/ABS.							
 PB3921	For 12x20 mini-trunking	White RAL 9010 Alu metallic	20/40/40	10	3606480310744 3606480310843	20063414 20063415	ISM14101 ISM14151
	For 12x30 mini-trunking	White RAL 9010	32/40/40	10	3606480310928	20063416	ISM14201
	For 18x20 mini-trunking	White RAL 9010 Alu metallic	20/45/45	10	3606480310997 3606480311093	20063417 20063418	ISM14301 ISM14351
	For 18x35 mini-trunking	White RAL 9010 Alu metallic	37/45/45	10	3606480311178 3606480311277	20063419 20063420	ISM14401 ISM14451
	For 18x45 mini-trunking	White RAL 9010	47/45/45	10	3606480311369	20063421	ISM14501
	For 25x60 mini-trunking	White RAL 9010	62/53/53	10	3606480311444	20063422	ISM14601
External corner							
External corner to be snap-fitted onto the mini-trunking base. Material: PC/ABS.							
 PB3922	For 12x20 mini-trunking	White RAL 9010 Alu metallic	22/36/36	10	3606480310751 3606480310850	20063399 20063400	ISM14102 ISM14152
	For 12x30 mini-trunking	White RAL 9010	32/36/36	10	3606480310935	20063401	ISM14202
	For 18x20 mini-trunking	White RAL 9010 Alu metallic	22/42/42	10	3606480311000 3606480311109	20063402 20063403	ISM14302 ISM14352
	For 18x35 mini-trunking	White RAL 9010 Alu metallic	37/42/42	10	3606480311185 3606480311284	20063404 20063406	ISM14402 ISM14452
	For 18x45 mini-trunking	White RAL 9010	47/42/42	10	3606480311376	20063408	ISM14502
	For 25x60 mini-trunking	White RAL 9010	62/49/49	10	3606480311451	20063410	ISM14602
Bend, 90°							
90 degree bend to be used in junctions between horizontal and vertical applications. To be snap-fitted onto the mini-trunking base. Material: PC/ABS.							
 PB3924	For 12x20 mini-trunking	White RAL 9010 Alu metallic	12/40/40	10	3606480310768 3606480310867	20063390 20063391	ISM14103 ISM14153
	For 12x30 mini-trunking	White RAL 9010	12/50/50	10	3606480310942	20063392	ISM14203
	For 18x20 mini-trunking	White RAL 9010 Alu metallic	18/40/40	10	3606480311017 3606480311116	20063393 20063394	ISM14303 ISM14353
	For 18x35 mini-trunking	White RAL 9010 Alu metallic	18/55/55	10	3606480311192 3606480311291	20063395 20063396	ISM14403 ISM14453
	For 18x45 mini-trunking	White RAL 9010	18/65/65	10	3606480311383	20063397	ISM14503
	For 25x60 mini-trunking	White RAL 9010	24/80/80	10	3606480311468	20063398	ISM14603
Stop end							
Stop end to be snap-fitted at the end of the mini-trunking base. Material: PC/ABS.							
 PB3925	For 12x20 mini-trunking	White RAL 9010 Alu metallic	22/15/13	10	3606480310775 3606480310874	20063453 20063454	ISM14104 ISM14154
	For 12x30 mini-trunking	White RAL 9010	32/15/13	10	3606480310959	20063455	ISM14204
	For 18x20 mini-trunking	White RAL 9010 Alu metallic	22/15/19	10	3606480311024 3606480311123	20063456 20063457	ISM14304 ISM14354
	For 18x35 mini-trunking	White RAL 9010 Alu metallic	37/15/19	10	3606480311208 3606480311307	20063458 20063459	ISM14404 ISM14454
	For 18x45 mini-trunking	White RAL 9010	47/15/19	10	3606480311390	20063460	ISM14504
	For 25x60 mini-trunking	White RAL 9010	62/17/26	10	3606480311475	20063461	ISM14604

Accessories

	Type	Colour	Dimensions A/B/C (mm)		Qty per package	EAN code	Internal ID- No.	Ref. No.
	Joint cover piece							
	Joint cover piece to cover joints between mini-trunking covers. Material: PC/ABS.							
	For 12x20 mini-trunking	White RAL 9010 Alu metallic	22/22/13		10	3606480310782 3606480310881	20063423 20063424	ISM14105 ISM14155
	For 12x30 mini-trunking	White RAL 9010	32/22/13		10	3606480310966	20063425	ISM14205
	For 18x20 mini-trunking	White RAL 9010 Alu metallic	22/22/19		10	3606480311031 3606480311130	20063426 20063427	ISM14305 ISM14355
	For 18x35 mini-trunking	White RAL 9010 Alu metallic	37/22/19		10	3606480311215 3606480311314	20063428 20063429	ISM14405 ISM14455
	For 18x45 mini-trunking	White RAL 9010	47/22/19		10	3606480311406	20063430	ISM14505
	For 25x60 mini-trunking	White RAL 9010	62/22/26		10	3606480311482	20063431	ISM14605
	T-piece							
	T-piece to be used in T-junctions between mini-trunking of the same size. To be snap-fitted onto the mini-trunking base. Material: PC/ABS.							
	For 12x20 mini-trunking	White RAL 9010 Alu metallic	12/40/58		10	3606480310799 3606480310898	20063462 20063463	ISM14106 ISM14156
	For 12x30 mini-trunking	White RAL 9010	12/50/68		10	3606480310973	20063464	ISM14206
	For 18x20 mini-trunking	White RAL 9010 Alu metallic	18/40/58		10	3606480311048 3606480311147	20063465 20063466	ISM14306 ISM14356
	For 18x35 mini-trunking	White RAL 9010 Alu metallic	18/55/73		10	3606480311222 3606480311321	20063467 20063468	ISM14406 ISM14456
	For 18x45 mini-trunking	White RAL 9010	18/65/83		10	3606480311413	20063469	ISM14506
	For 25x60 mini-trunking	White RAL 9010	24/80/98		10	3606480311499	20063470	ISM14606
	Branching piece							
	Branching piece to be used in T-junctions between mini-trunking of different sizes. Material: PC/ABS.							
	For 12x20–18x35 mini-trunking	White RAL 9010 Alu metallic	58/40/17		10	3606480311239 3606480311338	20063405 20063407	ISM14407 ISM14457
	For 12x20–18x45 mini-trunking	White RAL 9010	64/50/17		10	3606480311420	20063409	ISM14507
	For 18x35–25x60 mini-trunking	White RAL 9010	79/65/24		10	3606480311505	20063411	ISM14607
	Fly-over							
	Fly-over to be used in combination with T-piece or branching piece. Intended to secure separation between compartments when single-insulated cable is used. Material: ABS							
	For 18x35 mini-trunking	White	13/30/30		10	3606480311246	20063412	ISM14408
	For 25x60 mini-trunking	White	20/55/55		10	3606480311512	20063413	ISM14608
	Cutting shears							
	Cutting shears for PVC and PC/ABS material. To be used when cutting mini-trunking, front covers, cable shelves or other plastic length material, instead of using a saw. Material: Steel.							
	Cutting shears	Orange	230/22/80		1	3606480028472	20053952	ISM10908

Compatible accessories, Thorsman brand

Type	Colour	Dimensions A/B/C (mm)	 Qty per package	EAN code	Internal ID-No.	Ref. No.
Cable retainer						
Clamp intended to hold cables in place in the mini-trunking. Material: PA.						
TTM-KL26	Black	7.5/26/22	10	7315885401600	10002266	5401 600
TTM-KL36	Black	9.5/36/25	10	7315885401617	10002267	5401 610
Installation screw with cup washer						
Installation screw with cross-slotted head type PH2. Sharp point, fully threaded. High pitch for quick mounting. Provided with a cup washer for screw-head protection. To be used when installing single-insulated wire in the trunking. Material: Hardened steel, electroplated, and PP.						
TFT-IS5x32	—	Ø5/32	100	7332418018203	20057379	4020 210
Nail plug						
Nail plug with nail for through installation. Suitable for use in concrete, stone, lightweight concrete, expanded clay, hollow bricks and blocks, solid bricks and plasterboard. Material: PA.						
TPS-6/5x35	Clear	Ø 6/5/35	100	7315881150007	10000214	1150 002

P89133
P82869



P89119



P88051

