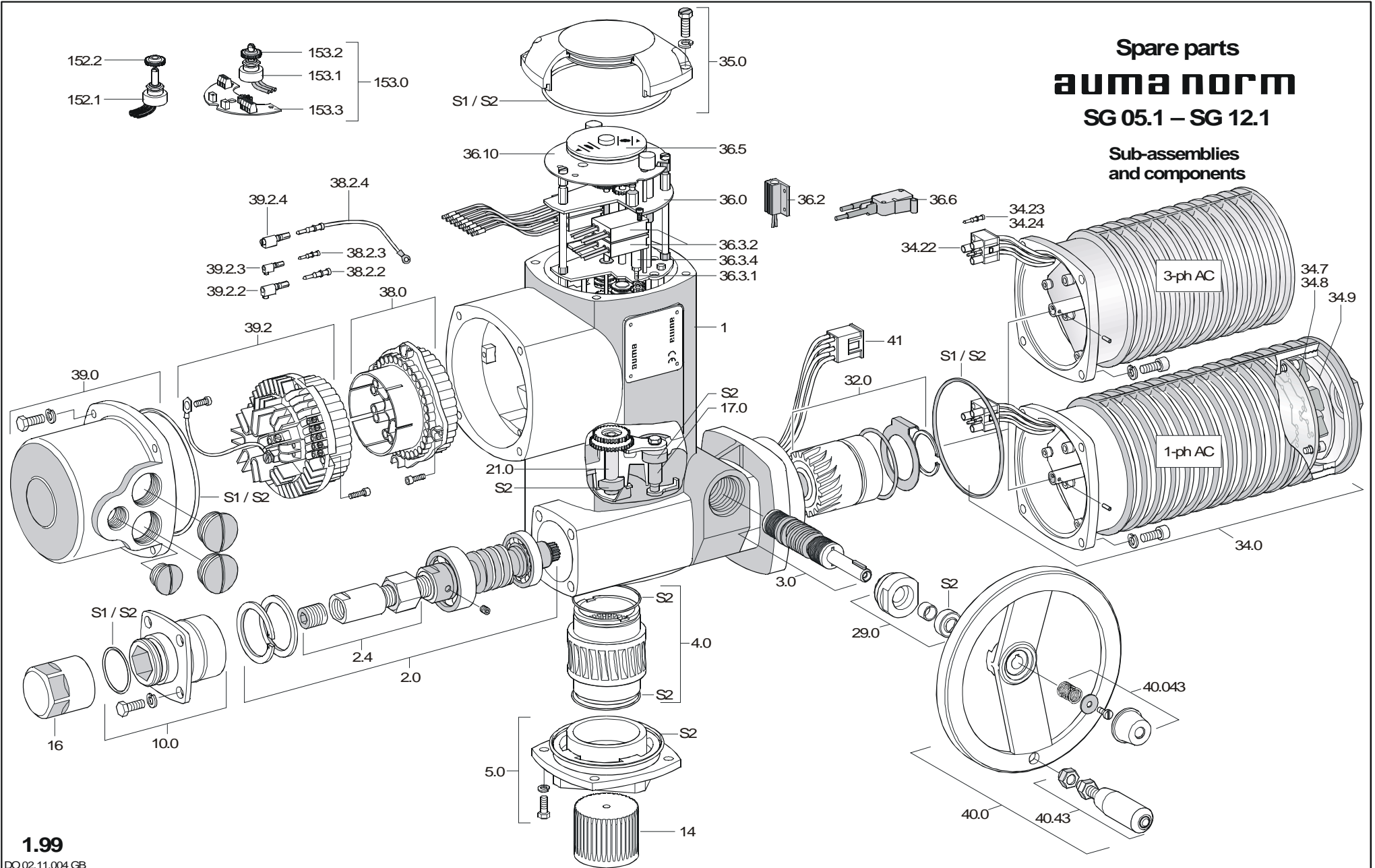


Spare parts
auma norm
 SG 05.1 – SG 12.1

Sub-assemblies
 and components



List of spare parts **auma norm**

SG 05.1 – SG 12.1

When placing your order for spare parts, please mention type of part-turn actuator and our commission number (refer to name plate)

No	Type	Designation	No	Type	Designation
1	E	Housing	36.6*	B	Blinker transmitter (without impulse disk and insulation plate)
2.0	B	Worm shaft assly.			
2.4	E	End stop nut (included in part no 2.0)	36.10	E	Cover plate
3.0	B	Manual drive worm assly.	38.0	B	Pin carrier (without pins)
4.0	B	Worm wheel assly.	38.2.2	B	Pin for motor
5.0	B	Mounting flange assly.	38.2.3	B	Pin for control
10.0	B	Limit stop housing assly.	38.2.4	B	Wire for protective earth
14	E	Coupling	39.0	B	Plug cover assly.
16	E	Cap	39.2	B	Socket carrier (complete with sockets)
17.0	B	Torque finger assly.	39.2.2	B	Socket for motor (included in part no 39.2)
21.0	B	Limit drive finger assly.	39.2.3	B	Socket for control (included in part no 39.2)
29.0	B	Manual drive bearing assly.	39.2.4	B	Socket for protective earth (included in part no 39.2)
32.0	B	Planetary gearing assly.			
34.0	B	Motor assly.	40	B	Handwheel assly.
34.22	B	Motor pin carrier (without pins)	40.043	B	Cap assly.
34.23	B	Pin for motor	40.43	B	Ball handle assly.
34.24	B	Pin for thermoswitch	41	B	Motor plug, socket assly.
34.7	B	Motor break	152.1*	B	Potentiometer (without slip clutch)
34.8	B	Motor electronic board	152.2*	B	Slip clutch for potentiometer
34.9	B	Cover board	153.0*	B	Electronic position transmitter RWG assly.
35.0	B	Cover for switch compartment assly.	153.1*	B	Potentiometer for RWG (without slip clutch)
36.0	B	Control unit assly. (without switches)	153.2*	B	Slip clutch for RWG
36.2	B	Space heater	153.3*	B	Electronic board RWG
36.3.1	B	Stud bolt for switches	S 1	S	Set of seals, small
36.3.2	B	Switch for limit / torque switching (including pins at wires)	S 2	S	Set of seals, large
36.3.4	E	Spacer			
36.5	B	Mechanical position indicator			

Type B = Sub-assembly Type E = Component
 * optional extra, not included in basic equipment

Art S = Set

assly. = assembly

auma®

Issue **1.99**

DO 02.11.004GB