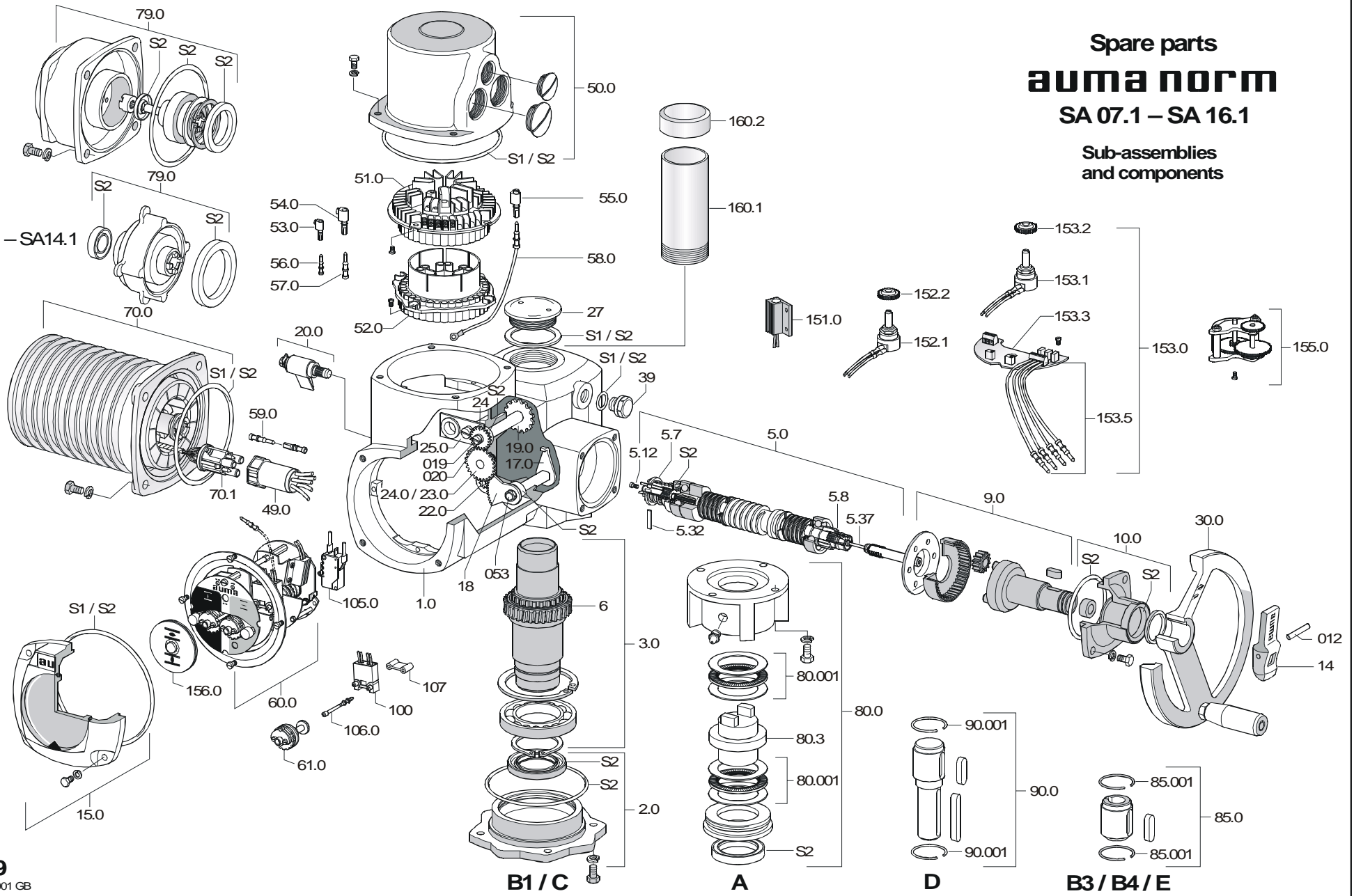


SA16.1

SA07.1 – SA14.1

# Spare parts auma norm SA 07.1 – SA 16.1

## Sub-assemblies and components



1.99

DO 01.11.001 GB

B1 / C

A

D

B3 / B4 / E

## List of spare parts

SA 07.1 – SA 16.1

When placing orders for spare parts, it is essential to mention type of actuator and our commission number (refer to name plate).

No.	Type	Designation	No.	Type	Designation
012	E	Notched pin	57.0	B	Pin for motor
019	E	Cheese head screw	58.0	B	Wire for protective earth
020	E	Clamping washer	59.0 <sup>1)</sup>	B	Pin for motor and thermoswitch in motor plug
053	E	Countersunk screw	60.0	B	Control unit assly. (but without torque head, without switches)
1.0	B	Housing assly.			
2.0	B	Flange, bottom assly.	61.0	B	Torque switching head
3.0	B	Hollow shaft assly. (without worm wheel)	70.0	B	Motor
5.0	B	Worm shaft assly.	70.1 <sup>1)</sup>	B	Motor pin carrier (without pins)
5.7	E	Motor coupling	79.0 <sup>2)</sup>	B	Planetary gearing for motor drive assly.
5.8	B	Manual drive coupling assly.	80.0	B	Output drive Form A assly. (without thread in stem nut)
5.12	E	Grub screw			
5.32	E	Coupling pin	80.001 <sup>3)</sup>	E	Thrust bearing set
5.37	B	Pull rod assly.	80.3 <sup>3)</sup>	E	Stem nut Form A (without thread)
6	E	Worm wheel	85.0 <sup>3)</sup>	B	Output drive B3
9.0	B	Planetary gear for manual drive assly.	85.001 <sup>3)</sup>	E	Snap ring
10.0	B	Retaining flange assly.	90.0 <sup>3)</sup>	B	Output drive D
14	E	Change-over lever	90.001 <sup>3)</sup>	E	Snap ring
15.0	B	Cover for switch compartment assly.	100	B	Switch for limit / torque switching (including pins at wires)
17.0	B	Torque lever assly.			
18	E	Gear segment	105.0	B	Blinker transmitter including pins at wires (without impulse disk and insulation plate)
19.0	B	Crown wheel assly.			
20.0	B	Swing lever assly.	106.0	B	Stud bolt for switches
22.0	B	Drive pinion II for torque switching assly.	107	E	Spacer
23.0	B	Drive wheel for limit switching assly.	151.0	B	Space heater
24	E	Drive wheel for limit switching	152.1 <sup>3)</sup>	B	Potentiometer (without slip clutch)
24.0	B	Intermediate wheel for limit switching assly.	152.2 <sup>3)</sup>	B	Slip clutch for potentiometer
25.0	E	Locking plate	153.0 <sup>3)</sup>	B	RWG assly.
27	E	Screw plug	153.1 <sup>3)</sup>	B	Potentiometer for RWG (without slip clutch)
30.0	B	Handwheel with ball handle assly.	153.2 <sup>3)</sup>	B	Slip clutch for RWG
39	E	Screw plug	153.3 <sup>3)</sup>	B	Electronic board RWG
49.0 <sup>1)</sup>	B	Motor plug, socket assly.	153.5 <sup>3)</sup>	B	Wires for RWG
50.0	B	Plug cover assly.	155.0 <sup>3)</sup>	B	Reduction gearing
51.0	B	Socket carrier assly. (with sockets)	156.0 <sup>3)</sup>	B	Mechanical position indicator
52.0	B	Pin carrier (without pins)	160.1 <sup>3)</sup>	E	Protection tube (without cap)
53.0	B	Socket for control	160.2 <sup>3)</sup>	E	Cap for stem protection tube
54.0	B	Socket for motor	S1	S	Seal-kit, small
55.0	B	Socket for protective earth	S2	S	Seal-kit, large
56.0	B	Pin for control			

Type B = Sub-assembly

Type E = Component

Type S = Set

assly. = assembly

1) SA 16.1 with output speeds 32 to 180 rpm without motor plug / socket; motor directly wired to pin carrier (52.0)

2) only required for some output speeds

3) optional extra, not included in basic equipment

**auma**®

Issue **1.99**

DO 01.11.001GB