

Gateway AKA 241, AKA 243 and AKA 244

Contents

System survey	3
Technical data	4
Connections	4
Data	5
Dimensions	6
Mounting	6
Functions of the four gateway types	7
Ordering	7
Connections	8
DANBUSS	8
LON	9
DI1, DI2, DO1 and DO2	9
Printer	9
Manual change-over of alarm routing	10
Alarm relay	10
Battery	10
PC, Modem or Server connection	11
Functional description	13
DANBUSS information	13
Communication control	14
Clock function	14
Automatic setup of AKC alarm function	14
Alarm handling	14
AKA Alarm Table	17
Printer function	18
Data collection in master gateway	19
Modem connection	20
MSS server connection	20
AKA override function	21
Operation	23
Principle	23
Operation via AKA 21	23
Operation via system software type AKM	24
Access limitation	24
Password function	24
Printer function	24
Settings	25
General	25
GATEWAY, Code. Access display and access code	26
Time setting. Clock function	27
Configuration. Access codes and display	28
System address & GWtype System address and gateway type	29
Communication setup. Setup of communication	30
Appendix	33
Routing	33
Repeat routines for alarm handling	37
Data collection takes up this much room	38
Terminology	39
Menu survey AKA 241	40
Menu survey AKA 243/244	41

Validity

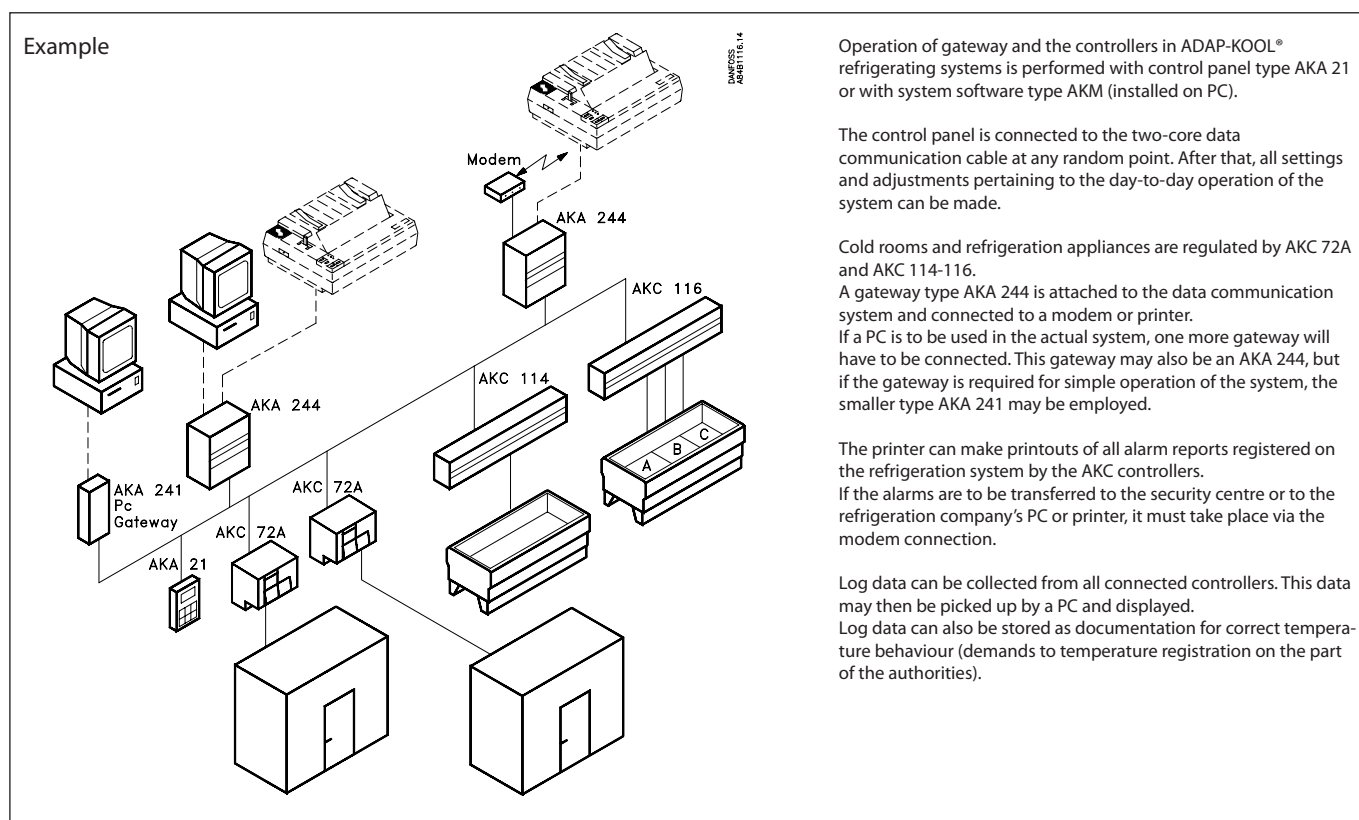
This manual is from November 2003, and applies to AKA 241 with software version 5.3x, AKA 243 with software version 5.5x and AKA 244 with software version 5.5x.

System survey

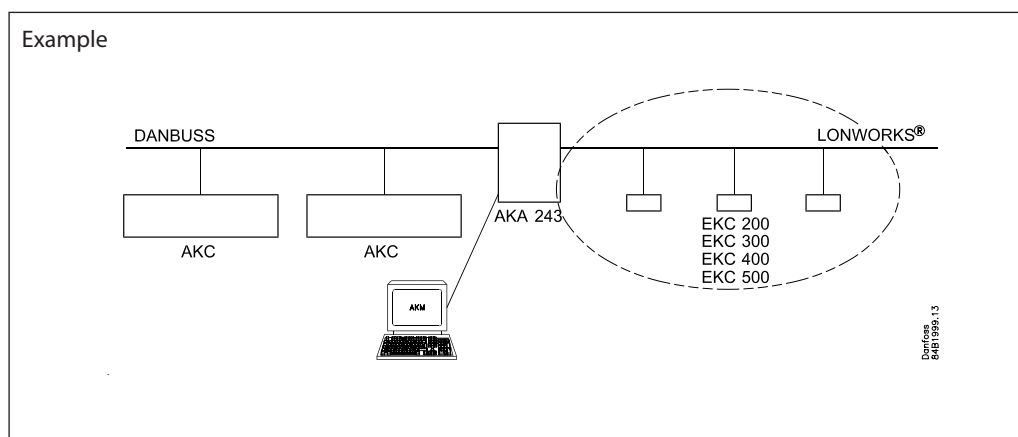
Principle

Gateway types AKA 241, AKA 243 and AKA 244 are system components to be used in conjunction with controllers in the ADAP-KOOL® series of controls for refrigerating systems. When the gateway is used it is possible to build complex control systems with alarm monitoring and data logging into decentralised refrigerating plant.

All controllers in the AKC series are linked up in a two-core data communication system that is registered under the name DANBUSS Data Communication System. A Gateway is the control unit used when the data communication system has to be connected to a PC, a printer, a TCP/IP server or a modem.

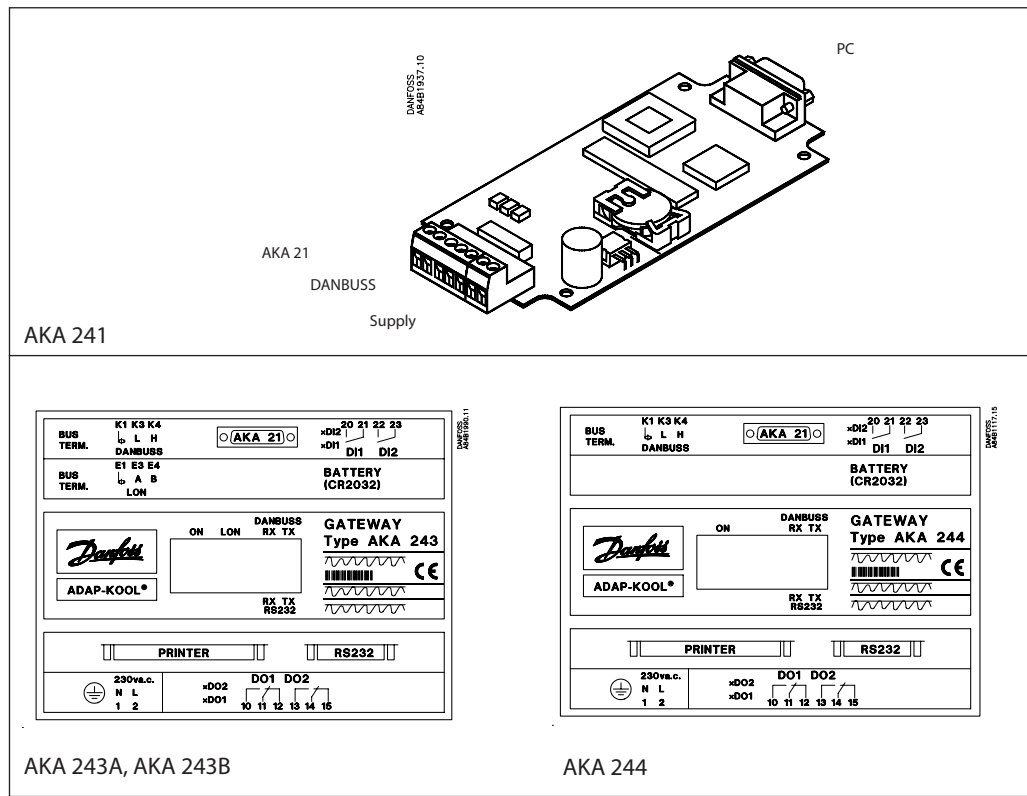


The same functions can be carried out with gateway type AKA 243, but here it is also possible to communicate with other controllers via the LonWorks output. The output will primarily be connected to controllers from the EKC 200, 300, 400, 500 or AK 2 series.



Technical data

Connections



AKA 21

When mounted, AKA 21 is connected for setting of address, etc.

DANBUSS

Here there is a DANBUSS connection from one of the other units in the system.

The input is galvanically separated from the remaining circuits.

On an AKA 243 the DANBUSS address must be set between 61 and 125.

On an AKA 244 the address may be from 1 to 125.

LON (AKA 243 only)

Here the data communication is connected to controllers with a LONWORKS® - FTT10 or RS 485 interface (eg EKC 200, 300, 400, 500 or AK 2 controllers). The connection is described in a separate document bearing literature number RC.8A.C.

On this input the connected EKC controllers must have addresses from 1 to 60 and AK 2 controller 1-10.

RS 232 / PC / TCP/IP

Used for connection of a PC, a modem or a TCP/IP server. Only one of these can be connected. Which one can be defined with a setting in the gateway.

Printer

A printer is connected here.

Only printers with parallel interface can be used.

The two relay outputs DO1 and DO2 and the two inputs DI1 and DI2 have in this manual been described with the most frequently used function. If you wish to use an input or an output differently, it must be given a new configuration. For this purpose system software type AKM must be used. Cf. the AKM manual.

Relay outputs (DO1, DO2)

AKA 243/244 is provided with two relay outputs (SPDT).

The DO1 output is used with modem connection or TCP/IP connection. Via the relay output, supply voltage is connected to the modem or TCP/IP connection. The DO2 output can be used for transmitting a joint alarm signal to external equipment. (DO2 is activated for two minutes when the alarm handler in the master gateway (address 125) receives an alarm message of status 1 from a controller).

When you use the alarm routing function it is possible to select D02 active or inactive within specified periods of time (cf. section "AKA Alarm Table").

On/off inputs (DI1, DI2)

AKA 243/244 is provided with two on/off inputs.

Input DI1 is used for the printer's paper function. DI1 is connected to a contact function which is operated when the paper has been placed in the printer. (Top of form setting).

The DI2 input is used for manual change-over between "default" and "optional" alarm destinations in connection with the extended alarm routing in AKA 243/244 (cf. section "AKA Alarm Table").

Light-emitting diodes

- For each communication gate (RS 232/DANBUSS) there are two light-emitting diodes (LED), one for sending and one for receiving. The diodes are lit, when there is communication to or from the gateway.

- The status of the ON/OFF inputs and relay-outputs are also indicated with light-emitting diodes.

- There is an LED for power ON

- AKA 243 also has a LED for LON-communication

Data

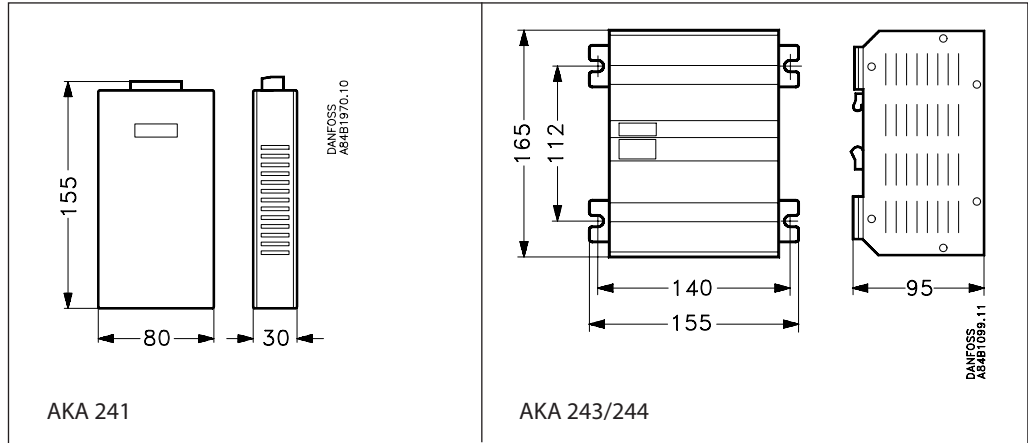
AKA 241

Supply voltage	9 - 12 V a.c.or d.c. -10/+15%		
Power consumption	2.5 VA		
Supply of AKA 21	Max. 1 hour		
Ambient temperature	During operation	Without enclosure	0 to+45°C
		With enclosure	0 to +35°C
	During transport		-40 to +70°C
Humidity	10 / 90% RH		
Enclosure	IP 00		
Immunity	EN 50082-1 Normative requirements		
Radiation	EN 50081-1 Normative requirements		
Protection of data in the event of a power failure	RAM Backup for approx 1 year		

AKA 243/244

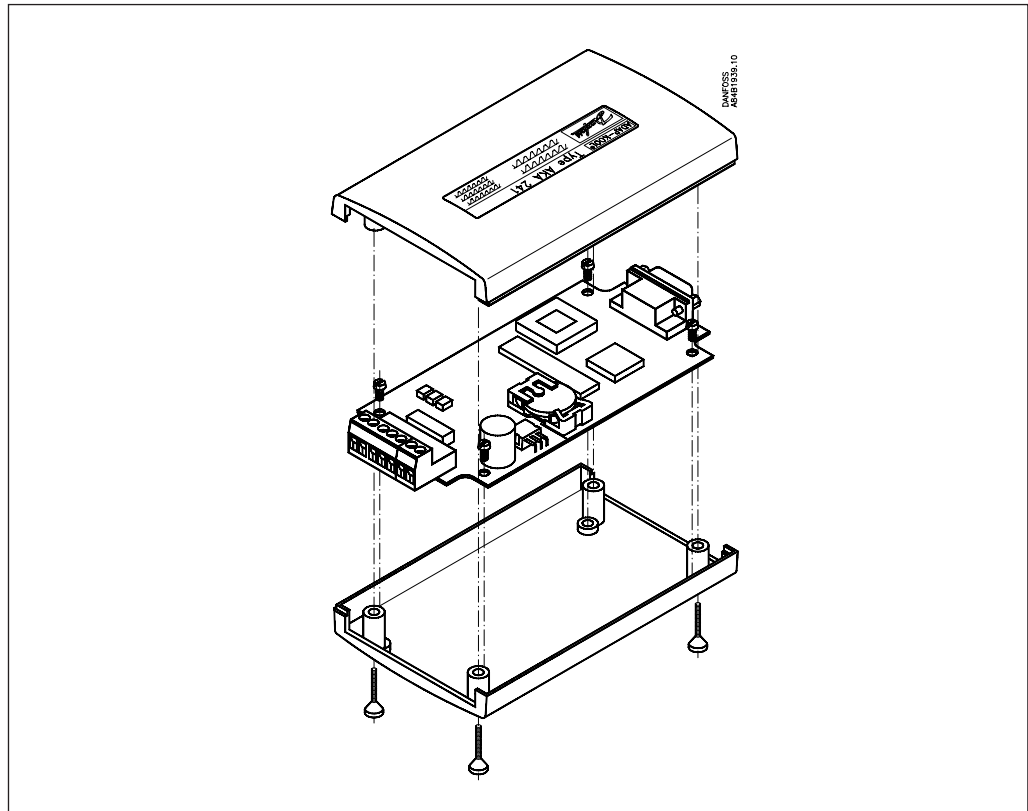
Supply voltage	230 V a.c. -15/+10% 50/60 Hz	
Power consumption	4 VA	
Relay outputs	Max.contact load	1 A / 230 V ohmic
Digital inputs	Off-cycle voltage	>12 V d.c.
	Short-circuit current	>15 mA, <50 mA
	Changeover level off:	< 2 V
	Changeover level ON:	> 6 V
Ambient temperature	During operation	0 to +55°C
	During transport	-40 to +70°C
Humidity	10 to 90% RH	
Enclosure	IP 00	
Immunity	EN 50082-1 Normative requirements	
Radiation	EN 50081-1 Normative requirements	
Protection of data in the event of a power failure	RAM Backup for approx.1 year	

Dimensions



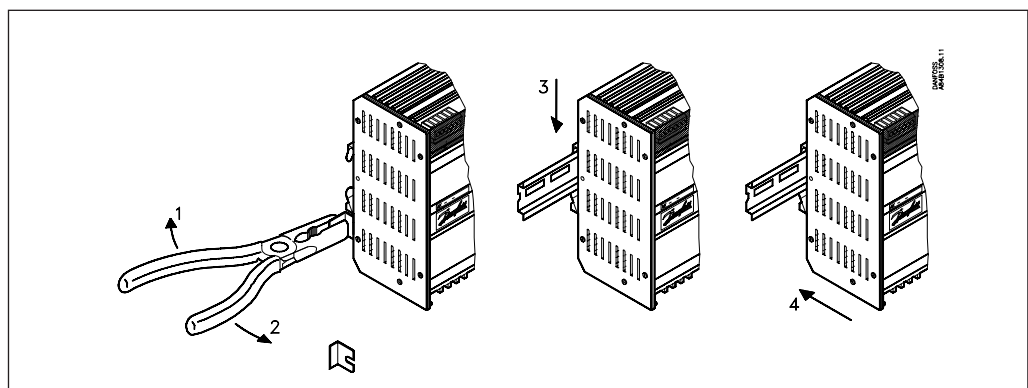
Mounting

AKA 241 is supplied as a PC board with an enclosure.



AKA 243/244

The housing can be screwed into place by means of the screw brackets, or it may be mounted on a DIN rail. When the housing is mounted on a DIN rail, the screw brackets must be broken off.



Functions of the four gateway types

The gateway is available in four versions where the ordinary version contains all functions whereas the simpler version only contains the few functions required for it to be the connecting link between a PC and a network of controllers from the ADAP-KOOL® range of refrigeration controls. The ordinary gateway can be set for connection with either a PC, a modem or an TCP/IP server.

The third and fourth version has furthermore been provided with LON data communication.

Connection/function	Type				More details on page
	PC gateway type AKA 241	Gateway type AKA 244	Gateway type AKA 243A	Gateway type AKA 243B	
Connection:					
PC	x	x	x	x	11
Modem		x	x	x	12
TCP/IP server		x	x	x	12
DANBUSS	x	x	x	x	8
LON FTT10			x		9
LON RS 485				x	9
Printer		x	x	x	9
Battery backup	x	x	x	x	10
AKA 21	max. 1 hour	x	x	x	8
Function:					
Communication control		x	x	x	14
Communication control without alarm transmission	x				14
Clock function	x	x	x	x	14
Automatic setup of AKC's alarm function		x	x	x	14
Alarm handling		x	x	x	14
Alarm recipient		x	x	x	15
Alarm list		x	x	x	16
Alarm status		x	x	x	16
AKA Alarm table		x	x	x	17
Printer function		x	x	x	18
Data collection		x	x	x	19
PC, Modem or TCP/IP connection		x	x	x	20
AKA override function		x	x	x	21
Operation via system software type AKM / AK Monitor	x	x	x	x	23
Access limitation	x	x	x	x	28
Password function	x	x	x	x	28

Ordering

Type	Specification	Number	Code no.
AKA 241	PC gateway	1 only	084B2262
AKA 243A	Gateway	1 only	084B2265
AKA 243B	Gateway	1 only	084B2266
AKA 244	Gateway	1 only	084B2260

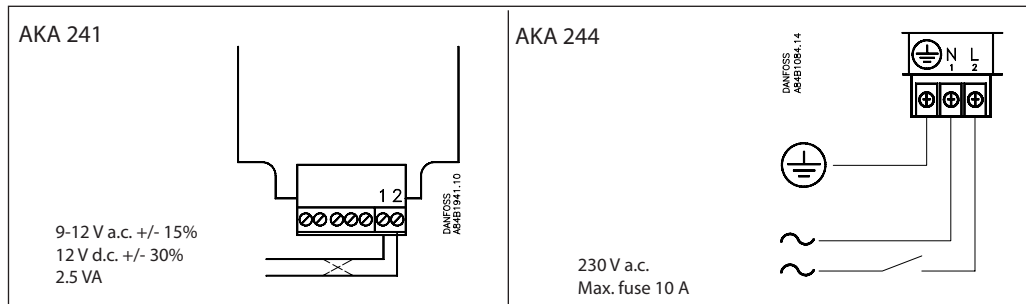
Cables

Connection between	Plug	Length	Code no.
PC and Gateway	9 pol - 9 pol	3 m	084B2094
	9 pol - 25 pol	3 m	084B2096
PC and Lantronix MSS	9 pol - 25 pol	3 m	084B2098
Lantronix MSS server and Gateway			

(see fig. page 11 and 12)

Connections

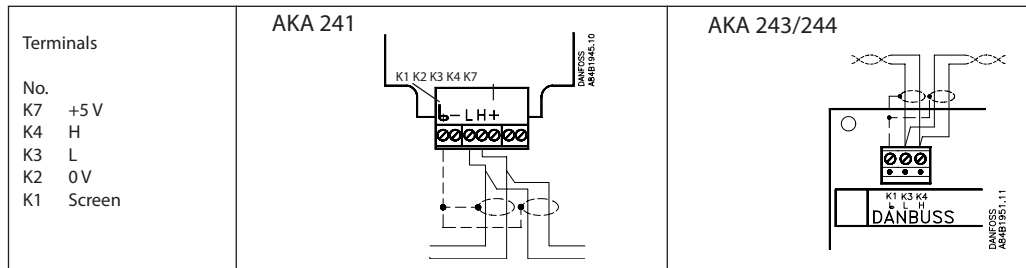
Supply voltage



AKA 243 and AKA 244 must always be provided with earth connection. This is to guarantee safety for persons and noise immunity.

DANBUSS

Data communication cable

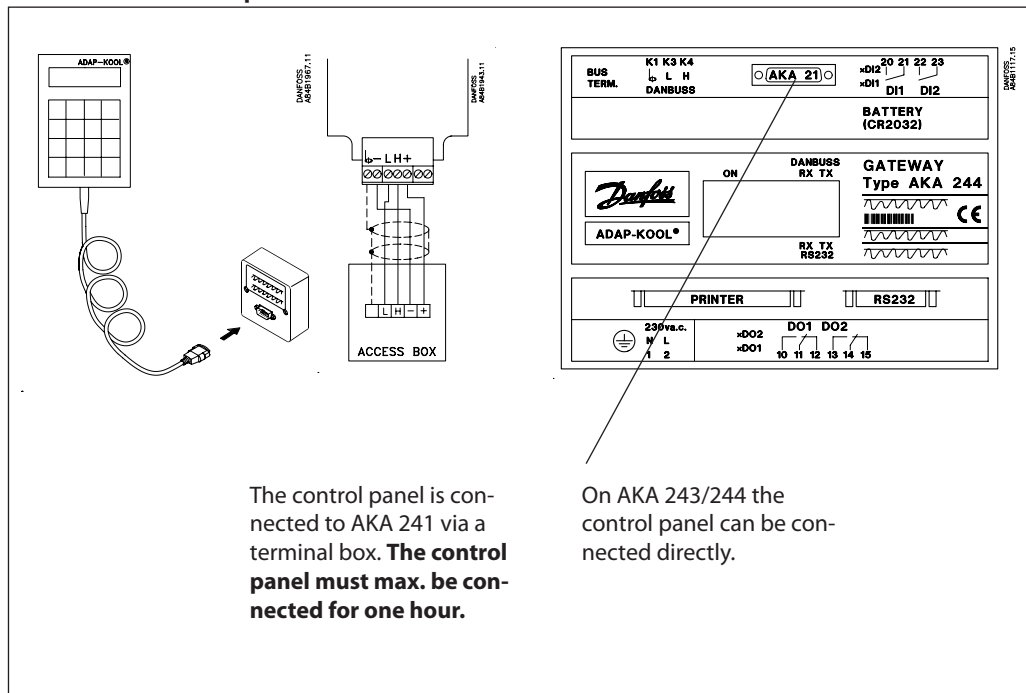


In general, the data communication is connected from controller to controller, so that L is connected to L, and H is connected to H. **The cable must be twisted in pairs and with screen.**

NOTE

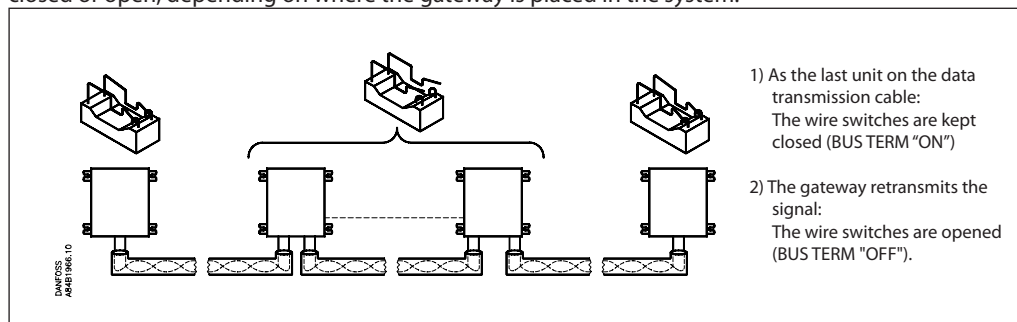
As regards installation of the data communication cable, reference is made to our special literature, No. RC.0X.A.

Connection of control panel



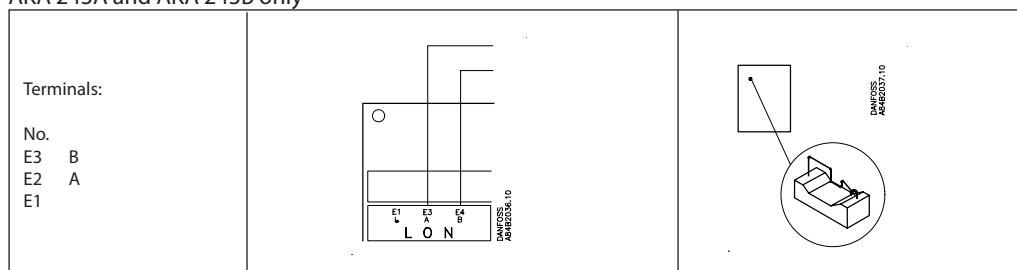
Termination

To obtain correct data transmission, the data transmission cable must be terminated. On the PC board next to the DANBUSS connection there are two wire switches which must either be closed or open, depending on where the gateway is placed in the system.



LON

AKA 243A and AKA 243B only



The connection is a LonWorks® interface. AKA 243A = FTT 10. AKA 243B = RS 485.

Cf. separate literature RC.8A.C.

Termination: the wire switch must be closed.

DI1, DI2, DO1 and DO2

The two relay outputs DO1 and DO2 and the two inputs DI1 and DI2 have in this manual been described with the most frequently used function. If you wish to use an input or an output differently, it must be given a new configuration. For this purpose system software type AKM must be used. Cf. the AKM manual.

Warning! DO1 and DO2 must not be connected to low voltage on one output and high voltage on the other. Both outputs must have the same voltage level.

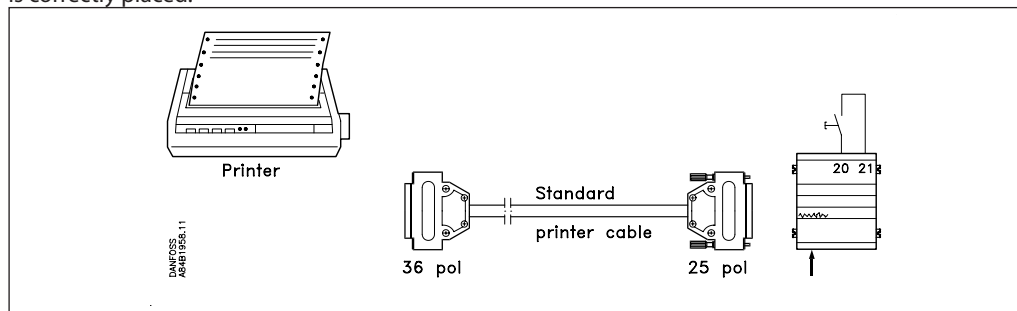
Printer

The printer port of AKA 243/244 has been designed as a parallel printer port. An ordinary parallel printer cable is used for the connection.

An EPSON compatible matrix printer can be connected.

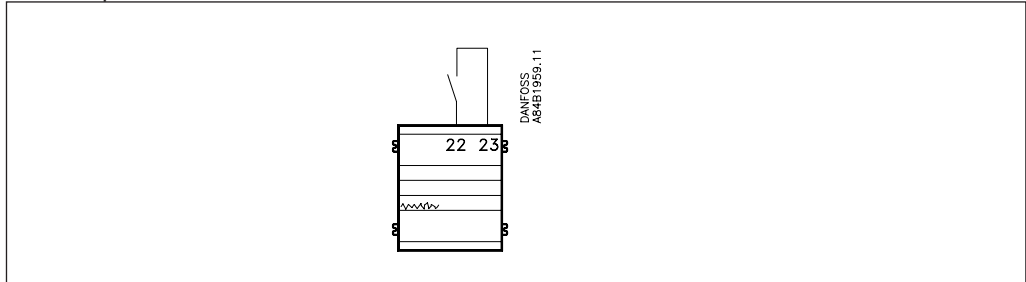
The on/off input DI1 is connected to a pushbutton switch (pulse pressure with spring return).

When you push the switch, a signal is sent to AKA 243/244 that the printer is ready and that the paper is correctly placed.



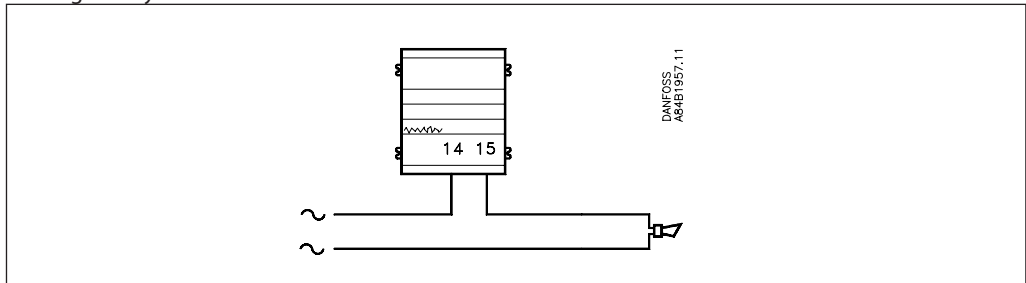
Manual change-over of alarm routing

ON AKA 243/244 you may change manually between two different alarm routes. The DI2 ON/OFF input can be connected to a contact function. When the DI2 input is cut in, the alarms will be sent via route 2 (optional destinations). (Cf. section "AKA Alarm Table").



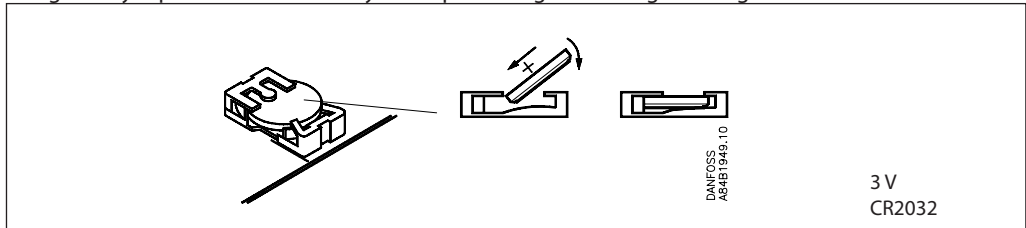
Alarm relay

On AKA 243/244 the DO2 output may be used for connecting an alarm function. There is connection between terminals 13 and 14 when the gateway is energised and there is no alarm. This connection is interrupted for two minutes when a status 1 alarm is received from a controller, or if the supply voltage to the gateway fails.



Battery

The gateway is provided with battery backup securing the settings and log collections.



When the battery needs to be replaced in a AKA 243 or 244, an alarm message is sent.

When a battery is replaced, make sure that the supply voltage is not removed from the gateway. If the battery and supply voltage are both removed at the same time, the clock setup, log setup, collected log data, master control setups and possibly EKC installation data will all be lost.

PC, Modem or server connection

On AKA 241 a PC can be connected to the RS232 plug.

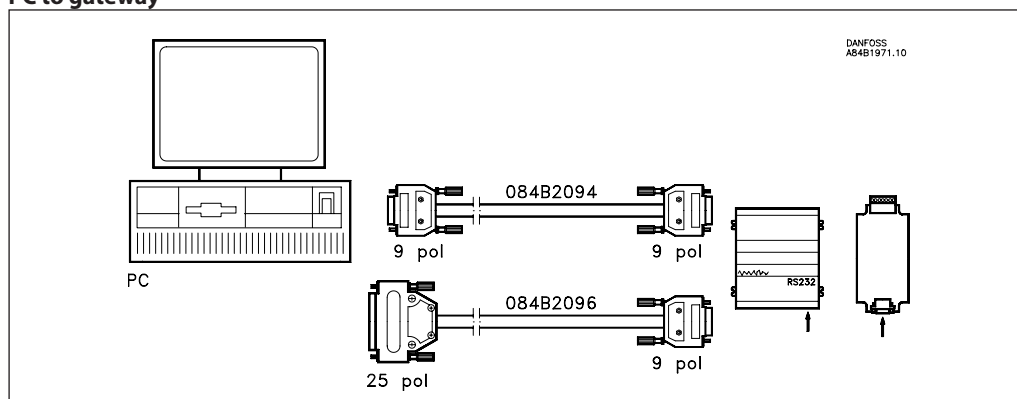
On AKA 243/244 a PC, a modem or a TCP/IP server can be connected to the RS232 plug. A setting in the gateway determines the application.

Warning!

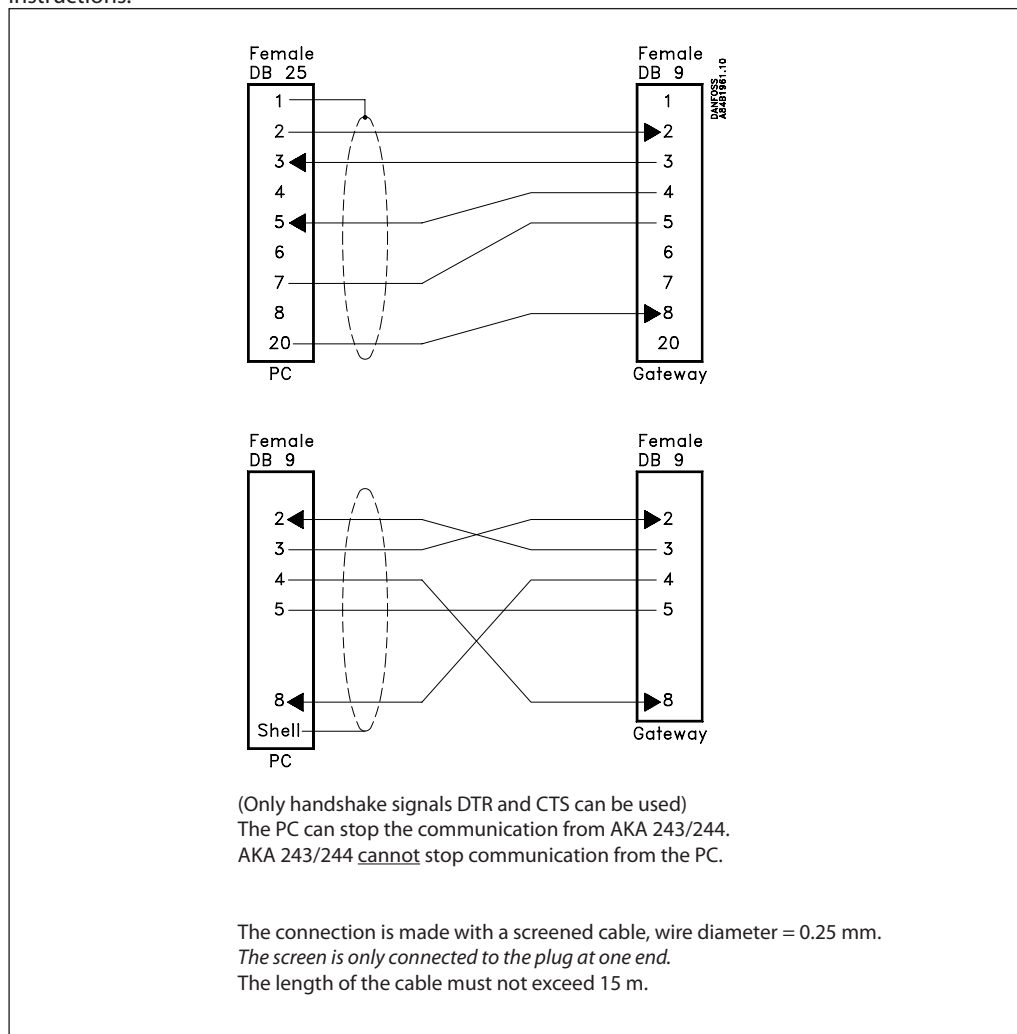
In order not to destroy the output on the PC, the modem or the server the following precautions must be taken:

- Establish the correct earth connection on AKA 243/244.
- Interrupt the supply voltage to the gateway and to the PC / the Modem / the server, when the cable is mounted and dismantled.

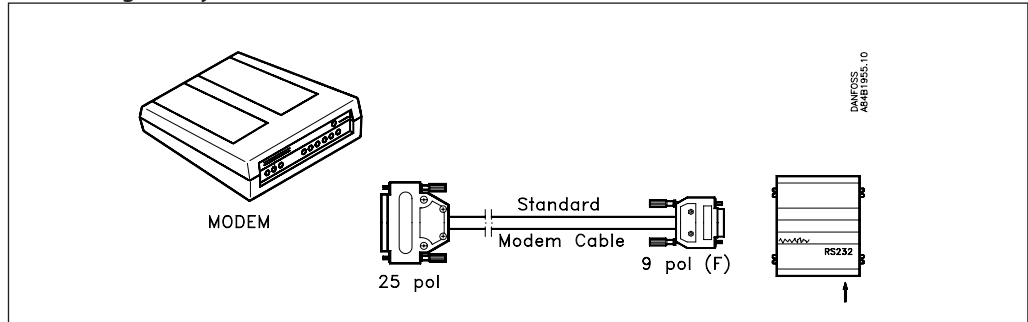
PC to gateway



Check whether the PC has a 9-pole or a 25-pole plug for this connection. A 3 m cable with plugs fitted can be supplied. See Ordering. If the cable has to be longer than 3 m, mount it based on the following instructions:

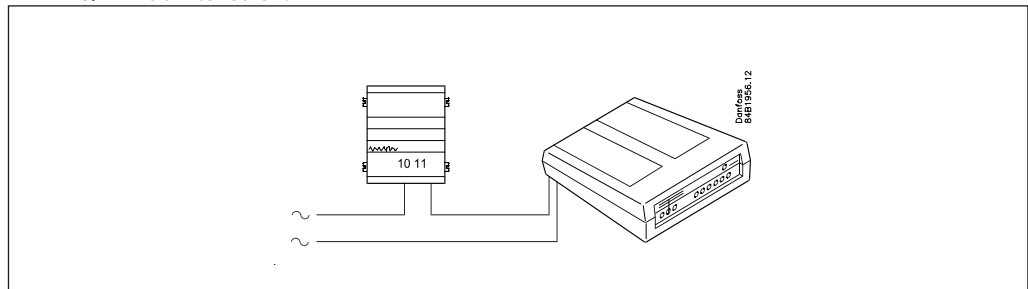


Modem to gateway

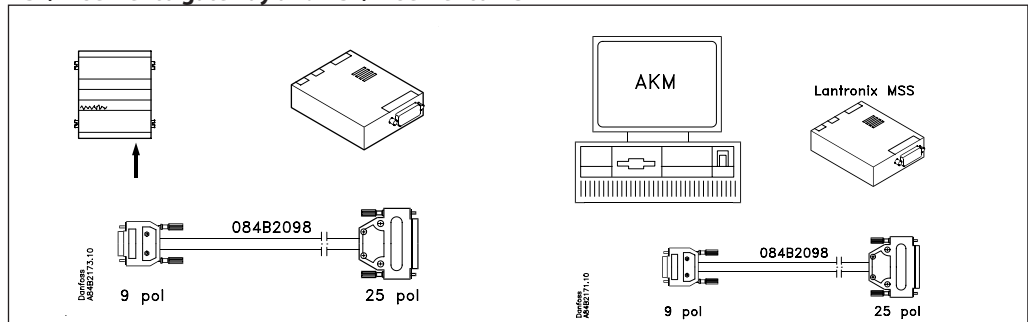


Use a standard modem cable.

Supply voltage to the modem must be connected, as illustrated (via DO1). This will permit AKA 243/244 to reset the modem. Also, the modem will be switched on and its start controlled, when AKA 243/244 is switched on.



TCP/IP server to gateway and TCP/IP server to PC



So far two servers have been tested:

- "Lantronix MSS 100" (shown above)

The server to be ordered from a Lantronix dealer.

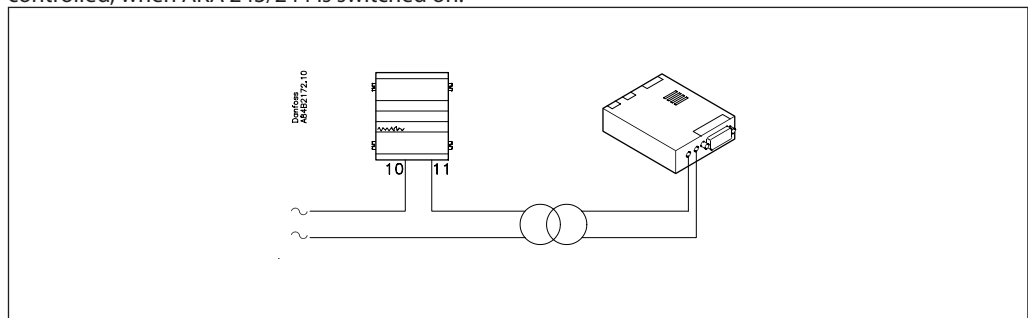
A 3 m cable with plugs mounted to be ordered from Danfoss. See Ordering.

- "Digi One SP" (Enclosure about half the size illustrated)

Server to be ordered from a Digi International dealer. Code number is 70001971.

Cable with plug is bypacked.

Supply voltage to the TCP/IP server must be connected, as illustrated (via DO1). This will permit AKA 243/244 to reset the TCP/IP server. Also, the TCP/IP server will be switched on and its start controlled, when AKA 243/244 is switched on.



Functional description

All functions are present in an AKA 243/244, but in an AKA 241 there is only a plant list and a clock function.

DANBUSS information

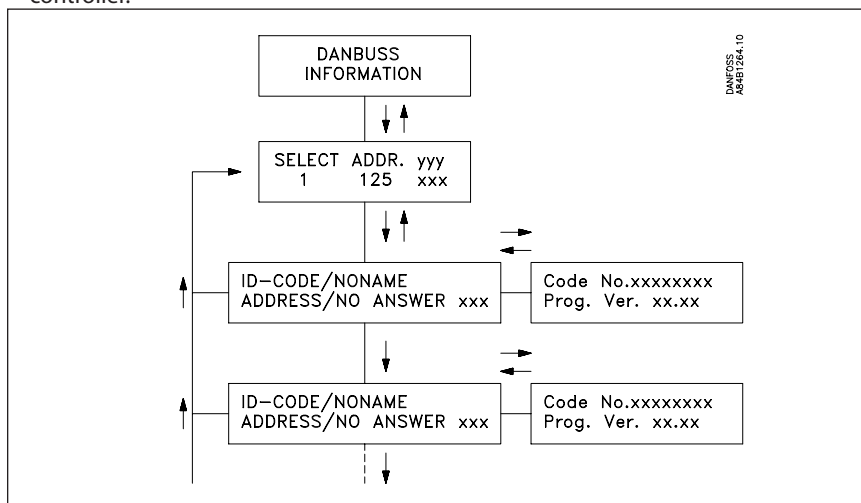
The gateway that has been assigned the master function in a network automatically establishes a table (plant list) containing the addresses of all connected units. The gateway then picks up data from all these addresses (also its own) for this table. The obtained data are the unit's code number and software version. For each address a user-defined text may now be added, logical name (ID code) or text describing the function of the controller at the address in question. This text can only be entered in the table by using the PC and system software type AKM (text may contain max. 16 characters). The master gateway may for example give a system name, and the other units a name for what they are used for.

The entered text can now be displayed via system software type AKM or on control panel type AKA 21:

AKM: The text is used in many menu surveys in the programme. The text bears the designation "ID code".

AKA 21: "DANBUSS information" can be read in the control panel's display, as follows:

- select master gateway (address = 125).
- push key "F2" on AKA 21. The text DANBUSS-information will then appear. Now select the individual addresses and read the text, code number and software version for each controller.



The text will also appear in an alarm message on the printer, e.g.:

```
Transmitter 5:125
System-address: 5:1  LONDON_SOUTH_03  MILK
Received: 2000-08-17 14:06:47      Status: 0
Communication OK (DANBUSS)
```

Communication control

This function will ensure that there is correct communication between the connected units on DANBUSS*. There will be constant scanning of all units on DANBUSS. If there are any changes on DANBUSS (a unit drops out due to power failure, or a new unit suddenly appears on the network), the function will discover it and issue a "**Communication error (DANBUSS)**" or "**Communication OK (DANBUSS)**".

New units are found within five minutes. Units that drop out will be found within two minutes (short-term drop-outs will not be discovered).

In the LON communication in an AKA 243 an alarm will also appear if one of the connected controllers drops out. (A new controller in the network will only be registered when the required function is activated in the new controller (service pin message).

Alarm delay: A time delay can be set by means of system software type AKM. An alarm will follow when two minutes plus the time delay have elapsed, at the latest.

The control function only applies to the gateway that has been assigned the master function (address 125).

Clock function

The master gateway has a built-in clock function which is used for the following:

- time stamping of alarms (not AKA 241)
- synchronising the clocks in all connected AKC controllers and slave gateways
- change-over between summer/winter settings

The function is only active in the gateway that has been assigned the master function (address 125) in a network. Only AKC controllers in the same network as the gateway will have their clocks synchronised. The clocks are synchronised after each start-up of the gateway, and after that at least once a day. If an AKC has been without power for more than two minutes, the clock will be synchronised when the AKC is again registered on DANBUSS.

Automatic setup of AKC alarm function

To set this function, use system software type AKM:

- a) If you select "**Auto setup**" = "**Enable**", the master gateway will set the following values in all connected AKC controllers on the network:
 - Fill in "System address" with the network's own number and the AKC controller's own number.
 - Fill in "Alarm report to" with the master gateway's own system address.
 All AKC alarms will now be transmitted to the master gateway.
- b) If you select "**Auto setup**" = "**No setup**" (the factory setting in AKA 243/244), the master gateway will not change the setting in the AKC controllers. Changes can only be made on each individual AKC controller.

If a new AKC unit is added to the network, the gateway will register it. Depending on whether "Auto setup" is set in pos. "Enable" or "No setup", the unit's two menus will either be set or remain unchanged.

In EKC controllers and AK 2 controllers a systems address is automatically set in the gateway for the controller in question. The address cannot be read in the controller.

- c) If "Auto setup" = "Disable" is selected, the master gateway will cancel the alarm transmission in all AKC and AK 2 controllers on the network. The procedure is, as follows: the gateway will itself set "System address" to 000:000 in AK 100 and 20 and AK 2 controllers, and "Alarm report to" to 000:000 in all AKC and AK 2 controllers. With these settings, the controllers cannot send alarms to the master gateway.

EKC controllers are not affected, but the gateway will stop the function asking for alarms in each controller.

Alarm handling

The AKA 243/244 defined as master gateway in a network will register all alarms that occur in this network. The alarms are entered on a list (alarm list) where they will be ready for further processing. The first thing that happens is that a acknowledge (transport receipt) will be transmitted to the controller that triggered the alarm (AKC controller/AK 2 controller). The controller will now know that the alarm has been received and registered (if it did not receive this accept, the controller would repeat the alarm message five minutes later). The second thing that happens is that the alarm is time-stamped and ID codes (net ID and bus ID) must be entered, if applicable. The third, that the alarm will be passed on to the defined alarm receiver(s).

Alarms from EKC controllers will also be registered by AKA 243, but if the data connection between the EKC controllers and the gateway is interrupted, only an active alarm, if any, will be present when the connection is reestablished. In other words, all alarms occurring during the period without data communication will not be registered.

Alarm receipt

Alarms can be received in four ways:

- 1) The alarm is not passed on(factory setting).

The alarm is entered on the alarm list, but is not processed. The DO2 alarm relay will however be activated for two minutes on receiving a "status 1" alarm from a controller. The alarm list can be displayed via control panel type AKA 21 or via system software type AKM.

The alarm list can contain max. 250 alarm messages (the oldest ones are deleted).

System software type AKM is used for setting this function. In the alarm receipt menu for the gateway in question, put "AKA Alarm Report To" in pos. "None".

- 2) Alarm is passed on to the printer connected to the printer output.

The alarm is entered on the alarm list, but is also transmitted to the printer.

DO2 is activated for two minutes when a "status 1" alarm is received from a controller.

With the factory setting, the receiver of the alarm is the master gateway's own system address.

(When system software type AKM is used, this system address will as regards function be identical with setting 000:000).

- 3) Alarm is passed on in the system.

The alarm is transmitted to another master gateway in another network, or to the address of system software type AKM.

DO2 is activated for two minutes when a "status 1" alarm is received from a controller.

Use system software type AKM for setting this function. In the alarm receipt menu for the gateway in question, put "AKA Alarm Report To" to "System address", and define the system address.

- 4) AKA alarm routing

The alarm is transmitted to the receivers defined in the alarm table. This function may for instance be used when the gateway is mounted in a network, where a PC with AKM has not been connected. Cf. the section "AKA Alarm Table". (System software type AKM is used for setting this function).

Ad 2), 3) and 4):

It is a requirement that a recipient (also copy receivers) is always able to receive the message. If the message cannot be delivered, the gateway will lock the relevant alarm line, so that the alarm can be transmitted at a later time. If the gateway receives further alarms, they will be entered as new alarms. If the alarm in question is then numbered "249", no new alarms can be entered on the alarm list. This will produce the system alarm "Alarm list overflow".

In case of "Alarm list overflow" alarm relay DO2 will be activated every fifth minute, until the alarms can again be transmitted to the alarm receiver.

Example of alarm list overflow:

In the master gateway, the alarm receiver "AKA send alarm to" has been set to "System address", but no printer has been connected, or it has been turned off:

In this situation it will be able to receive the first 249 alarms, and after that it will try every fifth minute to retransmit the oldest alarm to the printer. Alarm No. 250 will trigger the system alarm "Alarm list overflow", and from now on no more alarms can be received. If there should be more alarms from the controllers, these alarms will be retransmitted every fifth minute, and these retransmissions will gradually hamper the communication in DANBUSS so much that the data transmission is blocked. If more alarms should occur in an AKC controller than it can hold (20), these new alarms will not be registered.

If the printer is connected at this point, it will make a printout of all alarms, and the master gateway will again be able to receive alarms.

In this example, the selected setting "AKA send alarm to" should be "none", rather than "System address".

Appendix B contains a description of repeat routines for alarm transmissions when calls are not successful.

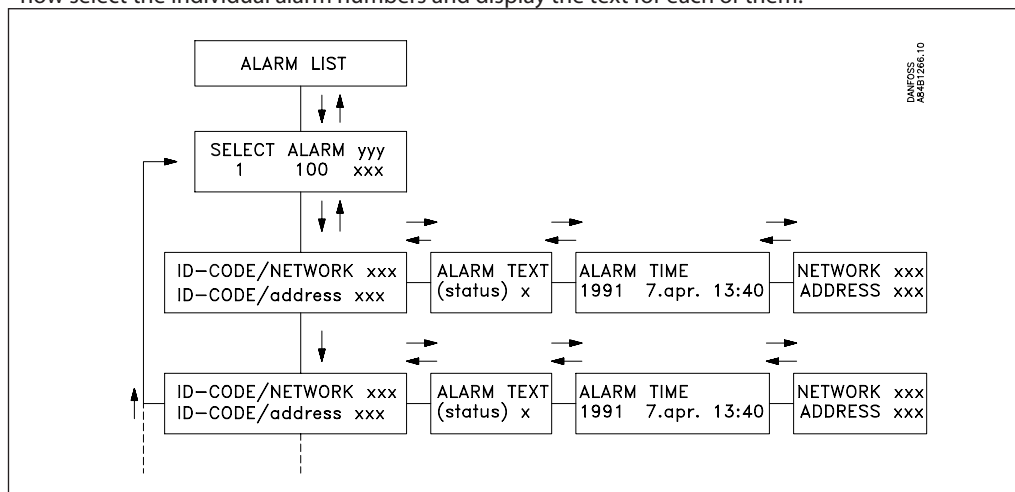
Alarm list in AKA 243/244

The alarm list can be displayed from system software type AKM or from control panel type AKA 21.

From AKM: via the "History" - "AKA Alarm List" menu.

From AKA 21, as follows:

- select the master gateway (address = 125)
- push key "F1" on AKA 21. The text ALARM LIST will then appear.
- now select the individual alarm numbers and display the text for each of them.



Alarm status

The individual messages on the alarm list will contain information about the status of the alarm.

Each alarm is defined with a degree of importance in the individual controllers. When an alarm is dealt with, it will be assigned an actual status.

A sensor error, for example, will generate two independent alarm messages. One when the error arises (status = 1), and another when the error is corrected (status = 0).

- Status:
- 0 Alarm cancelled (error corrected)
 - 1 Alarm is active. The alarm is sent out on DANBUSS and the master gateway's alarm relay is at the same time operated for two minutes (important alarm)
 - 2 Alarm is active. The alarm is only sent out on DANBUSS, as a not so important alarm (a message).
 - 3 As "1", but the alarm relay on the master gateway will not be activated.

AKA Alarm Table (alarm routing)

This function can retransmit received alarms to different alarm receivers via the DANBUSS data communication system.

The alarm routing can only be defined in the gateway that has been assigned the master function (address 125).

Alarm routing takes place on the basis of an alarm table where two different groups of receivers can be set.

1) Default destinations, route 1, which is the normal receiver group.

2) Optional destinations, route 2. This is the route you use if one of the following conditions is met:

- Contact function DI2 is cut in (manual change-over)

- The time lies within the defined time limits (time-based change-over)

The table can contain ten lines, and each line shows an interval (a start and stop time with indication of day of the week, hour and minutes).

A line in the table cannot overlap a change of week. Where Sunday changes to Monday, two lines have to be used in the time table.

Four receivers can be defined for each route, as follows:

- Primary:

Alarms are sent to this receiver, if a system address has been defined.

- Alternative:

Alarms may be sent to this receiver, if a system address has been defined. The alarm will however only be sent to this receiver, if the primary receiver has not been able to receive the alarm.

- Copy:

"Alarms" may be sent to this receiver, if a system address has been defined. An alarm will not be sent to this receiver until the primary or alternative receiver has received it, and acknowledged receipt of it.

- DO:

The DO2 relay output of the defined master gateway is activated for two minutes if the function is selected. The activation of DO2 is independent of the settings made for primary, alternative and copy receivers, irrespective of whether alarms are to be retransmitted at all. (DO2 is only activated for status 1 alarms).

The alarm table has to be set by means of system software type AKM. Please note that AKM is also capable of routing alarms. It is recommended that only one of the two options be used on the same system.

(When AKA 243/244 is delivered ex stock, the alarm table is not active).

Appendix B contains a description of repeat routines for alarm transmissions when calls are not successful.

Printer function

Alarm printout

The master gateway (adr. 125) contains a function that can receive alarm reports from controllers, reformat the messages and print them on a connected printer, type Epson compatible matrix printer. For this function to be used, the controllers must be set to transmit its alarms to a gateway with connected printer. Cf. section: "Automatic setup of AKC alarm functions", page 14.

The alarm printout function supports AKC controllers in series AK 20 and AK 100. As well as EKC controllers in the 200, 300,400, 500 and AK 2 series.

Example of alarm printout from an AKC controller:

```
Transmitter 5:125  
  
System-address: 5:1 LONDON_SOUTH_03 MILK  
Received: 2000-08-17 14:06:47 Status: 0  
Communication OK (DANBUSS)
```

Alarm printout from PC

A printer connected to AKA 243/244 can print an alarm report from a PC connected to DANBUSS. To use this function, a datagram of a special format has to be transmitted to the gateway. This means that it is in practice the application software in the PC and the internal software in the gateway that use this facility.

If the alarm is routed from the AKM alarm table directly to the gateway printer, custom texts, if any, will be included in the print. If the alarm is however routed to "AKA Alarm receiver" the custom texts will not appear, but the alarm relay - DO2 - will be activated for two minutes.

Printer alarm

The printer function can send an alarm message to a connected PC, if errors arise on the connected printer. Alarms will be sent to the master gateway on its own network. This will however not happen if the printer is connected to a "slave gateway".

If no printer has been connected to a gateway, this will also produce an alarm message at the gateway's first start-up.

Control panel type AKA 21 cannot control a printout function.

Certain texts in connection with printout of alarms etc. can be set from the AKM programme.

Data collection in the master gateway

Data collection can take place in the gateway, defined to be the system's **master**.

In connection with definition, start, stop and display of a data collection (logs), a switch will be required for the PC. During the remaining time the gateway will take care of its own collection of data. Data may thus be collected in a system which is not directly connected to a PC. The collected data may subsequently be transmitted to a PC from time to time, so that it can be displayed. The transmission can, for example, be accomplished via a telephone connection.

Two different log types can be established in the master gateway:

- 1) Food Safety logs (logs required by the authorities) and
- 2) AKA Service logs.

The difference between these log types is mainly the intervals at which data can be logged, and hence the duration of the period of time the memory is able to accommodate.

Limitations:

- Max. 170 logs can be set up in a master gateway (120 Food Safety logs and 50 AKA Service logs).
- Each log will represent one controller
- Each log can max. contain 13 parameters.
- The time interval for Food Safety logs is between 15 minutes and 24 hours.
- The time interval for AKA Service logs is between 1 minute and 4 hours.
- The master gateway can totally contain about 60,000 data collections.

Examples of log capacities for different sizes of systems are shown in Appendix C.

The log function will continuously collect and store data from the controllers connected to the network for which the gateway in question is the master.

Definition, start, stop and display of a data collection (logs) must be carried out with system software type AKM.

All logs in the master gateway are "rolling" (temporary) logs, in other words, the data will be overwritten, if they have not been collected during the set period of time (deadline).

The log setup will be deleted and all collected data lost, if the system address of a master gateway is changed.

If logs are deleted (one log or all of them), without the logged data having been stored, such data will be lost. There will be no alarm when such deletion takes place.

When a log is started, data collection will not necessarily take place immediately, as all readings of data will be carried out at set times after the log interval.

This means, for example, that for logs with 15-minute intervals the data will be read at times that are multiples of the 15 minute-period, i.e. when the minute hand points to 0, 15, 30 and 45. Similarly, a log with an interval of two hours will be read every other even hour, i.e. at 0am, 2am, 4am, 6am etc., up to and including 10pm. And a log with an interval of six hours, at 0, 6, 12, 18. These fixed logging intervals cannot be changed.

If a log has been stopped for a while, and is then restarted, some data will be missing for the period that was skipped.

The master gateway constantly controls all log setups via a simple check-sum calculation. If there is an error, the log in question will be deleted. An alarm will now be given with information about the log number.

Modem connection

AKA 243/244 can act as connecting link between DANBUSS and a modem.
(DANFOSS can provide information about other modem types that can be used with the gateway)

By connecting the supply to the modem via a relay switch (DO 1) on the gateway, the gateway will be able to reset the modem. At the same time the modem will be switched on, when the gateway is switched on. This ensures that the modem start will always be controlled.
Read the section "Connections".

It is possible for the gateway to use commands for controlling the connected modem. These commands are in the form of an initialisation string transmitted to the modem when it is switched on.

From the factory a modem gateway contains the following AT command string:
AT Z < CR > AT E1 SO = 2 &D2 V1

The command has the following meaning:

AT	Attention sequence
Z	Reset modem to power-up status
E1	Echo on
V1	Verbose result codes(e.g."CONNECT 1200" instead of "4").
&D2	HW mode for on hook via DTR
SO=2	Auto answer ON, answer after 2 rings

The initialisation command string can be changed by means of system software type AKM.
E0, V0, SO=0, S0=0, &D0, &D1 and &D3 must not be contained in the command string.
For further information about these commands, please refer to your modem manual.

A number of modem codes can be keyed in together with a telephone number.
These modem codes attach to a specific telephone number and are sent on to the modem together with the telephone number.

The following codes can be keyed and attached to a telephone number in the router table:

P:	Pulse dialling. Used in old telephone exchanges and private switching systems.
T:	Tone dialling. Used in new telephone exchanges.
W:	Wait for ringback tone (dial tone)
, :	2-second pause
%n:	Modifies the calling speed for this particular call
* :	Special character for private switching system
# :	Special character for private switching system

For further information about these commands and codes, see the modem manual.

Call-back function

The function can be used for service and transmission of log data via the telephone network.
The call-back function is selected from the AKM programme and is essential for all systems from which service or log data are collected.
The function sees to it that the gateway will return the call to the AKM programme, and hence pay for the transmission time.

Procedure

The AKM programme calls the master gateway and starts the call-back function. The master gateway then checks if the AKM programme's system address is found in the router table.
15 seconds later the master gateway establishes a telephone connection to the AKM programme. If the connection is not established at the first try, two more attempts will be made at 5-minute intervals. When the master gateway has established the telephone connection the AKM programme will take over.

An automatic log transmission is carried out in this way:

Based on the individual log definitions, the AKM programme knows how often it has to collect data from a system. The AKM programme starts the procedure, and when the connection has been established, the collection will commence.

If the master gateway does not manage to establish a telephone connection, the AKM programme will call the master gateway again, and collection will then be started immediately.

TCP/IP server connection

If data communication is to take place via a LAN network (TCP/IP) the gateway can be connected to a server.

Principle, connection and settings are described in the installation instructions for AKM. Literature No. RI.8B.P.--.

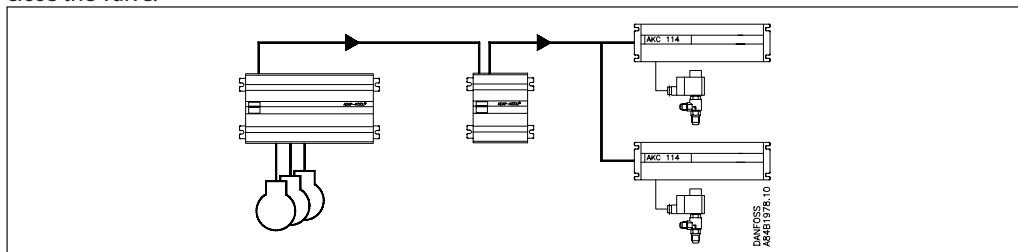
AKA override function

AKA 243/244 contains a function capable of reading values from a given function in a given controller on Data communication. The gateway will treat the information and then set the values in other selected controllers in the system. Each individual controller will subsequently carry out the given function. You can max. download data from 100 controllers. Otherwise the data communication will be overloaded. The functions are also described in the document "Overriding, RI8AL-". At the moment the following functions can be arranged:

AKC ON signal

This function is used for stopping the regulation (closing the valve) in all controllers regulating a refrigeration appliance when all belonging compressors are stopped.

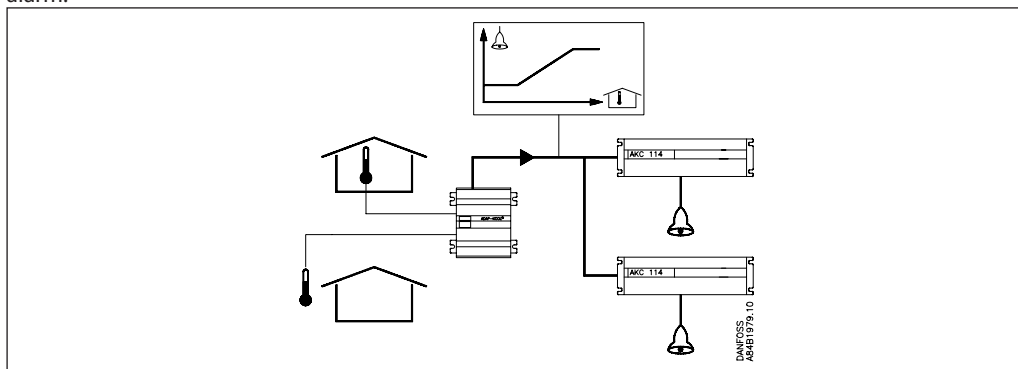
Example: When the compressor is stopped, the compressor control sends a signal via data communication. The master gateway subsequently sends this signal on to the defined controllers which will then close the valve.



Displacement of alarm limit

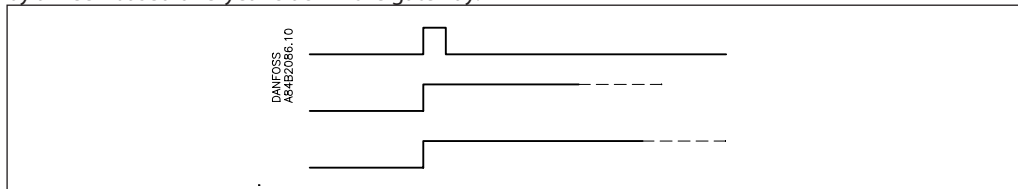
This function is used for raising the alarm limit during a period where the compressor control is unable to cut in more capacity.

Example: On an extremely hot summer day where the outdoor temperature exceeds a set value, the control will generate an offset signal that will depend on a signal from a room sensor. The offset signal will then be retransmitted to the defined controllers which will raise the limit of the high-temperature alarm.



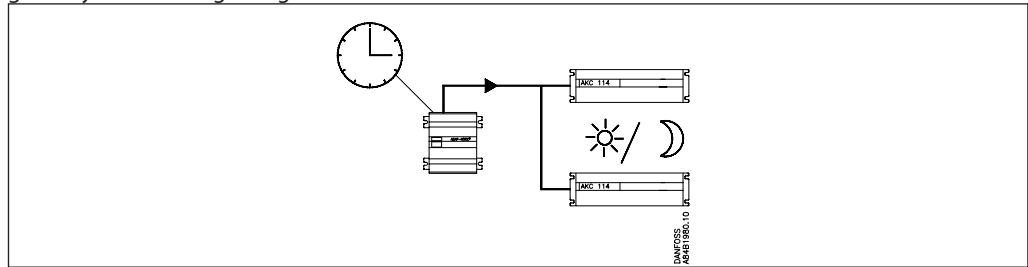
Defrost control

The function can transmit signal concerning defrost start to the different refrigeration points. All defined controllers will follow the signal. When defrost has started it is up to the individual controllers how it is to be stopped again. Some are based on time, others on temperature. The defrost is started by a week-based one-year clock in the gateway.



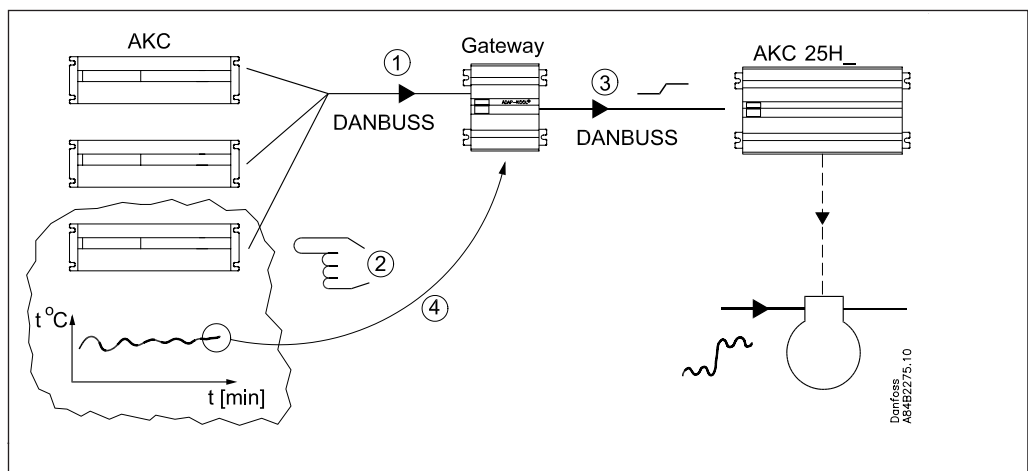
Day/night function

The function can send signals about night operation to the different refrigeration points. All the defined controllers will follow the signal. The signal is generated by a week-based one-year clock in the gateway or from a digital signal on a controller.



PO optimisation

The function adapts the refrigeration system's suction pressure so that it will not become so low that the most heavily loaded refrigeration appliance is unable to maintain the required temperature. The procedure is that the gateway constantly makes enquiries with the selected refrigeration appliances following which it transmits signals to the compressor control.



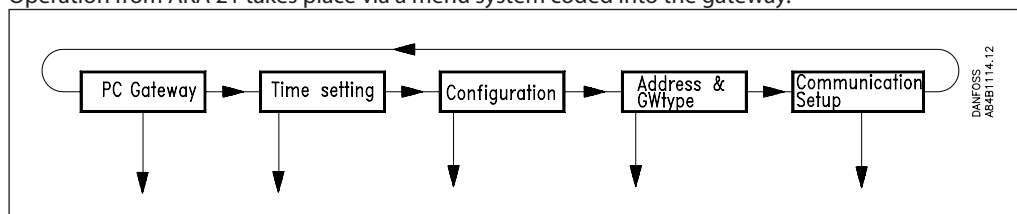
Operation

Principle

On AKA 243/244 there are no buttons. The unit is exclusively operated via control panel type AKA 21 or system software type AKM.

Operation via AKA 21

Operation from AKA 21 takes place via a menu system coded into the gateway.



The gateway menu structure has been “lowered” in relation to the menu structure of the AKC controllers. Change between menus takes place by means of the control module’s arrow keys.

Display

The display in AKA 21 has two lines with 16 characters each.

Function

The field describes the available menu.

Value/setting

The field shows the current value.

Min and Max

The field indicates the possible min. and max. values of the setting.

New

In this field a new value is selected. The field will be empty when there is a parameter that cannot be set.

F1

Used for displaying the “alarm list” found in the master gateway (address 125).*)

F2

Used for displaying the “NETWORK INFORMATION” (system table) found in the master gateway (address 125).*)

Clear

Return to the gateway’s access menu.

Arrow keys

Used for moving about in the gateway’s programme (menus).

Digit

Used for selecting the digit that has to be changed.

+/On, -/Off

Used for selecting a new value. It will either be a figure or a changeover between on/off functions.

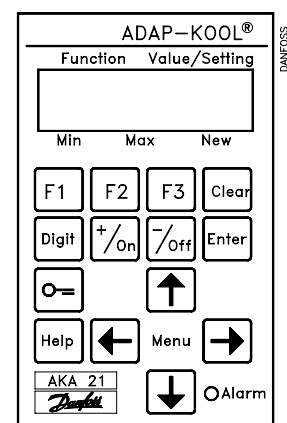
Enter

Used for confirming new settings. If a changed display is left without “Enter” having been pushed, the new value will not be stored.

F3, “key” and Help

Not used for gateway operation.

*) If national characters and ID codes are used for alarm texts from AKC controllers, these characters will not be presented correctly in the AKA 21 display.



Operation via system software type AKM

If a PC with system software type AKM is connected to the system, it will be possible to:

- perform all settings from the PC
- receive alarms on the PC
- connect a printer to the PC where printouts will be made of all alarms

Access limitation

AKA 241, 243 and 244 are protected against inadvertent settings and changes of parameters from AKA 21. This is done by means of access limitation distributed on three levels:

- | | |
|-------------|--------------------|
| 1) Normal | "Daily user level" |
| 2) Extended | "Engineers level" |
| 3) Service | "Service level" |

The level limits can be changed in the unit (see section "Settings").

Password function

When the gateway is used in conjunction with system software type AKM, a password function may be used. This function will block settings when the system is operated via the telephone network and the password is not known.

For the sake of users of AKM it is however permitted to read and set a few functions. However, access will not be given to important functions like router lines, upload functions and ID-codes.

The password function must be initiated with system software type AKM.

Printer function

On AKA 243/244 there is one way only of operating the printer function.

By activating input DI 1, the gateways internal line counter is zero-set. In this way it is possible to keep a check on the printer paper perforation.

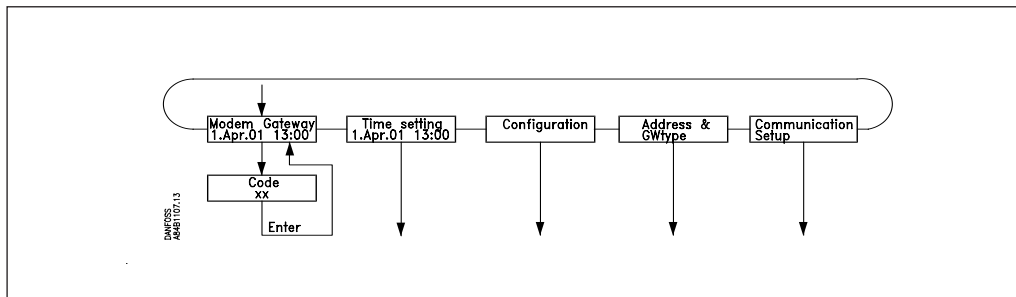
DI 1 is activated when the printer is switched on, and the printing head is placed in start position on the first writing line (top of form).

Re setup, installation, insertion of paper in the printer etc., reference is made to the printer's own manual.

Settings

General

In the gateway you have to set up the parameters that are to govern the individual functions. The parameter setup is grouped according to the functions governed by the parameters.



GATEWAY, Code

Access display and keying of number giving access to the gateway setup.

Time setting

Setting of gateway timer; including changeover between summer and winter time.

Configuration

Reading of programme version.

Setting of access codes.

Settings concerning "AKA 21 log off"

Reading of whether password is used, and deletion of the use of it, if applicable.

System address: (and GW type at AKA 243/244)

Setting of the gateways actual DANBUSS system address.

An AKA 243/244 must be defined for either PC gateway, modem gateway or TCP/IP gateway.

Communication setup

Router: Setup of router tables.

RS 232: Communication speed at port.

The individual setups are explained on the following pages.

At the end of the manual there is a complete menu survey.

When initial startups are made on systems with two or more gateway's on the same network, special precautions have to be taken.

If a network with several identical addresses is started, the DANBUSS system will not function.

All gateways are factory-set with address 125. (0:125).

The initial start-up must be carried out in one of the following two ways:

- 1) Set all addresses before the gateway is placed in the network. (AKA 21 is used)
- 2) Connect only supply voltage to one gateway at a time, assigning the master status to the last unit to be connected (master address = 125). (AKA 21 is used).

Note 2

When **changes** are made in the unit setup, they are stored in the unit's memory. **Activate the "Boot Gateway" display (AKA 21 must not be operated again, until the gateway has finished its initialisation and scanning functions in the connected DANBUSS network, which takes approx. 30 seconds). After that, the new settings will be active.**

Note 3

If the gateway type has to be changed (PC/Modem/TCP/IP) it can only be done with the battery mounted.

GATEWAY, Code. Access display and access code

Access to the gateway takes place with control panel AKA 21 in the same way as for other controllers on DANBUSS.

Shown in the AKA 21 display are the units that are connected to DANBUSS. The AKA 243/244 gateway is symbolised with a "G".

<	125	>	125
AAE	A	A	<u>G</u>

AKA 244 with assigned address = 125 is depicted here

A gateway that has been assigned the master function will have address No. 125. When you push "arrow right", the display will show addresses higher than 16.

Select gateway by using the "+/ON" or the "-/OFF" key, and then pushing "Enter".

The following access display will now appear in connection with a PC gateway:

PC GATEWAY

Push "arrow down" to proceed to the menu where the access code has to be keyed.

Code
XX

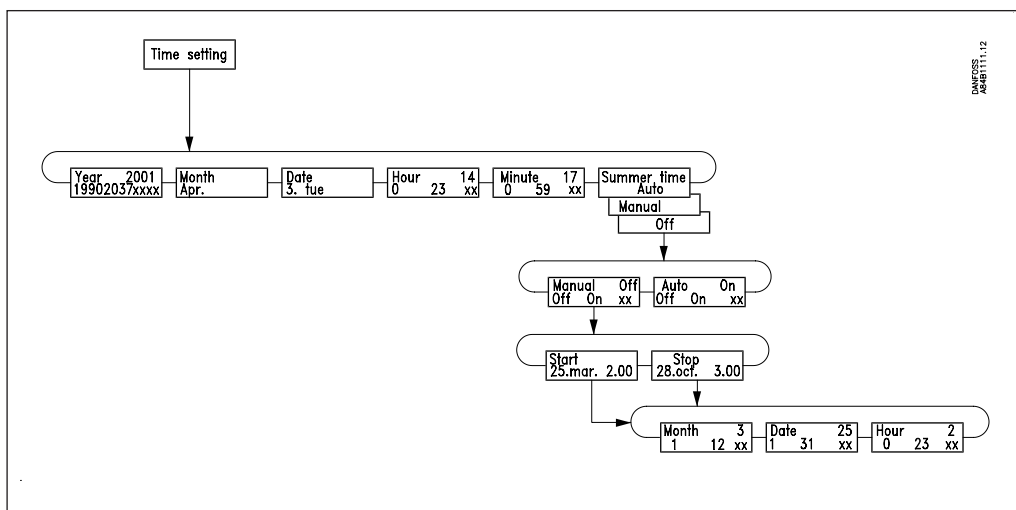
Factory-set access codes:

Extended access code = 40. This will give access up to and including the menu section "TIME SETTINGS".

Service access code = 99. This will give you access to the whole unit.

After keying the code, push "Enter", and the access display will appear again. Now push "arrow right" to continue the setup.

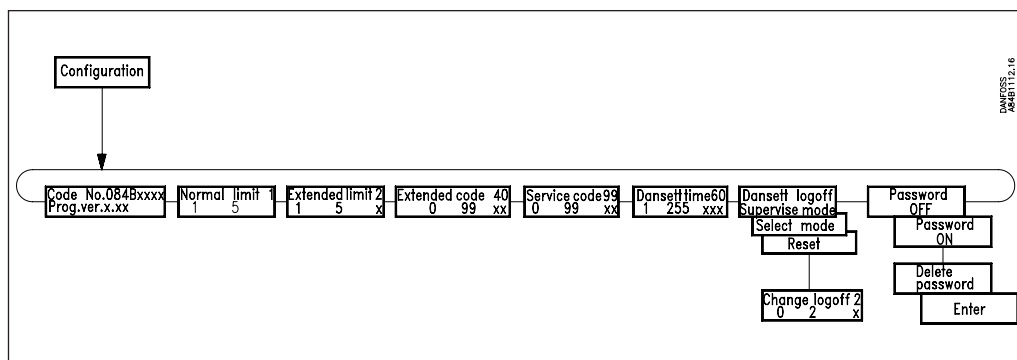
Time setting.
Clock function



- "Time setting" Access to setting of timer and changeover between summer and winter time. The timer in the gateway is an annual timer that can change between summer and winter time. The timer will itself determine the day of the week based on year and date, and it will not accept incorrect settings. If an attempt to set the month, for example, is not crowned with success, it may be because the date has a wrong value. The timer's second-counter is zero-set when the minutes are set. The timer is provided with battery back-up and will keep on working if there is a power failure.
- "Year" Setting of year.
- "Month" Setting of month
- "Date" Setting of date.
- "Hour" Setting of time.
- "Minute" Setting of minute.
- "Summer time" Display of changeover between summer and winter time, and access to settings. Select either "off", "auto" or "manual":
 - "Off" Changeover between summer and winter time interrupted.
 - "Auto" Changeover is performed automatically based on the rules applying to most of Europe. (Last Sunday in March and October)
 - "Manual" Here you specify the date and hour of the two changeovers. The changeover can only be made with full hours. The settings will remain valid, until a new setting is made. If "Auto" has been selected, settings cannot be made.
- "Start" Access display for setting the start of the summer time.
- "Stop" Access display for setting the stop of the summer time.
- "Month", "Date", "Hour": Setting of time

Configuration.

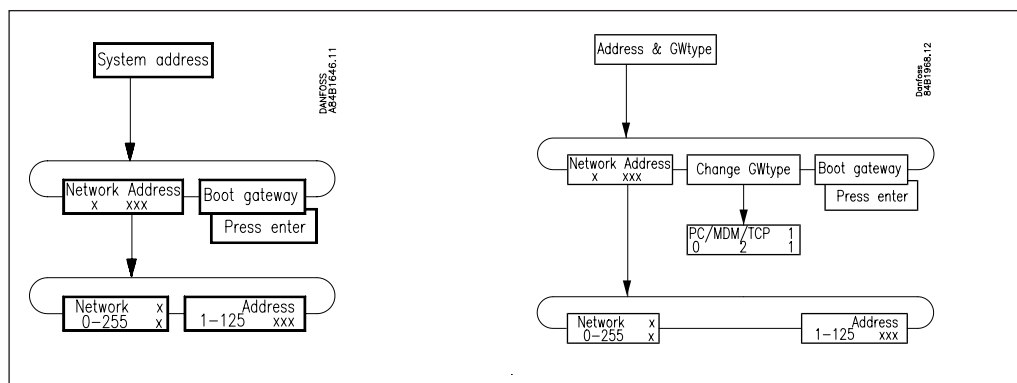
Access codes and display



"Configuration"	Access to reading of programme version and setting of access codes/ parameters concerning DANSETT logoff.
"Code no."	Reading of AKA part No.
"Prog. ver."	Reading of programme version
"Normal limit"	Setting of access level without using an access code. (A complete menu survey is shown at the back of the manual). Choose between the following settings: 1: No access to settings 2: Access up to and including "Time setting". 3: Access up to and including "Configuration". 4. Access up to and including "System address". 5: Access to all menus
"Extended limit"	Setting of access level with the use of the "Extended code". Choose between the following settings: 1: No access to settings 2: Access up to and including "Time setting". 3: Access up to and including "Configuration". 4. Access up to and including "System address". 5: Access to all menus
"Extended code"	Setting of code to be keyed at logon, to obtain extended access.
"Service code"	Setting of code to be keyed at logon, to obtain service access (access to all menu items).
"Dansett time"	Setting of time of automatic logoff. (If the gateway has not been operated during this period, there will be logoff). The time will be indicated in seconds.
"Dansett logoff"	Show the display possibility on AKA 21 of automatic logoff: "Supervise mode", "Select mode" or "Reset". See next point.
"Change logoff"	Selection of displays for "Dansett logoff". Setting = 2 should be used, if AKA 21 receives its power from an AKC controller or from an external power pack: 0: "Supervise mode": This setting can be used with advantage in small systems. When AKA 21 is not operated for, say, three minutes, the display will by turns show access pictures on all connected controllers. 1: "Select mode": AKA 21 shows the menu where DANBUSS unit is selected. 2: "Reset": AKA 21 shows "Dansett" ready, press any key". When a key is pushed, AKA 21 will show the menu where a DANBUSS unit is selected.
Password	Settings can be protected with a password. The password can only be set via the AKM programme version 4 (but may be deleted via AKA 21 without it being known). The password will protect against: - reading of router lines and system configurations - setting of router lines and alarm setups

System address & GWtype

System address and gateway type



In AKA 241 only the system address can be set.

"Network"

Setting of the network number at which the gateway is installed.

Valid network numbers: 1 to 255.

"Address"

Setting of gateways address.

This setting corresponds to the setting of addresses on the AKC controllers' DIP switches.

To allow communication there must be one, and only one, master on each network. This is arranged by always giving the master address No. 125.

If there is only one gateway on the network, it is given address 125. Other gateways on the same network are assigned other addresses. This also applies to such units as AKC controllers.

(The factory-set address in a gateway 125. The address no. 124 is not polled on DANBUSS. The valid address for a AKA 244 will there for be 1 to 123 or 125 and for a AKA 243 it will be 61 to 123 or 125).

"Change GW-Type"

An AKA 243/244 can be defined to either operate as a PC gateway, a modem gateway or a TCP/IP server. The definition is made with the following setting:

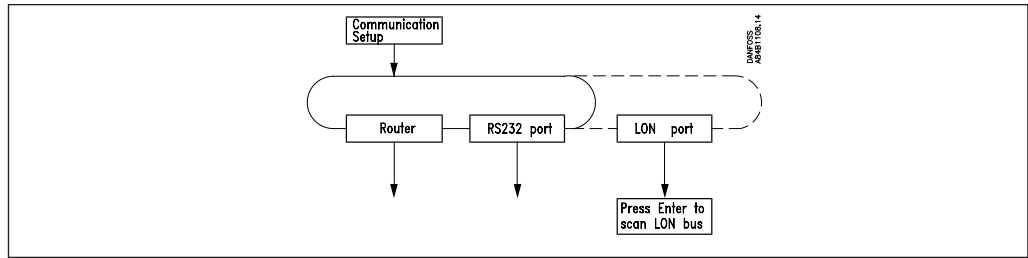
0: PC gateway

1: Modem gateway

2: TCP

The actual setting may always be seen in the gateway's access display.

Communication setup. Setup of communication



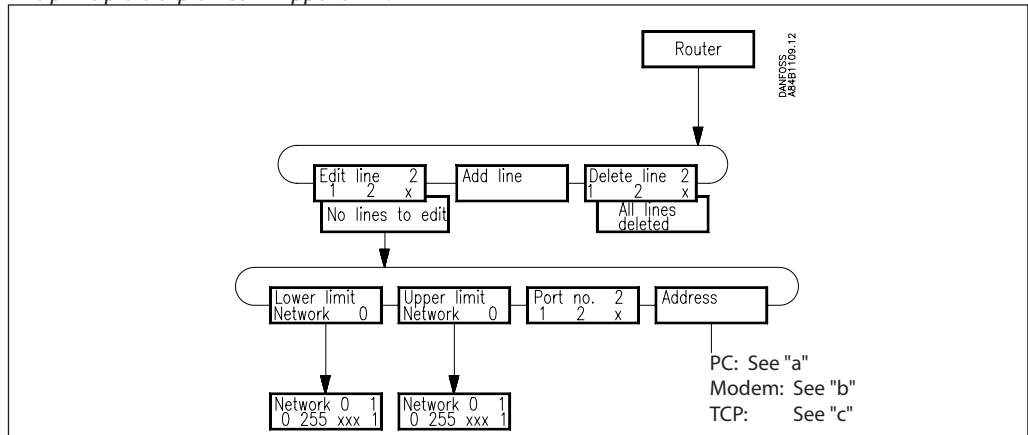
“Communication setup”

The menu gives access to the following two submenus. (3 if it is a AKA 243)

1) Router (Routing)

Before the router function is set, it is necessary to know the principle of how the messages are circulating between the different units.

This principle is explained in Appendix A.



“Edit line”

Here you select a line that has been established in the router table. Only previously established lines can be selected and subsequently changed. If no router lines have been established, the display will show “No lines to edit”.

“Add line”

Will establish a new router line immediately after the last existing line in the router table.

After the establishment of a line, change to “Edit line” to continue the setup.

The router table can max. contain 10 lines if it is set for PC or TCP/IP gateway, and 250 lines if it is set for Modem gateway.

“Delete line”

Deletes a selected line in the router table.

“Lower limit”

Display of the “Lower Limit” field for a line selected in the router table.

The value indicates the network to which a message is to be transmitted. Setting takes place in the “Network” menu.

“Upper limit”

Display of the “Upper Limit” for a selected line in the router table.

The value indicates the final network to which a datagram has to be transmitted. Setting takes place in the “Network” menu.

“Port no.”

Setting of the “Port No.” field for a selected line in the router table.

The datagram is routed to a port, according to the settings shown below.

1: Datagrams to be sent via DANBUSS.

2: Datagrams for either PC, modem or TCP/IP server connection.

“Address”

The menu contents are determined by the setting in the gateway type and of the value selected under “Port No.”:

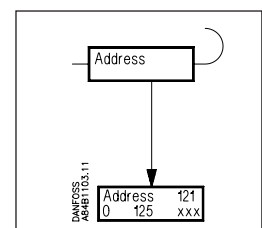
a) PC:

Display and setting of the “Address” field for a selected line in the router table.

Selection of port number =

1: Address number of the unit the datagram is to be sent to in the network is indicated here

2: Address is not set.



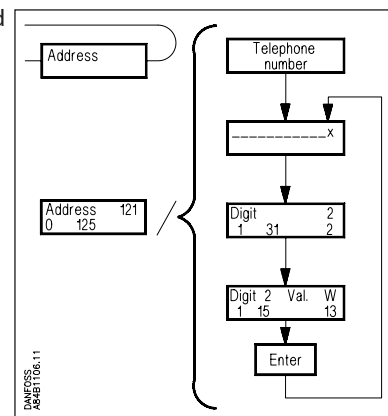
b) Modem (AKA 243/244 only)

Display and setting of the "Address" field for a selected line in the router table. Selection of port number =

- 1: Address number of the unit the datagram is to be sent to in the network is indicated here
- 2: The telephone number the modem is to call is indicated here.

"Telephone number"
Access display

" _____ x"



The actual telephone number for the selected line in the router table. The telephone number may consist of up to max. 30 significant digits composed of figures and modem codes. All telephone numbers must be terminated with 'x' (see below).

"Digit"

Selection of digit to be keyed/changed. Only one digit is selected.

"Digit xx Value."

Digits/codes that can be keyed:

The figures 0... 9 are digits of the telephone number.

Figures above 10 are modem codes.

For a description of the codes, see the modem manual.

0... 9

10 = x: End of telephone number

11 = P: Pulse signalling

12 = T: Tone signalling

13 = W: Wait for new dial tone

14 = ,: Pause for 2 seconds

15 = %n: Modifies baud rate

16 = *: Special character for private switching system

17 = #: Special character for private switching system

Example:

0W 12 34 56 WP 78 9x

where the digits have the following significance:

0 "get a public line"

W "wait for new dial tone"

1 - 6 "phone number 123456"

W "wait for new dial tone"

P "choose pulse signalling"

7 - 9 "through-call to extension 789"

x "end of telephone number"

c) TCP/IP

Setting performed as for modem. Just set an IP address instead of a telephone number.

2) RS232 Port (PC Port)

The setup depends on the setting in the gateway type:

PC

"RS 232 Speed"

Display of the communication speed on the RS 232 line, and access display for settings.

"Change speed"

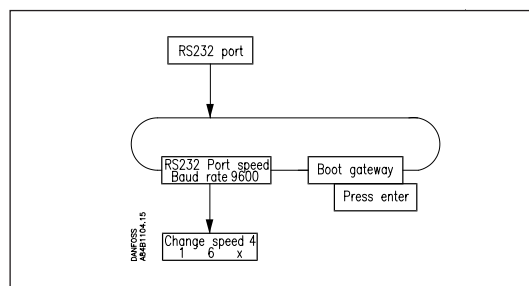
The required communication speed is set here.

- 1: 1200 Baud
- 2: 2400 Baud
- 3: 4800 Baud
- 4: 9600 Baud (factory setting)
- 5: 19200 Baud
- 6: 38400 Baud

Re selection of communication speed, see the PC manual/software application manual.

"Boot gateway"

When changes have been made in the unit's communication settings, they have to be stored in the unit's memory. Activate the "Boot Gateway" function. Now **Wait** about 30 seconds. The new settings will now be active.



Modem and TCP/IP

"Lifetime"

This is the period during which a gateway maintains a connection after a datagram has been transmitted via the line.

Selection of this parameter is based on the point of view that there should be time for the answer datagram to be returned during the same connection. The time is set in seconds (e.g. 10 sec.).

"RS 232 Port speed"

Display of communication speed, and access to settings.

"Changed speed"

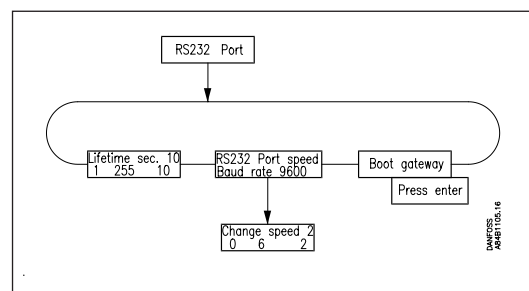
The required communication speed is set here.

- 0 = 300 Baud
- 1 = 1200 Baud
- 2 = 2400 Baud
- 3 = 4800 Baud
- 4 = 9600 Baud (factory setting)
- 5 = 19200 Baud
- 6 = 38400 Baud

Re selection of communication speed, see the modem manual.

"Boot gateway"

When changes have been made in the unit's communication settings, they have to be stored in the unit's memory. Activate the "Boot Gateway" function. Now **Wait** about 30 seconds. The new settings will now be active.



3) LON Port

Only on AKA 243.

This function is used if the gateway has been changed or updated with a new software version. The function replaces the activation of menu 004 in all EKC controllers as well as activation of "Service pin" in an AK 2 controller.

Routing

This section contains a more detailed description of the router setting on page 28.

General

The DANBUSS system is a so-called compact coupled network. This means that information is transmitted through the system as single messages, also referred to as datagrams. To ensure that the datagrams reach the correct receivers in systems with many connected units, the transmitter must enter the receiver's address in the datagram. It is now up to the router in the DANBUSS system to direct the datagram to the correct receiver.

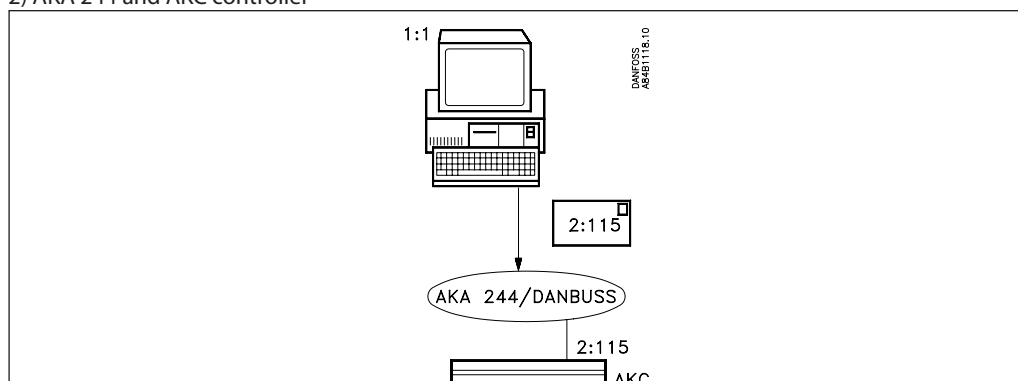
To enable the router to distinguish between the individual units connected to the DANBUSS system, each unit must be given a DANBUSS system address. This system address is written in the "Network:Address" mode, where "Network" is the network number and "Address" the address of the unit in question. "Network" can assume values in the range 0-255. "Address" can assume values in the range 1-125.

It is important that all units on the same network have the same network number.

Example:

The example shows a system consisting of two networks.

- 1) PC connected to AKA 244
- 2) AKA 244 and AKC controller



1:1 means network number 1 with address 1.

2:115 means network number 2 with address 115.

The example shows 1:1 sending a datagram addressed to 2:115. The datagram is delivered to DANBUSS who will now be responsible for the transmission.

Routertable

To ensure that datagrams are sent to the correct receiver, the system must contain information about the composition of the DANBUSS network (the network may consist of several interconnected networks). Information about the composition of the DANBUSS network must be entered in the so-called router tables.

There must in principle be router tables in all units that are connected to DANBUSS. Certain units, like AKC controllers, can however do without them. To enable communication in systems with several networks, there must be at least one router table in each network. The gateway enables you to set up one or more router tables.

A router table may have a varying number of lines. In the example shown below there is one line. The table always consists of four fields when operation takes place with AKA 21: "Lower Limit", "Upper Limit", "Port No.", and "Address".

1	2	3	4
Lower limit	Upper limit	Port No.	Address/ Telephone no/ IP Address
1	1	2	

In principle the fields indicate the following:

Fields 1 and 2: a group of units capable of receiving / sending a message.

Field 3: the direction in which the message is to be sent.

Field 4: indicates the unit which is the next receiver of the message. From this position the following may happen:

- 1) The message is sent on to another network (in which case a new router has to be established with a new port and a new address).
- 2) The message is sent to a PC on the RS 232 output.

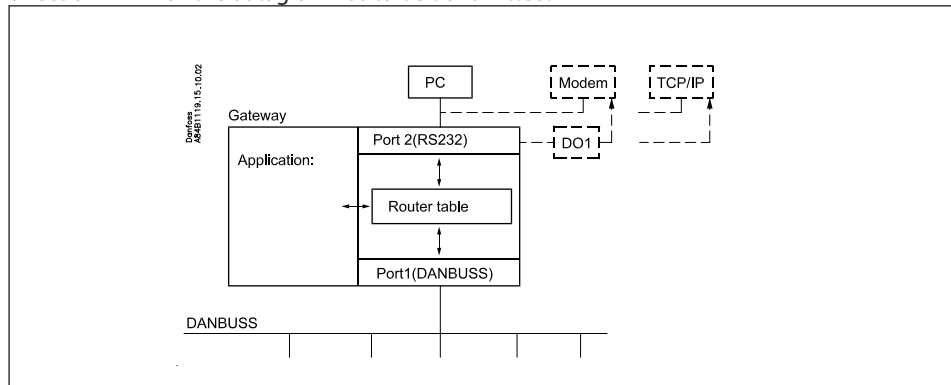
Below follows a more detailed description of the fields.

Field 1 + 2: "Lower Limit", "Upper Limit"

These are network no. which together indicate an interval range between a lower and an upper network limit.

Field no. 3: "Port No."

There are two ports through which datagrams can be directed. "Port No." indicates the direction in which the datagram has to be transmitted.



Port 1: Access to units connected to DANBUSS

Port 2: Access to either a PC, a modem or a TCP/IP server.

Field 4: "Address"

The contents depend on what was specified in the field "Port No.":

If "Port No." = 1 (DANBUSS):

An address is indicated for the next receiver of the datagram. This may either be the final receiver for whom the datagram was intended, or it may be the address of another AKA 244, say, a modem gateway that has to re-transmit the datagram.

If "Port No." = 2 (RS 232):

At connection to a PC no address has to be entered, as only one PC can be connected. In operation via the control panel the menu system will automatically detect this, and it will not be possible to key an address.

On modem gateway or TCP/IP server you key the telephone number (in the field "Address") that is to be called or the actual IP address.

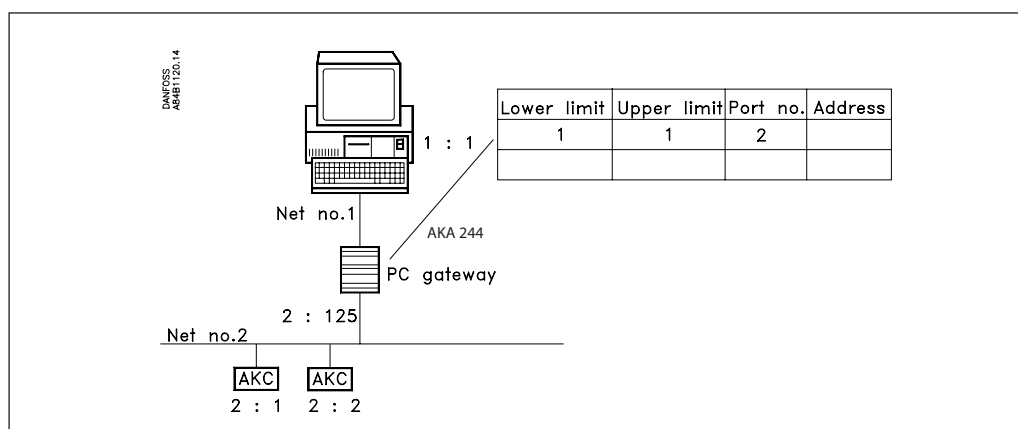
Function

When an AKA 243/244 receives a datagram that has to be re-transmitted to an AKC controller, for example, the gateway checks its router table to see where this AKC is placed. It is either placed in the same network as the gateway, or it is placed in another network. In the former case, the gateway can send the datagram directly to the final receiver. In the latter case, the gateway must send the datagram to another AKA 243/244 which will then re-transmit the datagram.

The access key to the router table is the system address (Network : Address) of the receiver of the datagram.

Example 1.

A system consists of a PC on network 1, and two AKC controllers on network 2.
 The AKC's are addressed with 2:1 and 2:2, respectively.
 The PC is addressed with 1:1.
 AKA 244 is addressed with 2:125 (and this makes it the DANBUSS Master).

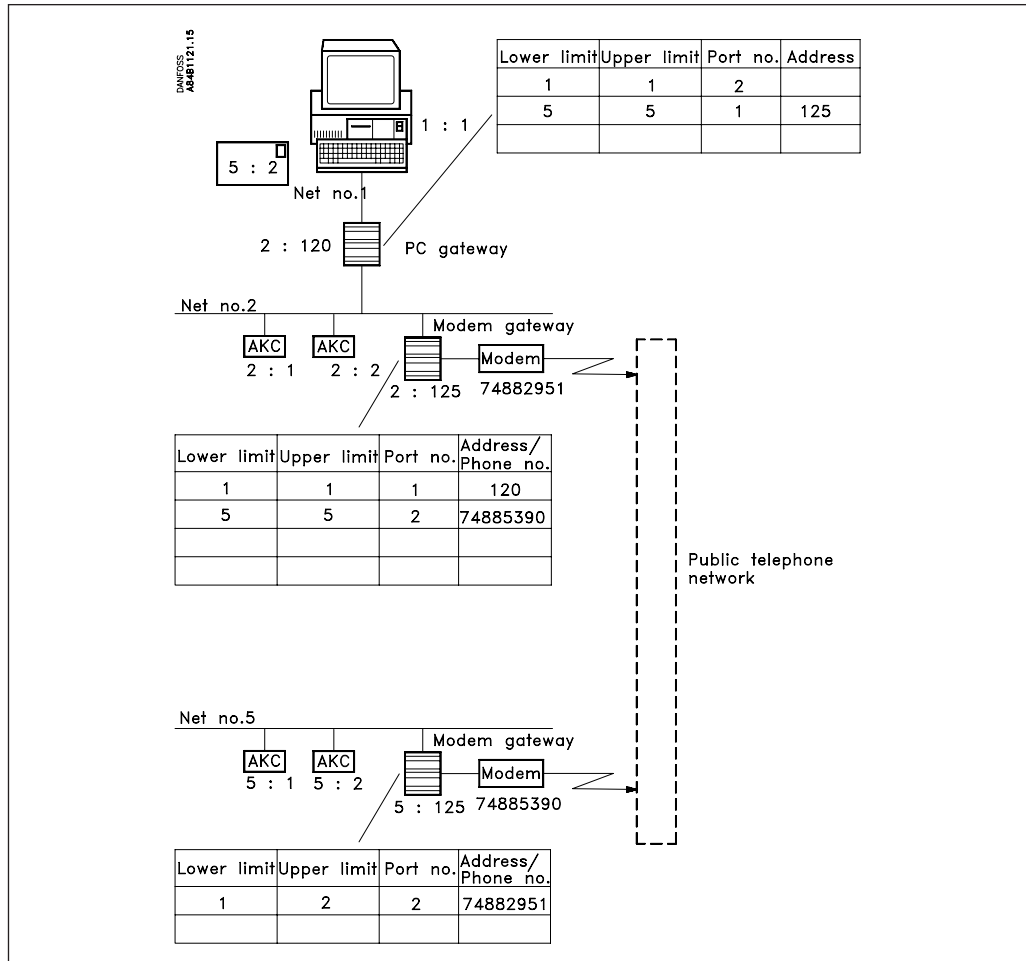


The PC wants to send a message to the AKC with system address 2:1.
 The datagram is first sent to AKA 244 who checks its router table to see where the datagram has to be routed.
 As the controller is on the same network as the master gateway, it will transmit directly to the controller (a router line will not be required).

The router lines shown are needed to allow messages to be sent from the AKC controllers to the PC.

Example 2.

A system consists of a PC in network No. 1, a PC gateway, two AKC controllers and a modem gateway in network No. 2.
 Network 5 consists of one more modem gateway as well as two AKC controllers.
 The AKC controllers are addressed with 2:1, 2:2, 5:1 and 5:2, respectively.
 The PC gateway is addressed with 2:120.
 The two modem gateways are addressed with 2:125 and 5:125. So in both networks it is the modem gateway which is the Master.
 The PC is addressed with 1:1.



The PC will now send a message to the AKC unit which is addressed 5:2.

The datagram is first sent to the PC gateway which checks in its router table to see where the datagram has to go.

In checking the router table the PC gateway will look for the line in the table where the receiver's network are contained. This requirement has been fulfilled by line 2, as it indicates the network No. 5. After the "Port No." field has been read, the datagram is directed out of gate 1 which is DANBUSS. After furthermore having read the "Address" field, it will be seen that the datagram is to be sent to address 125 which in this case is a modem gateway.

The modem gateway receives the datagram and checks its router table. Line 2 here indicates the network 5. By reading the "Port No." field, the datagram is directed out of gate 2 which is the modem. By furthermore reading the "Address" field it will be seen that a telephone number will have to be called.

Modem gateway (2:125) transmits the datagram to modem gateway (5:125) in the other network. This will now check its router table and find that it is on its own network. The datagram is now transmitted straight to the AKC controller for which it was intended.

For answers use the router lines again. But now from the other side.

The router tables need not be changed, until a new network has to be included.

When a gateway checks its router table, it will always look from line 1 and downward. The first line containing a usable network for a given receiver system address will be used. Subsequent lines that may contain the same receiver system address will not be detected.

As router tables in several gateways have to co-operate on the conveyance of messages in a DANBUSS system, there must be care taken in the setup of these. Errors resulting in datagrams not reaching the correct receivers will not trigger an alarm.

Make sure that you have an easily legible list of addresses and network numbers on all relevant gateways and PC's before establishment of router lines is commenced!

Don't forget that messages are also returned in the system.!

Repeat routines for alarm handling

Depending on who has been selected to receive alarms, AKA 243/244 will have the following repeat routines if it cannot get in touch with the receivers:

Setting of "AKA send alarm to":

"System address NNN:AAA"

If an alarm message cannot be delivered within five minutes, it will be retransmitted every fifth minute until it can be delivered.

If more alarms are received before the oldest alarm is delivered, nothing is done about it. Alarm No. 250 will trigger the system alarm "Alarm list overflow", and the gateway can then receive no more alarms from the controllers. Alarm relay DO2 will now be activated every fifth minute (each time the oldest alarm is retransmitted).

When an alarm has been delivered, it will become history in the alarm list, and the next one will now be the oldest active alarm.

"AKA alarm table"

The following repeat routine will be performed in connection with alarm routing and when the alarm is not delivered.

Start	Normal attempt / Pri.	Pause in minutes: / after taht, repeat attempt: / to destination Primary or Alternative:									
		5 / 1 / Pri.	5 / 2 / Alt	5 / 3 / Alt	5 / 4 / Pri.	5 / 5 / Pri.	5 / 6 / Alt	5 / 7 / Alt	5 / 8 / Pri	5 / 9 / Pri.	5 / 10 / Alt

When the alarm has been delivered to a primary or alternative alarm receiver, a copy will be transmitted to the copy receiver, if such a receiver has been defined.

If the copy alarm cannot be delivered, it will also be repeated every five minutes. This situation will not stop the gateway from transmitting Pri./Alt. alarms, until all 249 spaces have been used.

Data collection takes up this much room

When a log is established in an AKA 243/244 master gateway, room is set aside for data. Just how much room is reserved is determined by various parameters.

The amount of room that will be reserved can be seen when new logs are established.

Example:

Only Food Safety logs are collected.

If six parameters from 20 controllers with one hour time interval are logged, the gateway will have a storage capacity of 540 hours (22½ days and nights) which is 48.5% utilisation of the storage capacity.

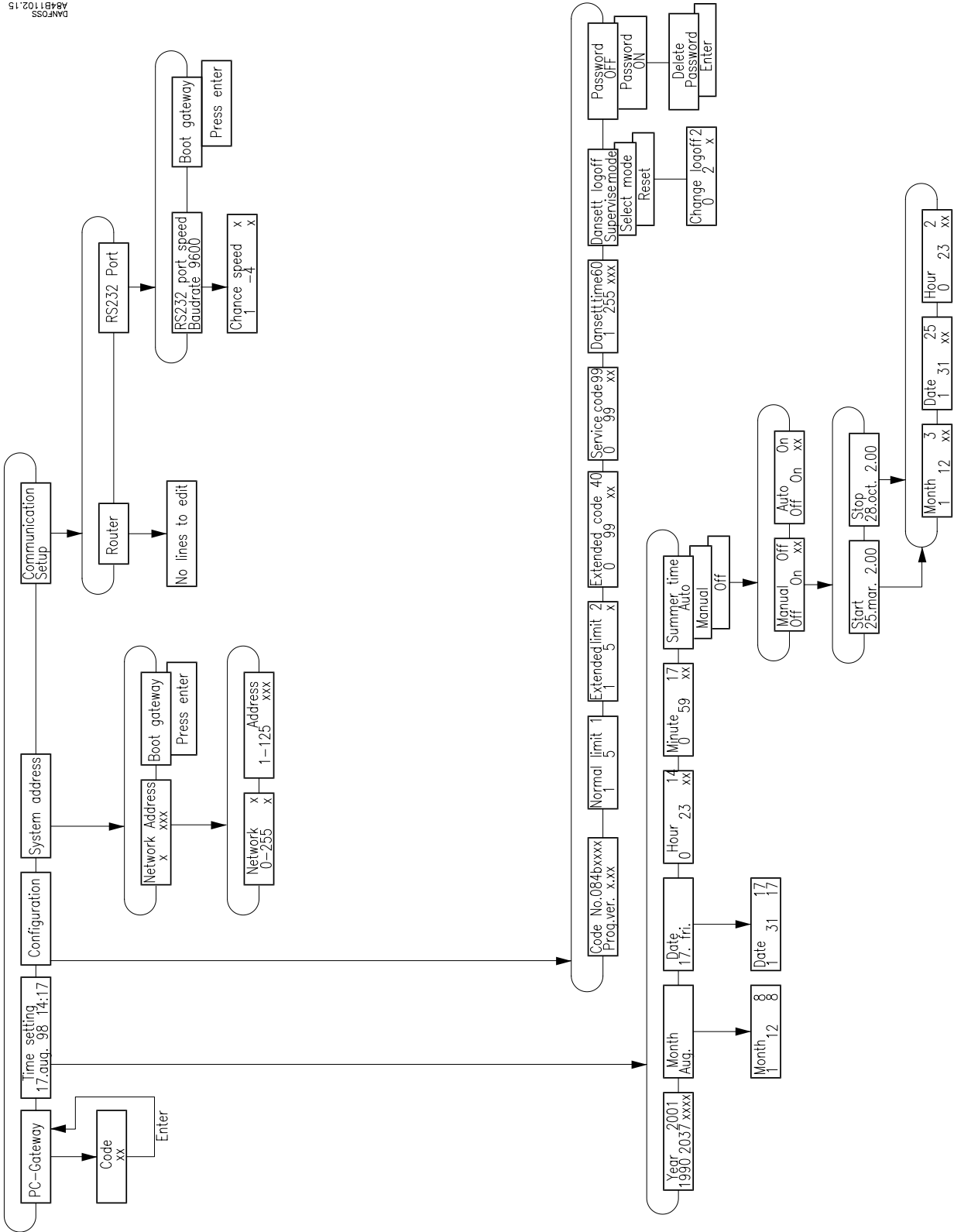
After the 540 hours the oldest data will be overwritten by new data.

Below examples are given of three system sizes with different log definition options:

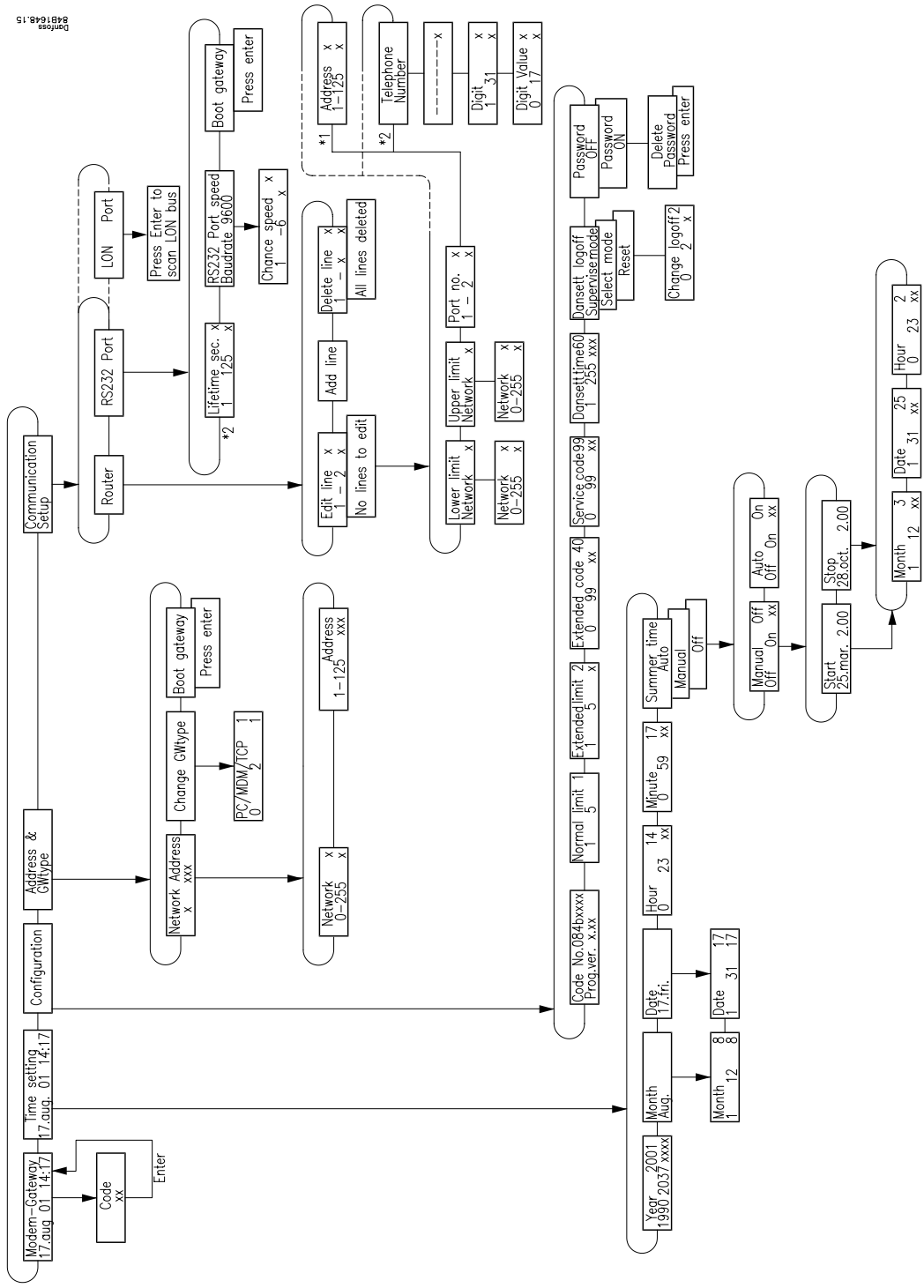
Number of controllers	Log type		Number of logs	Number of parameters per log	Time interval	Period of time	Utilised capacity (%)	
							One type	Combination
20	One type	Food Safety	20	6	1 h	540 h	48.5	46
			20	12	4 h	960 h	44	
	Combination	Food Safety	20	6	1 h	180 h	17	
			AKA Service	4	13	1 min.	12 h	
50	One type	Food Safety	50	6	1 h	216 h	50	42.5
			50	6	4 h	864 h	50	
	Combination	Food Safety	50	6	4 h	360 h	21	
			AKA Service	6	13	1 min.	6 h	
100	One type	Food Safety	100	6	1 h	100 h	46	46.5
			100	6	4 h	360 h	42	
	Combination	Food Safety	100	8	4 h	120 h	19	
			AKA Service	10	10	2 min.	12 h	

Address	All units in a network are given an address. The address only concerns the network in which the unit is mounted. In each network there must only be one unit with the same address. Addresses in the range 1 - 125 can be assigned (except 124).
Baud	Unit indicating data communication speed.
DANBUSS	A data communication system developed by Danfoss A/S for communication between units.
DANBUSS datalink Master	<p>Det er den enhed, der har Masterfunktionen på et bestemt netværk (datalink), og foretager The unit with the master function in a given network (datalink), handling the polling sequence. The unit carrying out the master function in a network always has address No. 125. This will typically be an AKA 244 gateway.</p> <p>Only one unit in a network can be designated as master. If there are no AKA 243/244 units in the network, AKA 21 will automatically be the master.</p>
Datagram	<p>This is a packet with a message transmitted via DANBUSS. It could for instance be an enquiry about a certain parameter, a new reference value for a controller, the answer to an enquiry, etc.</p> <p>Datagrams in a DANBUSS system can max. comprise 127 bytes, 110 of which can be information.</p>
DCE	"Data Communicating Equipment". Modem arranged as DCE.
DTE	"Data Terminal Equipment". AKA 243/244 and PC's arranged as DTE.
Handshake	<p>Control signals on an interface, e.g. RS 232.</p> <p>The control signal sees to it that data communication takes place in a "disciplined" manner. If a handshake is to be used, both parties to the communication must agree on it.</p>
Network	<p>AKA 243/244 and up to max. 123 addressable units together constitute a network. A connection between a gateway and a PC is an independent network. A connection between a gateway and a modem is not an independent network.</p> <p>The DANBUSS system is a combination of several networks. The individual networks are given individual numbers. These numbers are entered in the DANBUSS system address. Network numbers can only be assigned in the range 0 - 255.</p>
Polling	<p>A method of maintaining "law and order" in a data communication system. One unit is nominated as master. This master will allow the other units time to communicate, one after the other. In this way only one message will be routed through DANBUSS at a time.</p>
Router	<p>The part that ensures that datagrams will be received by the correct party. In principle each unit in the DANBUSS system should contain a router function, but in certain cases one in each network will suffice. The router uses a table for routing the datagrams.</p>
Router table	<p>A table containing information as to how the DANBUSS system is composed as well as a telephone number at a modem gateway. The system operator has to encode these tables.</p>
System address	<p>An address identifying each individual unit in a complete DANBUSS system comprising one or several networks. The system address is composed of the network number and the address. It is written in the NETWORK:ADDRESS mode (Network:Address). Example: 1:2 where 1 is the network and 2 the address. 2:115 where 2 is the network and 115 the address.</p>

DANFOSS
A94B1102.15



Menu survey AKA 243/244



Danfoss 8481648.15

*1) For PC gateway only
 *2) For modem gateway only /TCP/IP

