

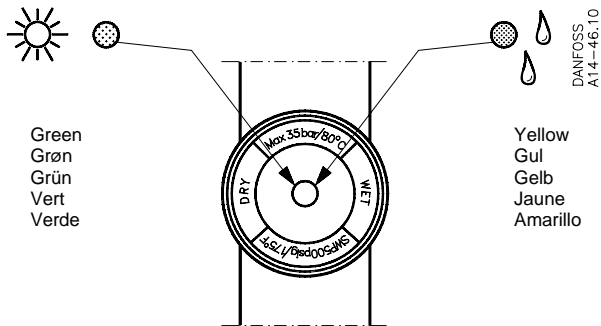
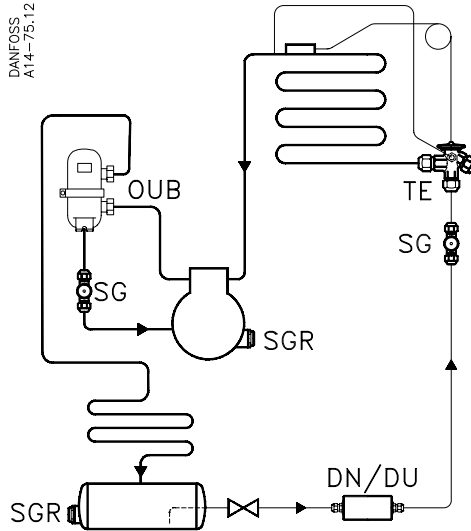
014R9572

HFC, HCFC, CFC

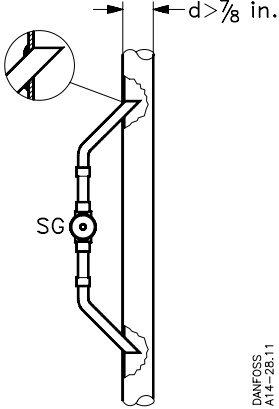
T: -50 → +80°C

PB/MWP		
SG	6 → 12	PB = 35 bar
SG	16s solder	PB = 35 bar
	16 flare	PB = 28 bar
SG	19 → 22	PB = 28 bar
SGR		PB = 35 bar

014R9572

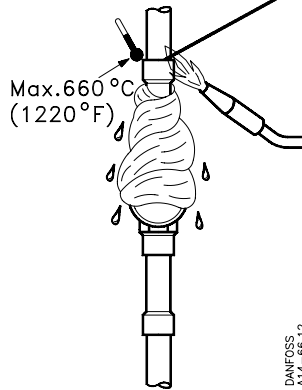


$d > 22 \text{ mm} - \frac{7}{8} \text{ in.}$



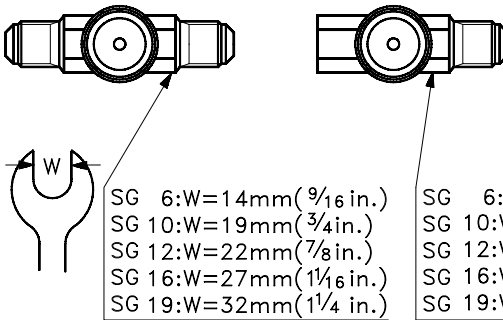
DANFOSS
A14-28.11

Silfoss 15
(15% silver)

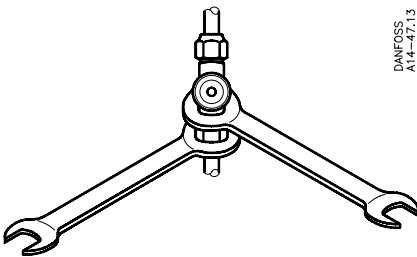


DANFOSS
A14-66.12

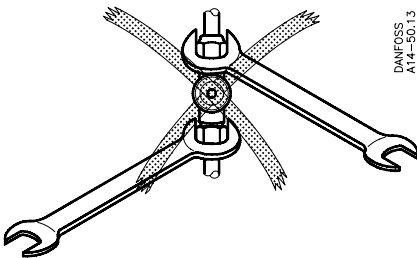
W



DANFOSS
A14-65.12

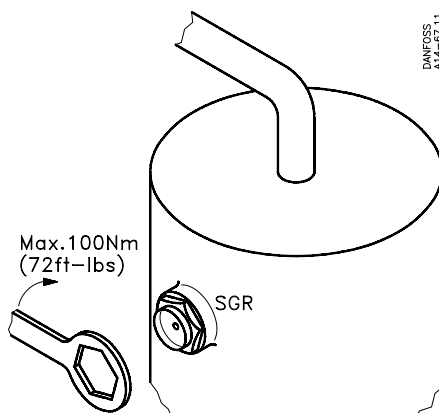


DANFOSS
A14-47.13



DANFOSS
A14-50.13

SG



DANFOSS
A14-67.11

SGR