

# TLES-K

## Energy-optimized Compressors

### R600a

### 220-240V 50Hz

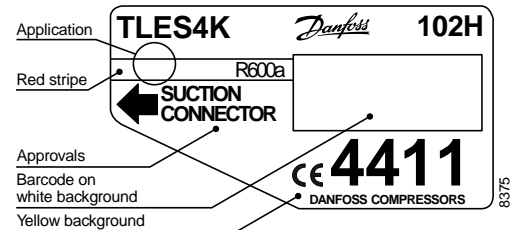
Data Sheet (Replaces CD.50.A3.02)

#### General

Compressor	<b>TLES4K</b>	<b>TLES5K</b>	<b>TLES6K</b>
Code number	102H4411	102H4511	102H4611

#### Application

Application		LBP/MBP	LBP
Evaporating temperature range	°C	-35 to 0	-35 to -10
Voltage range	V/Hz	198 - 254 /50	
Motor type		RSIR/RSCR	
Max. ambient temperature	°C	38	
Comp. cooling at ambient temp.	32°C	S	
	38°C	S	



- S = Static cooling normally sufficient
- O/F = Oil cooling or fan cooling 1.5 m/s norm. sufficient
- F = Fan cooling 3.0 m/s necessary

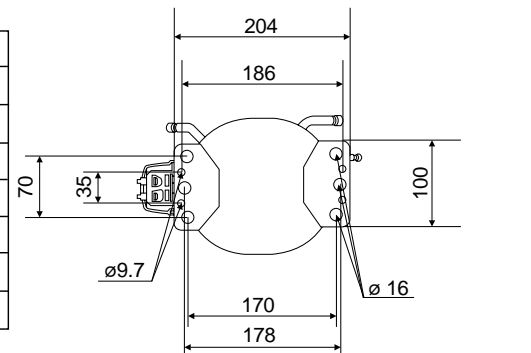
#### Design

Displacement	cm <sup>3</sup>	3.9	5.1	5.7
Oil quantity	cm <sup>3</sup>	180		
Maximum refrigerant charge	g	150		
Free gas vol. in compressor	cm <sup>3</sup>	1790		
Weight without electrical equipment	kg	7.4	7.5	



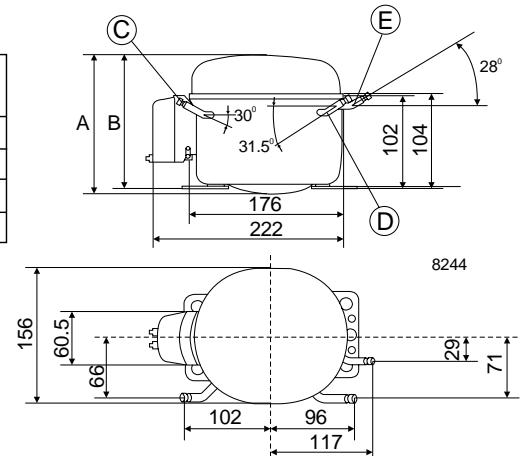
#### Motor

Motor size	watt	80	80	105
LRA (rated after 4 sec. UL984) LST	A	2.9	2.9	3.7
	alternative motor			2.9
Cut-in current LST	A	7.1	7.6	8.1
	alternative motor			6.7
Resistance, main and start winding (25°C) Ω		24.1/19.1	25.7/15.7	18.9/15.3
	alternative motor			27.7/18.6
Approvals		EN60 335-2-34		



#### Dimensions

Height	mm	A	170
		B	166
Suction connector	location/l.D. mm	C	6.2 ±0.09
Process connector	location/l.D. mm	D	6.2 ±0.09
Discharge connector	location/l.D. mm	E	5.0 +0.12/+0.20
Compressors on a pallet	pcs.		125



**Capacity (CECOMAF)**

watt

Comp.°C	-35	-30	-25	-23.3	-20	-15	-10	-5	0
TLES4K	17	27	38	42	50	63	77	92	108
TLES5K	25	37	53	59	72	95	121	151	184
TLES6K	33	47	64	70	84	107	133		

**Capacity (ASHRAE)**

watt

Comp.°C	-35	-30	-25	-23.3	-20	-15	-10	-5	0
TLES4K	21	33	46	51	61	77	94	112	132
TLES5K	30	45	64	72	88	116	148	184	224
TLES6K	40	57	78	86	102	130	162		

**Power consumption**

watt

Comp.°C	-35	-30	-25	-23.3	-20	-15	-10	-5	0
TLES4K	37	41	46	47	50	54	58	62	66
TLES5K	44	51	58	61	66	75	85	95	106
TLES6K	52	61	70	73	79	87	95		

**Current consumption**

A

Comp.°C	-35	-30	-25	-23.3	-20	-15	-10	-5	0
TLES4K	0.42	0.43	0.44	0.45	0.45	0.46	0.47	0.47	0.48
TLES5K	0.42	0.44	0.47	0.48	0.50	0.52	0.55	0.58	0.60
TLES6K	0.59	0.61	0.63	0.64	0.66	0.68	0.70		

**COP (CECOMAF)**

W/W

Comp.°C	-35	-30	-25	-23.3	-20	-15	-10	-5	0
TLES4K	0.46	0.65	0.83	0.89	1.00	1.16	1.32	1.48	1.63
TLES5K	0.57	0.73	0.91	0.97	1.09	1.26	1.43	1.59	1.73
TLES6K	0.63	0.77	0.91	0.97	1.07	1.23	1.40		

**COP (ASHRAE)**

W/W

Comp.°C	-35	-30	-25	-23.3	-20	-15	-10	-5	0
TLES4K	0.56	0.79	1.01	1.08	1.22	1.42	1.61	1.80	1.99
TLES5K	0.69	0.89	1.11	1.18	1.32	1.54	1.74	1.93	2.11
TLES6K	0.77	0.93	1.11	1.18	1.30	1.50	1.70		

Test conditions

Condensing temperature  
Ambient and suction gas temperature  
Liquid temperature  
Static cooling, 220V 50Hz,  
PTC consumption incl.

CECOMAF

55°C  
32°C  
55°C

ASHRAE

55°C  
32°C

**Accessories**

Devices	Fig.	TLES4K	TLES5K	TLES6K
PTC starting device 6.3 mm spades	a1		103N0011	
4.8 mm spades	(pos.1)		103N0018	
PTC starting device 6.3 mm spades	a1		103N0016	
4.8 mm spades	(pos.2)		103N0021	
Cover	b		103N2010	
Cord relief	d		103N1010	
Run capacitor 4 µF (optional)	e		117-7117	
6.3 mm spades			117-7119	
4.8 mm spades				
Protection screen for PTC	g		103N0476	
Mounting accessories				
Bolt joint for one compressor			118-1917	
Bolt joint in quantities			118-1918	
Snap-on in quantities			118-1919	

