

Nr. 5250

## HAKU tapping saddle with inner thread

for PE and PVC pipes DIN 8074 and EN 14522

### Standards

#### HAKU:

- For PE pipes according to EN 12201 and DIN 8074 and PVC pipes according to EN ISO 1452-2
- Internal thread according to ISO 228

### Construction features

#### CAUTION:

HAKU saddles 5250 with strap design (Ø250–Ø630) may only be used on PE pipes if an SDR class of  $\leq$  SDR 11 is maintained.

- The HAKU seal is in full contact with the entire diameter of the PE or PVC pipe and is glued onto the saddle for ease of assembly
- Several concentric seals with increasing diameter surround the outlet, relieving pressure exerted upon the drill hole and protects it from Deformation
- The protective layer on PE pipes should be removed prior to mounting the saddle
- for drilling without pressure

#### Important NOTE:

If several pipe saddles (HAKU) are installed side by side, a minimum lateral distance of  $1 \times$ DN must be maintained between the saddles (or to flanges/sockets). For plant construction applications, it is recommended to consult with Hawle application engineering.

- Hawle products with internal threads are equipped with an anti-corrosion ring to prevent corrosion



**Nr. 5250**

## **HAKU tapping saddle with inner thread**

for PE and PVC pipes DIN 8074 and EN 14522

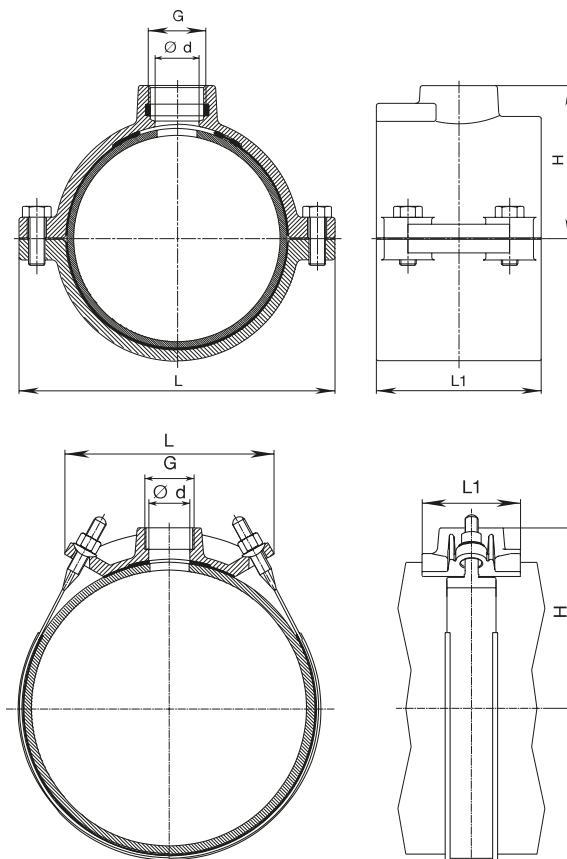
### **Materials**

<b>Saddle body</b>	<ul style="list-style-type: none"> <li>• Ductile iron: EN-GJS-400-15 according to EN 1563</li> <li>• Epoxy powder coated inside and outside: According to EN 14901 and DIN 3476-1 in due consideration of the RAL-GZ 662 quality and testing requirements:             <ul style="list-style-type: none"> <li>- coating thickness: min. 250 µm</li> <li>- zero porosity: min. 3000 V spark test</li> <li>- adhesion: min. 16 N/mm<sup>2</sup></li> </ul> </li> </ul>
<b>Seals</b>	made of elastomer
<b>Bolts and washers</b>	(Molybdenum-coated) made of stainless steel
<b>Corrosion protection ring</b>	made of elastomer

Nr. 5250

## HAKU tapping saddle with inner thread

for PE and PVC pipes DIN 8074 and EN 14522



DN	PN	Weight	H	L	L1	Ød
D40-IG1"	PN16	1.05	42	98	70	27
D50-IG1"	PN16	1.2	56	110	80	27
D63-IG1"	PN16	1.7	57	124	100	27
D63-IG1¼"	PN16	1.77	62	124	100	33
D63-IG1½"	PN16	1.8	62	124	100	40
D63-IG2"	PN16	2.09	68	124	100	40
D75-IG1"	PN16	1.88	63	135	110	27
D75-IG1¼"	PN16	2	68	135	110	33
D75-IG1½"	PN16	2.8	68	135	110	40
D75-IG2"	PN16	2.2	73	135	110	50
D90-IG1"	PN16	2.6	71	150	110	27
D90-IG1¼"	PN16	2.7	75	150	110	33
D90-IG1½"	PN16	2.6	75	150	110	40
D90-IG2"	PN16	2.7	80	150	110	50
D110-IG1"	PN16	2.81	81	170	120	27
D110-IG1¼"	PN16	3	85	170	120	33
D110-IG1½"	PN16	2.94	85	170	120	40
D110-IG2"	PN16	3.15	90	170	120	50
D125-IG1"	PN16	3.7	87	192	120	27
D125-IG1¼"	PN16	3.7	93	192	120	33
D125-IG1½"	PN16	4.15	93	192	120	40
D125-IG2"	PN16	4.1	98	192	120	50

## HAKU tapping saddle with inner thread

for PE and PVC pipes DIN 8074 and EN 14522

DN	PN	Weight	H	L	L1	Ød
D140-IG1"	PN16	3.96	96	208	120	27
D140-IG1¼"	PN16	4.2	100	208	120	33
D140-IG1½"	PN16	4.6	100	208	120	40
D140-IG2"	PN16	4.5	106	208	120	50
D160-IG1"	PN16	5.9	106	230	120	27
D160-IG1¼"	PN16	4.52	111	230	120	33
D160-IG1½"	PN16	4.7	111	230	120	40
D160-IG2"	PN16	4.7	116	230	120	50
D180-IG1"	PN16	5.69	125	262	120	27
D180-IG1¼"	PN16	5.2	125	262	120	33
D180-IG1½"	PN16	8.1	127	262	120	40
D180-IG2"	PN16	5.58	127	262	120	50
D200-IG1"	PN16	8.1	132	282	120	27
D200-IG1¼"	PN16	7.8	132	282	120	33
D200-IG1½"	PN16	6.06	137	282	120	40
D200-IG2"	PN16	5.89	137	282	120	50
D225-IG1"	PN16	6.3	143	310	120	27
D225-IG1¼"	PN16	6.44	145	310	120	33
D225-IG1½"	PN16	9.7	145	310	120	40
D225-IG2"	PN16	6.42	150	310	120	50
D250-IG1¼"	PN16	3.46	156	347	180	33
D250-IG1½"	PN16	12.55	163	347	180	40
D250-IG2"	PN16	3.31	163	347	180	50
D280-IG1"	PN16	3.43	176	204	120	27
D280-IG1¼"	PN16	3.7	176	204	120	33
D280-IG1½"	PN16	3.48	176	204	120	40
D280-IG2"	PN16	3.06	176	204	120	50
D315-IG1"	PN16	3.58	194	200	120	27
D315-IG1¼"	PN16	3.56	194	200	120	33
D315-IG1½"	PN16	3.39	194	200	120	40
D315-IG2"	PN16	3.5	194	200	120	50
D355-IG2"	PN16	4.04	220	270	120	50
D400-IG1½"	PN16	4.48	243	270	120	40
D400-IG2"	PN16	4.28	243	270	120	50
D450-IG1½"	PN16	1.98	268	235	120	40
D450-IG2"	PN16	4.28	268	235	120	50
D500-IG2"	PN16	5.31	292	255	120	50
D630-IG2"	PN16	5.5	342	255	120	50