

Nr. 3720

Shut-off adapter for tapping saddles

with thread outlet



Standards

Construction features

- Drilling under pressure with the shut-off system that has been tried and tested for decades
- This shut-off adapter can be used for under pressure Drilling with every type of standard saddle
- Note: The external thread is one size larger than the internal threaded outlet, except on the 2 "size, this to provide greater strenght
- Cover shut-offs with internal thread are fitted with a corrosion protection ring to prevent corrosion and incrustation
- All external threads must be protected according to Standard occupational procedure



Nr. 3720

Shut-off adapter for tapping saddles

with thread outlet

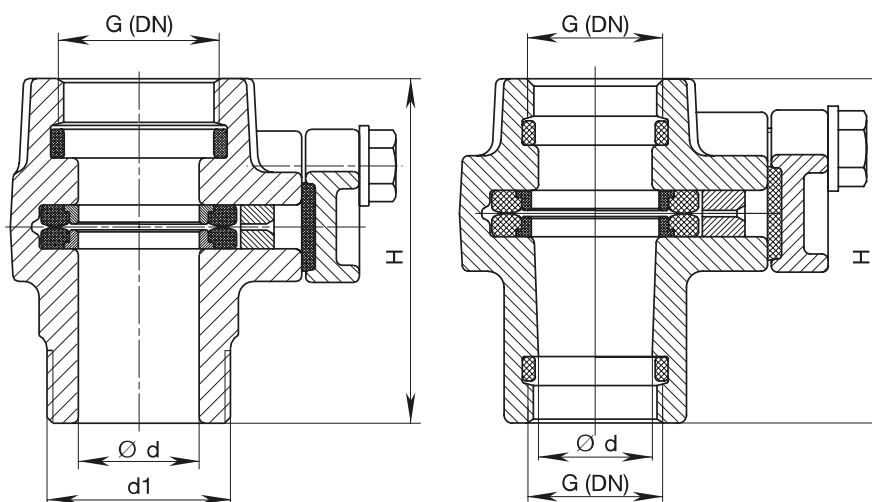
Materials

Body	Ductile iron, epoxy powder coated
Seal cover	POM, with rubber seal, fibre glass reinforced
Bolts and washers	Stainless steel
Seal and corrosion protection ring	Elastomer

Nr. 3720

Shut-off adapter for tapping saddles

with thread outlet



DN	PN	Weight	H	Ød
IG1"-IG1"	PN16	1.1	85	27
AG1¼"-IG1"	PN16	0.95	85	27
AG1¼"-IG1¼"	PN16	1.38	90	27
AG1½"-IG1¼"	PN16	1.1	90	31
AG2"-IG1½"	PN16	1.68	95	37
AG2"-IG2"	PN16	1.9	100	42

All illustrations, technical data, dimensions (in mm) and weights (all weights specified in kg) are non-binding. Subject to changes and printing errors